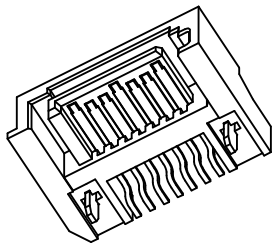
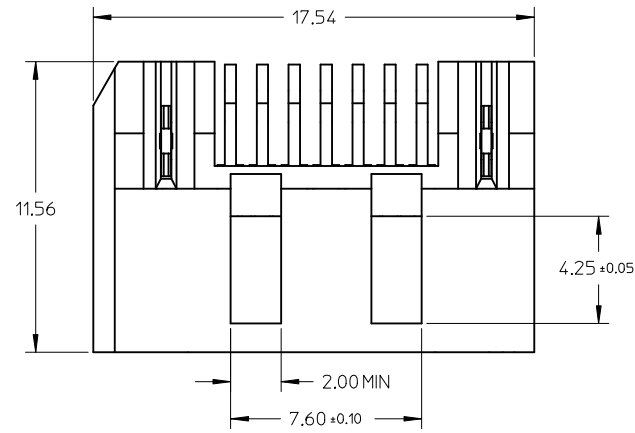


F

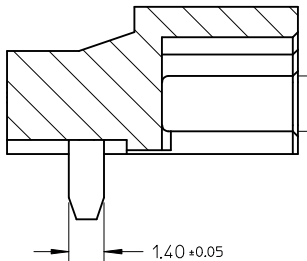
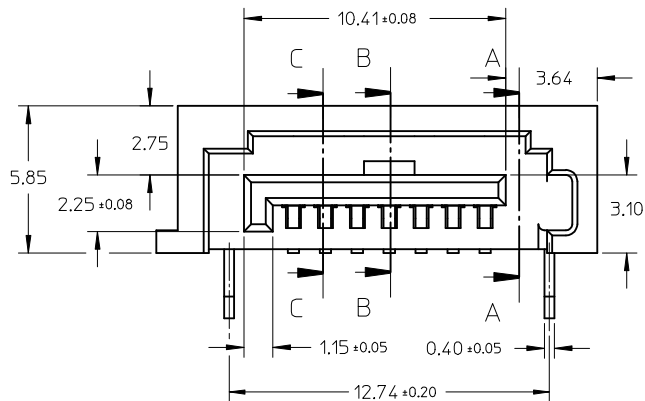


NOTES:

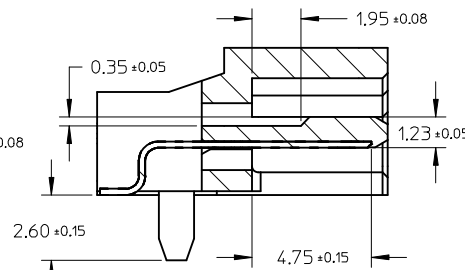
1. MATERIAL:  
HOUSING: HIGH TEMPERATURE PLASTIC, GLASS FILLED, UL94V-0, COLOR: SEE CHART;  
TERMINAL/PEG: COPPER ALLOY;  
MYLAR: ADHESIVE TAPE.
2. TERMINAL AND PEG PLATING:  
CONTACT AREA: GOLD PLATED ON 1.25 MICRONS MINIMUM NICKEL UNDER PLATE, REFERRED TO PLATING TYPE LIST IN TABLE;  
SOLDER AREA: 1.27 MICRONS PURE TIN PLATED ON 1.25 MICRONS MINIMUM NICKEL UNDER PLATE, REFERRED TO REMARK IN TABLE.
3. PRODUCT SPECIFICATION REFER TO PS-67490-001.
4. MATING PART: 67489.
5. PRODUCT COMPLIANT TO RoHS DIRECTIVE 2002/95/EC AND ELV 2000/53/EC.

E

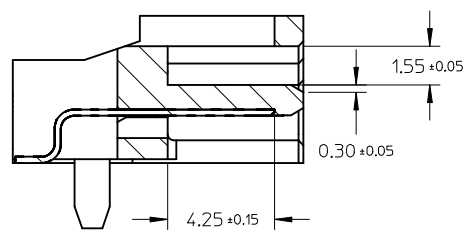
D



SECTION A-A



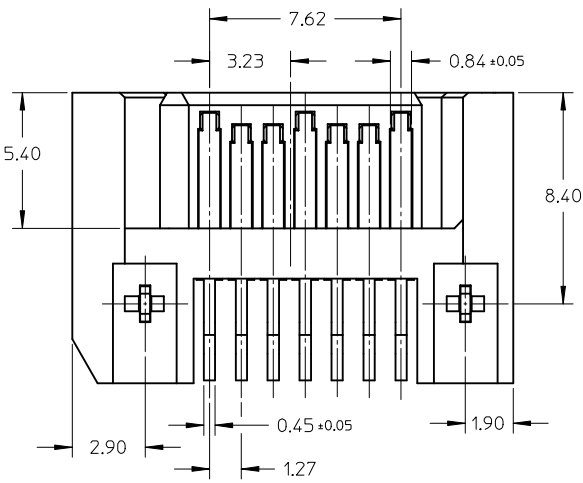
SECTION B-B



SECTION C-C

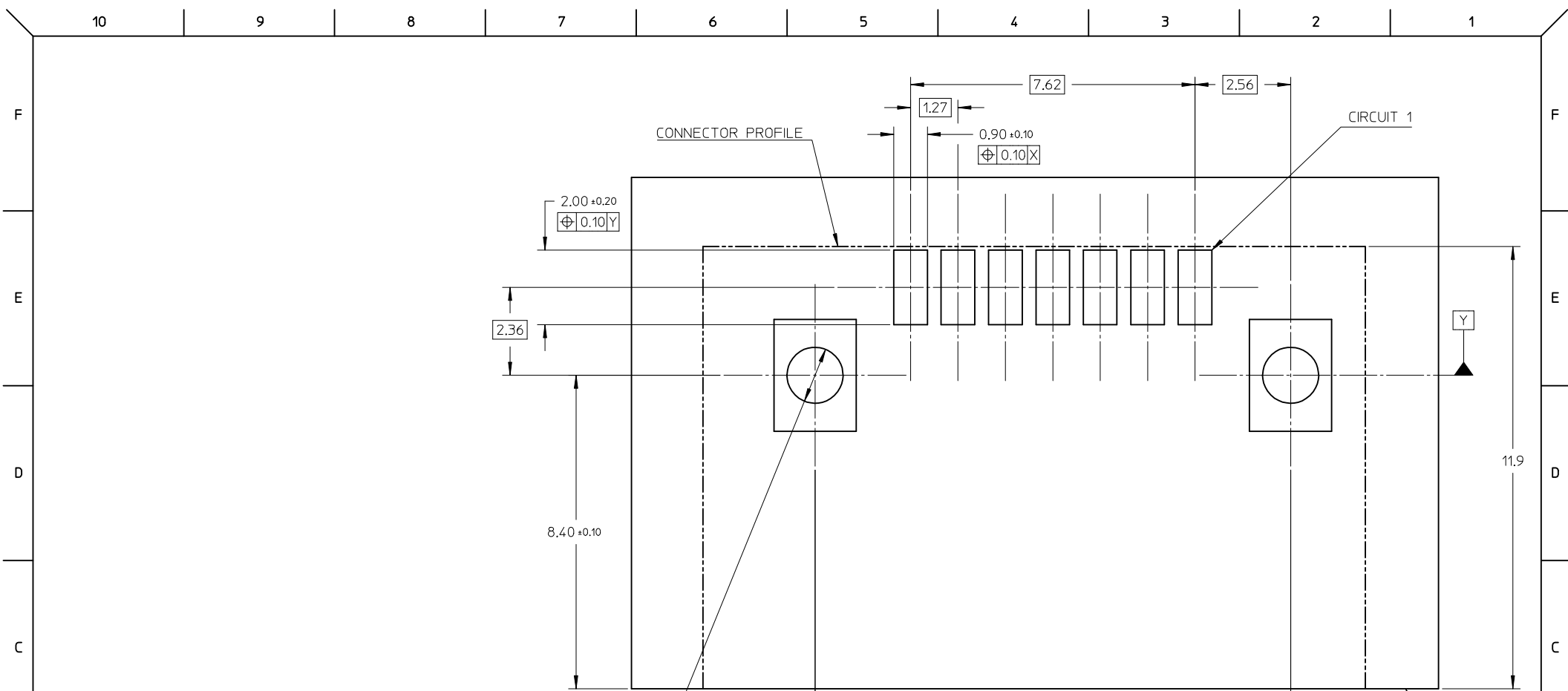
C

B



A

OBSOLETE PART EC NO: SH2012-0231 DRWG:GLLI CHKD:XOZHANG APPR:AYIN 2012/01/17 2012/01/17 2012/01/20	QUALITY SYMBOLS	GENERAL TOLERANCES (UNLESS SPECIFIED)	DIMENSION STYLE	SCALE	DESIGN UNITS	THIRD ANGLE PROJECTION
	▽=0 ◻=0	mm INCH 4 PLACES ± --- ± --- 3 PLACES ± --- ± --- 2 PLACES ± 0.15 ± --- 1 PLACE ± 0.25 ± --- ANGULAR ± 1°	MM ONLY	1:1	METRIC	
	DESCRIPTION	DRAFT WHERE APPLICABLE MUST REMAIN WITHIN DIMENSIONS	DRAWN BY DATE	TITLE		
	REV		VINCENT 2004/06/14	SATA SYSTEM PLUG PEG INSERT TYPE WITH SHROUD		
			APPROVED BY DATE	MOLEX INCORPORATED		
			VINCENT 2004/06/14	SD-47080-001		
			MATERIAL NO.	DOCUMENT NO.	SHEET NO.	
			SEE SHEET 2		1 OF 2	
			SIZE A3	THIS DRAWING CONTAINS INFORMATION THAT IS PROPRIETARY TO MOLEX INCORPORATED AND SHOULD NOT BE USED WITHOUT WRITTEN PERMISSION		



RECOMMENDED P.C.B LAYOUT  
THICKNESS: 1.60 +/- 0.05

PART NO	PLATING TYPE	PLASTIC COLOR	REMARK
47080-4001	GOLD FLASH	BLACK	BRIHGT TIN
47080-4002	GOLD PLATED 0.76 MICRONS		
47080-4005	GOLD PLATED 0.38 MICRONS		
47080-6001	GOLD FLASH	PROCESS BLUE C	BRIHGT TIN
47080-6002	GOLD PLATED 0.76 MICRONS	DELTA E<3	
47080-6005	GOLD PLATED 0.38 MICRONS		
47080-1010	GOLD FLASH	BLACK	
47080-1020	GOLD PLATED 0.76 MICRONS		
47080-1030	GOLD PLATED 0.38 MICRONS		
47080-2010	GOLD FLASH	NATURE COLOR	
47080-2020	GOLD PLATED 0.76 MICRONS		
47080-2030	GOLD PLATED 0.38 MICRONS		
47080-3010	GOLD FLASH	PROCESS BLUE C	MATTE TIN
47080-3020	GOLD PLATED 0.76 MICRONS	DELTA E<3	
47080-3030	GOLD PLATED 0.38 MICRONS		

OBSOLETE PART EC NO: SH2012-0231 DRAWN: GLL1 2012/01/17 CHKD: XZHZHANG 2012/01/17 APPR: AYIN 2012/01/20	QUALITY SYMBOLS ▽=0 ▽=0	GENERAL TOLERANCES (UNLESS SPECIFIED)		DIMENSION STYLE MM ONLY	SCALE 1:1	DESIGN UNITS METRIC	THIRD ANGLE PROJECTION		
		4 PLACES ± --- ± ---	3 PLACES ± --- ± ---	2 PLACES ± 0.15 ± ---	1 PLACE ± 0.25 ± ---	ANGULAR ± 1 °	DRAWN BY GRATE MA	DATE 2004/06/14	TITLE SATA SYSTEM PLUG PEG INSERT TYPE WITH SHROUD
		DRAFT WHERE APPLICABLE MUST REMAIN WITHIN DIMENSIONS		SEE TABLE		MATERIAL NO.	DOCUMENT NO.	MOLEX INCORPORATED	
						THIS DRAWING CONTAINS INFORMATION THAT IS PROPRIETARY TO MOLEX INCORPORATED AND SHOULD NOT BE USED WITHOUT WRITTEN PERMISSION		SHEET NO. 2 OF 2	