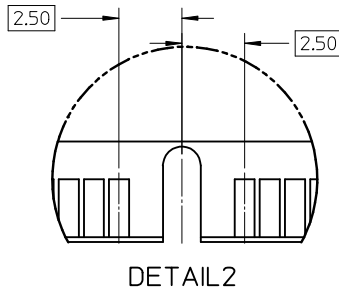
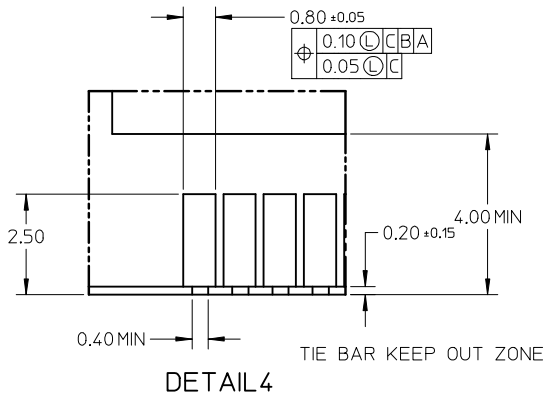
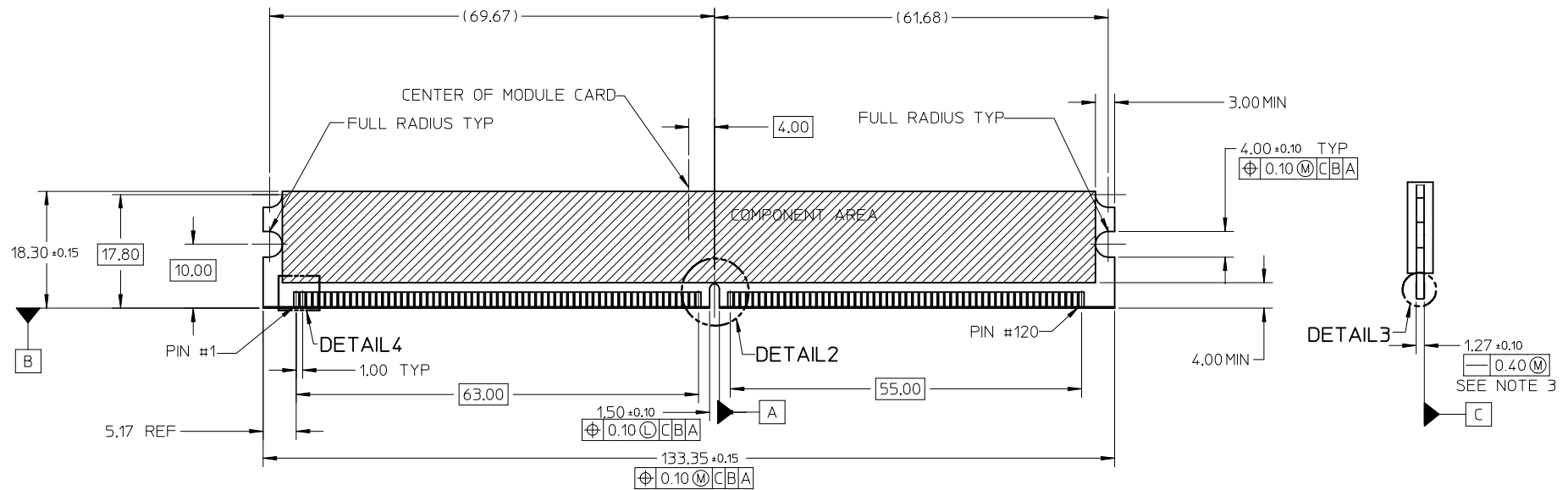


- NOTES:
- MATERIALS
HOUSING - HIGH TEMP NYLON GLASS FILLED, UL 94V-0,COLOR - BLACK
EJECTOR - HIGH TEMP NYLON 46, COLOR: BLACK
TERMINAL - PHOSPHOR BRONZE
 - PLATING - SEE TABLE IN SHEET 4.
 - CARD SLOT ACCEPTS 1.27±0.10MM MODULE THICKNESS.
 - RECOMMENDED MODULE LAYOUT SHALL BE AS PER JEDEC MO-237.
 - REFER TO PRODUCT SPEC. PS-78065-100 FOR PERFORMANCE SPECIFICATIONS.
 - PRODUCT SHALL BE PACKED IN TRAY.
 - PRODUCT SHALL HAVE DATE CODE STAMPED ON SIDE OF HOUSING.
 - KEEP OUT AREA IS THE AREA WHERE THE CONNECTOR IS MOUNTED ONTO THE PCB WHICH DOES NOT INCLUDE THE LATCH.
 - KEEP OUT ZONE AS PER JEDEC SO-001.
 - DIMM MODULE SEATING PLANE FROM TOP OF PCB.
 - CONTACT MOLEX FOR AVAILABILITY OF PRODUCT OPTIONS.
 - PART NUMBER SHALL BE MARKED LEGIBLY AS 78065-****.

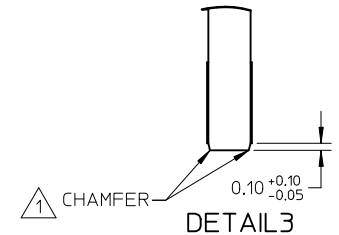
| | | | | | | | | | |
|--|---|---------------------------------------|--------------|----------------------------|-------------------------|--------------------|---|------------------------|--|
| OBS TIN/LEAD P/N EC NO: S2014-0373 DRWN:SKANG 2013/10/14 CHKD:MLONG 2014/01/27 APPR:MLONG 2014/02/06 | QUALITY SYMBOLS F _A =0 F _C =0 F _P =0 | GENERAL TOLERANCES (UNLESS SPECIFIED) | | DIMENSION STYLE MM ONLY | | SCALE NTS | DESIGN UNITS METRIC | THIRD ANGLE PROJECTION | |
| | | | mm | INCH | DRAWN BY VMANICKAM | DATE 2006/04/11 | TITLE VLP DDR2 DIMM, 1MM PITCH 240 CKTS, VERT. PRESSFIT | | |
| | | 4 PLACES | ± --- | ± --- | CHECKED BY SHLENI | DATE 2006/06/22 | molex | | |
| | | 3 PLACES | ± --- | ± --- | APPROVED BY SRRAMESH | DATE 2006/06/22 | | | |
| | ANGULAR ± 5 ° | | MATERIAL NO. | | DOCUMENT NO. | | SHEET NO. | | |
| | DRAFT WHERE APPLICABLE MUST REMAIN WITHIN DIMENSIONS | | SEE TABLE | | SD-78065-001 | | 1 OF 4 | | |
| | THIS DRAWING CONTAINS INFORMATION THAT IS PROPRIETARY TO MOLEX INCORPORATED AND SHOULD NOT BE USED WITHOUT WRITTEN PERMISSION | | | | | | | | |

10 9 8 7 6 5 4 3 2 1

RECOMMENDED MODULE LAYOUT



| KEY LOCATION | VOLTAGE |
|--------------|---------|
| CENTER | 1.8V |



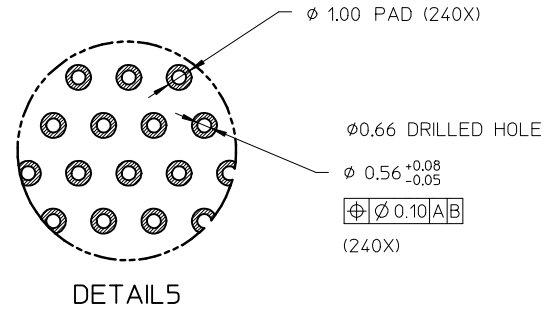
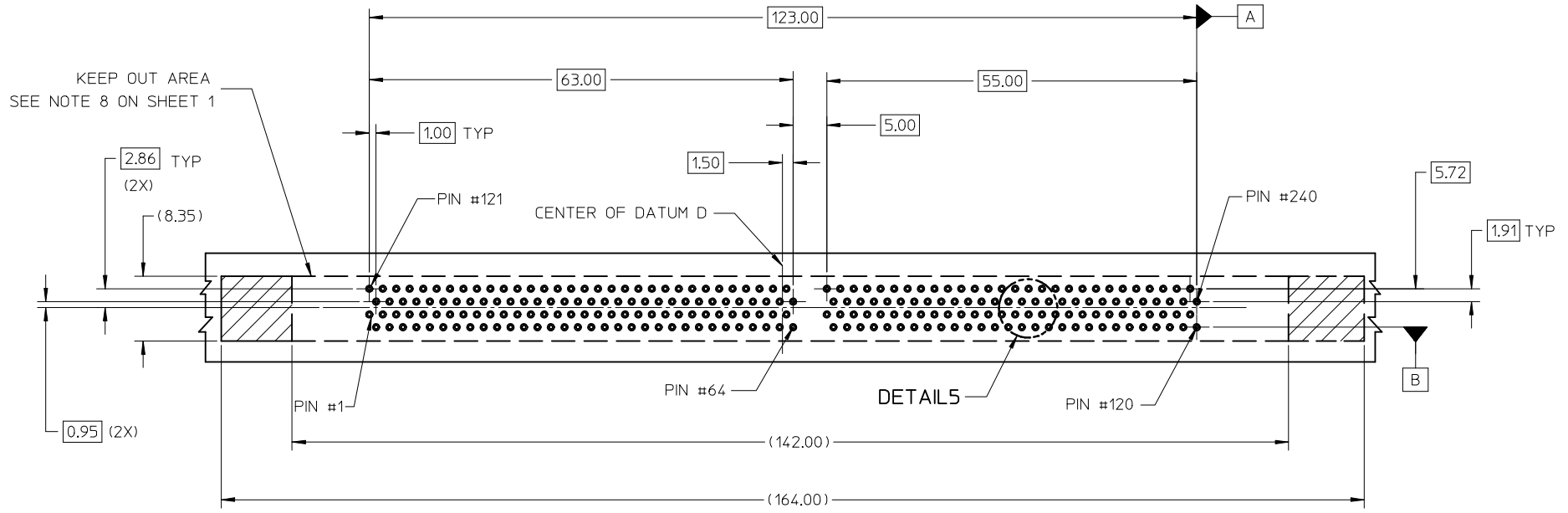
NOTES:
 1. MODULE CARD USED FOR TESTS ARE WITH 0.10MM CHAMFER.

| | | | | | | | | | | |
|---|--|--------------------|------------------|--|------|---|-----|--|------------------|------------------------|
| OBS EC NO: S2014-0373 DRW:SKANG CHKD:MLONG APPR:MLONG | TIN/LEAD P/N 2013/10/14 2014/01/27 2014/02/06 | DESCRIPTION REV | QUALITY SYMBOLS | GENERAL TOLERANCES (UNLESS SPECIFIED) | | DIMENSION STYLE | | SCALE | DESIGN UNITS | THIRD ANGLE PROJECTION |
| | | | $F_{\sigma} = 0$ | mm | INCH | MM ONLY | NTS | METRIC | | |
| | | | $F_{\sigma} = 0$ | DRAWN BY: VMANICKAM DATE: 2006/04/11 | | TILE | | VLP DDR2 DIMM, 1MM PITCH 240 CKTS, VERT. PRESSFIT | | |
| | | | $F_{\sigma} = 0$ | CHECKED BY: SHLENI DATE: 2006/06/22 | | APPROVED BY: SRRAMESH DATE: 2006/06/22 | | molex | | |
| | | | ANGULAR ± 5 ° | DRAFT WHERE APPLICABLE MUST REMAIN WITHIN DIMENSIONS | | SEE TABLE | | DOCUMENT NO. SD-78065-001 | SHEET NO. 2 OF 4 | |
| THIS DRAWING CONTAINS INFORMATION THAT IS PROPRIETARY TO MOLEX INCORPORATED AND SHOULD NOT BE USED WITHOUT WRITTEN PERMISSION | | | | | | SIZE A3 | | | | |

9 8 7 6 5 4 3 2 1

10 9 8 7 6 5 4 3 2 1


(SEE RECOMMENDED THICKNESS IN TABLE)
RECOMMEND PCB LAYOUT
CONNECTOR SIDE



| | | | | | | | | | | |
|--|---|---------------------------------------|-------|--|-------------------------|--|---|------------------------|--|--|
| OBS TIN/LEAD P/N EC NO: S2014-0373 DRWN:SKANG 2013/10/14 CHKD:MLONG 2014/01/27 APPR:MLONG 2014/02/06 | QUALITY SYMBOLS $\nabla_A = 0$ $\nabla_B = 0$ $\nabla_C = 0$ | GENERAL TOLERANCES (UNLESS SPECIFIED) | | DIMENSION STYLE MM ONLY | | SCALE NTS | DESIGN UNITS METRIC | THIRD ANGLE PROJECTION | | |
| | | | mm | INCH | DRAWN BY VMANICKAM | DATE 2006/04/11 | TITLE VLP DDR2 DIMM, 1MM PITCH 240 CKTS, VERT. PRESSFIT | | | |
| | | 4 PLACES | ± --- | ± --- | CHECKED BY SHLENI | DATE 2006/06/22 | molex DOCUMENT NO. SD-78065-001 SHEET NO. 3 OF 4 | | | |
| | | 3 PLACES | ± --- | ± --- | APPROVED BY SRRAMESH | DATE 2006/06/22 | | | | |
| | 2 PLACES | ± 0.20 | ± --- | MATERIAL NO. | | SEE TABLE | | | | |
| | 1 PLACE | ± --- | ± --- | ANGULAR ± 5 ° | | THIS DRAWING CONTAINS INFORMATION THAT IS PROPRIETARY TO MOLEX INCORPORATED AND SHOULD NOT BE USED WITHOUT WRITTEN PERMISSION | | | | |
| | 0 PLACE | ± | ± | DRAFT WHERE APPLICABLE MUST REMAIN WITHIN DIMENSIONS | | | | | | |

9 8 7 6 5 4 3 2 1

| PART NO. | VOLTAGE KEY POS. | VOLTAGE | DIM 'P' | RECOMMENDED PCB THICKNESS | CONTACT AREA PLATING OPTION | SOLDERTAIL PLATING OPTION | LATCH COLOR |
|------------|------------------|---------|---------|---------------------------|---|--|-------------|
| 78065-8001 | CENTER | 1.8V | 3.30 | 3.60 | 0.76MM/30MN MIN GOLD OVER 1.27MM/50MN MIN NICKEL UNDERPLATE | 0.38-1.52MM/15-60MN TIN OVER 1.27MM/50MN MIN NICKEL UNDERPLATE | BLACK |
| 78065-8002 | | | 4.20 | 4.57 | | | |

| | | | | | | | | |
|--|-----------------|---------------------------------------|--------|--|-------------------------|---|---|------------------------|
| OBS TIN/LEAD P/N EC NO: S2014-0373 DRWN:SKANG 2013/10/14 CHKD:MLONG 2014/01/27 APPR:MLONG 2014/02/06 | QUALITY SYMBOLS | GENERAL TOLERANCES (UNLESS SPECIFIED) | | DIMENSION STYLE MM ONLY | | SCALE NTS | DESIGN UNITS METRIC | THIRD ANGLE PROJECTION |
| | $\nabla_A = 0$ | 4 PLACES | mm | INCH | DRAWN BY VMANICKAM | DATE 2006/04/11 | TITLE VLP DDR2 DIMM, 1MM PITCH 240 CKTS, VERT. PRESSFIT | |
| | $\nabla_C = 0$ | 3 PLACES | ± --- | ± --- | CHECKED BY SHLENI | DATE 2006/06/22 |  | |
| | $\nabla_F = 0$ | 2 PLACES | ± 0.20 | ± --- | APPROVED BY SRRAMESH | DATE 2006/06/22 | | |
| | | 1 PLACE | ± --- | ± --- | MATERIAL NO. | DOCUMENT NO. | | |
| | 0 PLACE | ± | ± | SEE TABLE | | SD-78065-001 | SHEET NO. 4 OF 4 | |
| | | ANGULAR ± 5 ° | | DRAFT WHERE APPLICABLE MUST REMAIN WITHIN DIMENSIONS | | THIS DRAWING CONTAINS INFORMATION THAT IS PROPRIETARY TO MOLEX INCORPORATED AND SHOULD NOT BE USED WITHOUT WRITTEN PERMISSION | | |