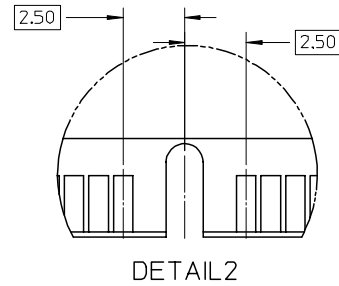
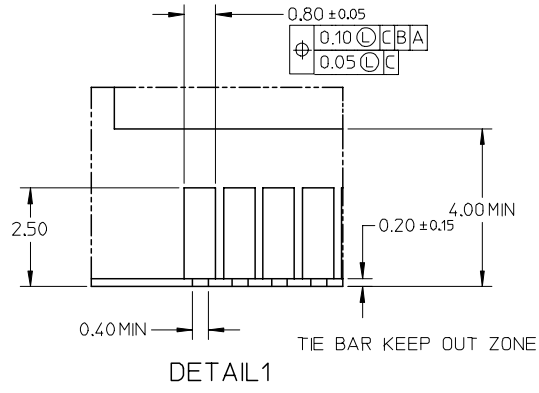
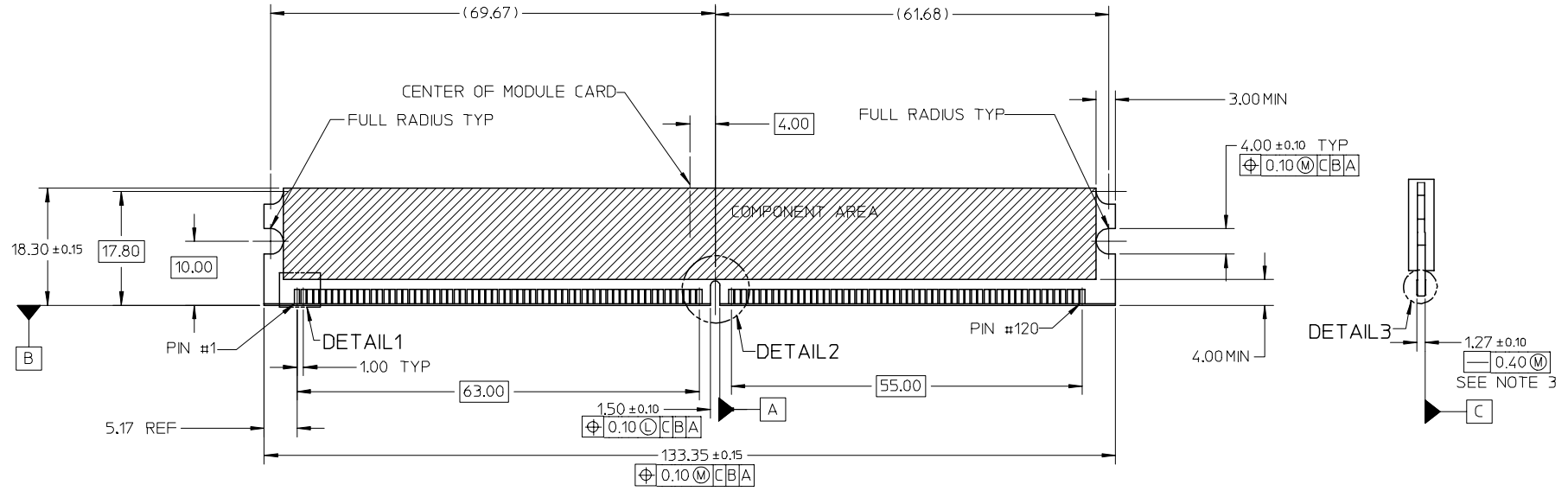


- NOTES:
- MATERIALS  
HOUSING - HIGH TEMP NYLON GLASS FILLED, UL 94V-0, COLOR - BLACK  
EJECTOR - HIGH TEMP NYLON 46, COLOR: BLACK  
TERMINAL - PHOSPHOR BRONZE
  - PLATING - SEE TABLE IN SHEET 4.
  - CARD SLOT ACCEPTS 1.27±0.10MM MODULE THICKNESS.
  - RECOMMENDED MODULE LAYOUT SHALL BE AS PER JEDEC MO-237.
  - REFER TO PRODUCT SPEC. PS-78065-100 FOR PERFORMANCE SPECIFICATIONS.
  - PRODUCT SHALL BE PACKED IN TRAY.
  - PRODUCT SHALL HAVE DATE CODE STAMPED ON SIDE OF HOUSING.
  - KEEP OUT AREA IS THE AREA WHERE THE CONNECTOR IS MOUNTED ONTO THE PCB WHICH DOES NOT INCLUDE THE LATCH.
  - KEEP OUT ZONE AS PER JEDEC S0-001.
  - DIMM MODULE SEATING PLANE FROM TOP OF PCB.
  - CONTACT MOLEX FOR AVAILABILITY OF PRODUCT OPTIONS.
  - PART NUMBER SHALL BE MARKED LEGIBLY AS 78065-\*\*\*\*.

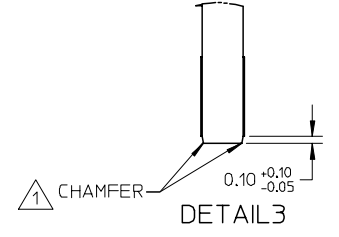
UPDATE M.C DWG EC NO: S2008-0319 DRWN:CMTEO CHKD:CCTEH APPR:SHLENI	REV A1	DESCRIPTION 2007/10/18 2007/10/19 2007/10/22	QUALITY SYMBOLS ▽=0 ▽C=0	GENERAL TOLERANCES (UNLESS SPECIFIED)		DIMENSION STYLE MM ONLY		SCALE NTS	DESIGN UNITS METRIC	THIRD ANGLE PROJECTION	
				4 PLACES ± --- ± ---	3 PLACES ± --- ± ---	2 PLACES ± 0.20 ± ---	1 PLACE ± --- ± ---	ANGULAR ± 5 °		DRAWN BY VMANICKAM	
				DRAFT WHERE APPLICABLE MUST REMAIN WITHIN DIMENSIONS		SEE TABLE		APPROVED BY SRRAMESH		DATE 2006/06/22	
						MATERIAL NO.		MOLEX INCORPORATED		DOCUMENT NO. SD-78065-001	
						SIZE A3		THIS DRAWING CONTAINS INFORMATION THAT IS PROPRIETARY TO MOLEX INCORPORATED AND SHOULD NOT BE USED WITHOUT WRITTEN PERMISSION		SHEET NO. 1 OF 4	

10 9 8 7 6 5 4 3 2 1

RECOMMENDED MODULE LAYOUT



KEY LOCATION	VOLTAGE
CENTER	1.8V



NOTES:  
 1. MODULE CARD USED FOR TESTS ARE WITH 0.10MM CHAMFER.

UPDATE M.C DWG	2007/10/18
EC NO: S2008-0319	2007/10/19
DRWN:CMTEO	2007/10/19
CHKD:CCTEH	2007/10/22
APPR:SHLENI	
REV	DESCRIPTION
A1	

QUALITY SYMBOLS	▽=0
	∇=0

GENERAL TOLERANCES (UNLESS SPECIFIED)	
mm	INCH
4 PLACES ± ---	± ---
3 PLACES ± ---	± ---
2 PLACES ± 0.20	± ---
1 PLACE ± ---	± ---
ANGULAR ± 5 °	
DRAFT WHERE APPLICABLE MUST REMAIN WITHIN DIMENSIONS	

DIMENSION STYLE	
MM ONLY	
DRAWN BY	DATE
VMANICKAM	2006/04/11
CHECKED BY	DATE
SHLENI	2006/06/22
APPROVED BY	DATE
SRRAMESH	2006/06/22
MATERIAL NO.	
SEE TABLE	
SIZE	A3

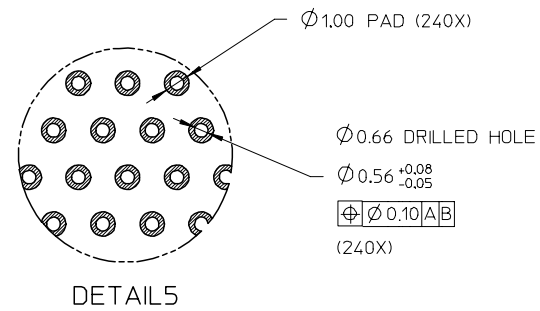
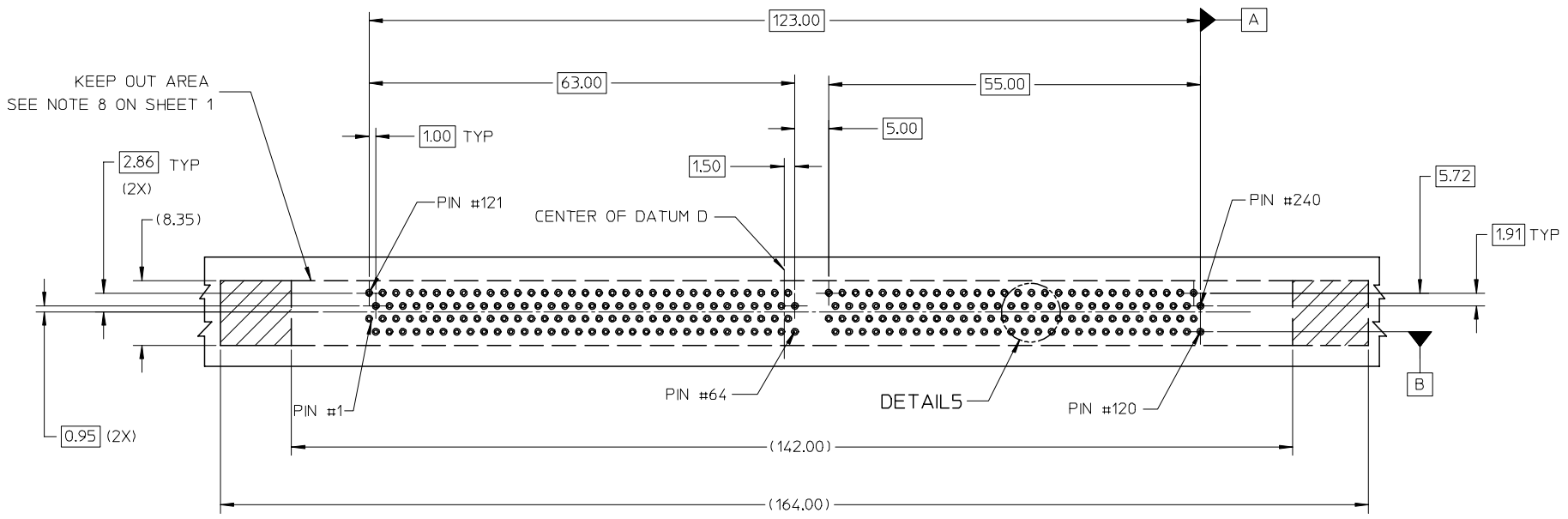
SCALE	NTS	DESIGN UNITS	METRIC	THIRD ANGLE PROJECTION
TITLE		VLP DDR2 DIMM, 1MM PITCH 240 CKTS, VERT. PRESSFIT		
MOLEX INCORPORATED		DOCUMENT NO. SD-78065-001		
SHEET NO. 2 OF 4				
THIS DRAWING CONTAINS INFORMATION THAT IS PROPRIETARY TO MOLEX INCORPORATED AND SHOULD NOT BE USED WITHOUT WRITTEN PERMISSION				

9 8 7 6 5 4 3 2 1

10 9 8 7 6 5 4 3 2 1

F  
E  
D  
C  
B  
A

(SEE RECOMMENDED THICKNESS IN TABLE)  
RECOMMEND PCB LAYOUT  
CONNECTOR SIDE



UPDATE M.C DWG EC NO: S2008-0319 DRWN:CMTEO 2007/10/18 CHKD:CCTEH 2007/10/19 APPR:SHLENI 2007/10/22	QUALITY SYMBOLS ▽=0 ▽=0	GENERAL TOLERANCES (UNLESS SPECIFIED)		DIMENSION STYLE MM ONLY		SCALE NTS	DESIGN UNITS METRIC	THIRD ANGLE PROJECTION		
			mm	INCH	DRAWN BY VMANICKAM	DATE 2006/04/11	TITLE VLP DDR2 DIMM, 1MM PITCH 240 CKTS, VERT. PRESSFIT			
		4 PLACES	± ---	± ---	CHECKED BY SHLENI	DATE 2006/06/22				
		3 PLACES	± ---	± ---	APPROVED BY SRRAMESH	DATE 2006/06/22	MOLEX INCORPORATED DOCUMENT NO. SD-78065-001			
2 PLACES	± 0.20	± ---	MATERIAL NO.		SHEET NO. 3 OF 4					
1 PLACE	± ---	± ---	DRAFT WHERE APPLICABLE MUST REMAIN WITHIN DIMENSIONS		SEE TABLE		THIS DRAWING CONTAINS INFORMATION THAT IS PROPRIETARY TO MOLEX INCORPORATED AND SHOULD NOT BE USED WITHOUT WRITTEN PERMISSION			

9 8 7 6 5 4 3 2 1

10 9 8 7 6 5 4 3 2 1

TIN OPTION

PART NO.	VOLTAGE KEY POS.	VOLTAGE	DIM 'P'	RECOMMENDED PCB THICKNESS	CONTACT AREA PLATING OPTION	SOLDERTAIL PLATING OPTION	LATCH COLOR
78065-8001	CENTER	1.8V	3.30	3.60	0.76μM/30μM MIN GOLD OVER 1.27μM/50μM MIN NICKEL UNDERPLATE	0.38-1.52μM/15-60μM TIN OVER 1.27μM/50μM MIN NICKEL UNDERPLATE	BLACK
78065-8002			4.20	4.57			

TIN/LEAD OPTION

PART NO.	VOLTAGE KEY POS.	VOLTAGE	DIM 'P'	RECOMMENDED PCB THICKNESS	CONTACT AREA PLATING OPTION	SOLDERTAIL PLATING OPTION	LATCH COLOR
78065-8101	CENTER	1.8V	3.30	3.60	0.76μM/30μM MIN GOLD OVER 1.27μM/50μM MIN NICKEL UNDERPLATE	0.38-1.52μM/15-60μM TIN/LEAD OVER 1.27μM/50μM MIN NICKEL UNDERPLATE	BLACK
78065-8102			4.20	4.57			

UPDATE M.C DWG EC NO: S2008-0319 DRWN:CMTEO CHKD:CCTEH APPR:SHLENI	2007/10/18 2007/10/19 2007/10/22	DESCRIPTION REV	QUALITY SYMBOLS ▽=0 ▽=0	GENERAL TOLERANCES (UNLESS SPECIFIED) <table border="1"> <thead> <tr> <th></th> <th>mm</th> <th>INCH</th> </tr> </thead> <tbody> <tr> <td>4 PLACES</td> <td>± ---</td> <td>± ---</td> </tr> <tr> <td>3 PLACES</td> <td>± ---</td> <td>± ---</td> </tr> <tr> <td>2 PLACES</td> <td>± 0.20</td> <td>± ---</td> </tr> <tr> <td>1 PLACE</td> <td>± ---</td> <td>± ---</td> </tr> </tbody> </table> ANGULAR ± 5 °		mm	INCH	4 PLACES	± ---	± ---	3 PLACES	± ---	± ---	2 PLACES	± 0.20	± ---	1 PLACE	± ---	± ---	DIMENSION STYLE MM ONLY DRAWN BY VMANICKAM CHECKED BY SHLENI APPROVED BY SRRAMESH	SCALE NTS DESIGN UNITS METRIC THIRD ANGLE PROJECTION	DATE 2006/04/11 DATE 2006/06/22 DATE 2006/06/22	TITLE VLP DDR2 DIMM, 1MM PITCH 240 CKTS, VERT. PRESSFIT	MOLEX INCORPORATED	MATERIAL NO. SEE TABLE	DOCUMENT NO. SD-78065-001	SHEET NO. 4 OF 4
		mm	INCH																								
	4 PLACES	± ---	± ---																								
	3 PLACES	± ---	± ---																								
2 PLACES	± 0.20	± ---																									
1 PLACE	± ---	± ---																									
DRAFT WHERE APPLICABLE MUST REMAIN WITHIN DIMENSIONS				SIZE A3		THIS DRAWING CONTAINS INFORMATION THAT IS PROPRIETARY TO MOLEX INCORPORATED AND SHOULD NOT BE USED WITHOUT WRITTEN PERMISSION																					

9 8 7 6 5 4 3 2 1