

6

5

4

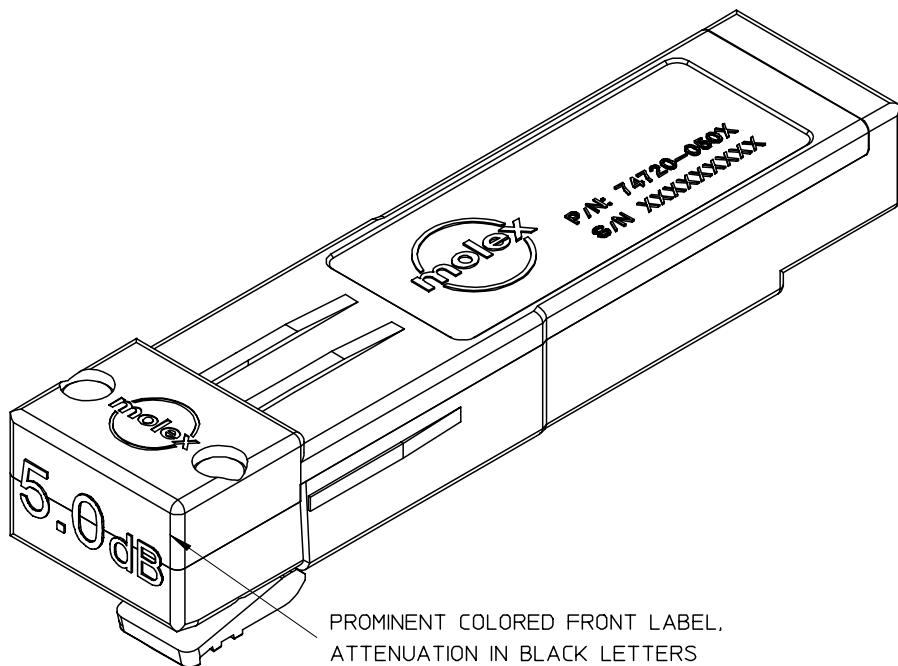
3

2

1

D

C



PROMINENT COLORED FRONT LABEL,
ATTENUATION IN BLACK LETTERS

1. Mates to SFP components which comply to standard MSA dimension specifications.
2. Support for:
 - Fibre channel data to 2.125 Gbps
 - Gigabit Ethernet data rates to 2.5 Gbps
 - infiniband data rates to 2.5 Gbps
3. Robust zinc die cast body, bright nickel plated. Mounts belly-to-belly using 0.093"+ boards.
4. Raised wedges assure electrical contact with surrounding EMI cage assembly.
5. Spring loaded latch releases with simple squeeze, and pull action.
6. 100 ohm impedance.
7. Supports serial ID functionality.
8. 3.3V or 5.0V supply.
9. Hot pluggable.

D

C

B

B

PART NUMBER	LABEL COLOR	PART DESCRIPTION
74720-0503	LIGHT GREEN	SERIAL ID, WITH 5.0 dB ATTENUATION
74720-0502	LIGHT BLUE	SERIAL ID, WITH 0.0 dB ATTENUATION
74720-0501	YELLOW	SERIAL ID, WITH 3.5 dB ATTENUATION

A

A

ENTER DESCRIPTION EC NO: USY2006-0271 DRWN: JERWIN CHKD: KLOYD APPR: KLOYD	2006/02/21 2006/03/03 2006/03/09	DESCRIPTION REV	QUALITY SYMBOLS ▼=0 ▽=0	GENERAL TOLERANCES (UNLESS SPECIFIED)		DIMENSION STYLE		SCALE	DESIGN UNITS	THIRD ANGLE PROJECTION
						MM/IN		2:1	METRIC	
						DRAWN BY DATE		TITLE		
						CHECKED BY DATE		SFP LOOPBACK ADAPTER		
				APPROVED BY DATE		MOLEX INCORPORATED				
				ANGULAR ±1/2°		MATERIAL NO.		DOCUMENT NO.		
				DRAFT WHERE APPLICABLE MUST REMAIN WITHIN DIMENSIONS		SEE CHART		SD-74720-0501		
				SIZE		THIS DRAWING CONTAINS INFORMATION THAT IS PROPRIETARY TO MOLEX INCORPORATED AND SHOULD NOT BE USED WITHOUT WRITTEN PERMISSION		SHEET NO.		
								1 OF 3		

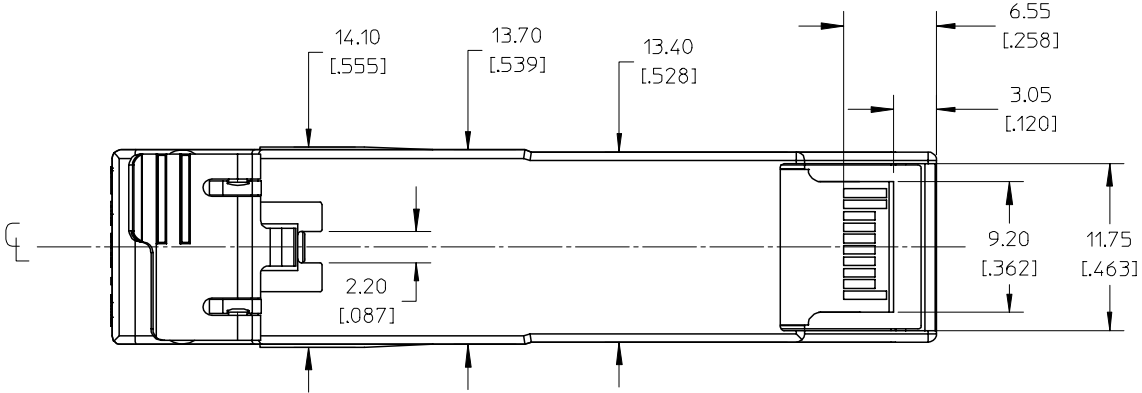
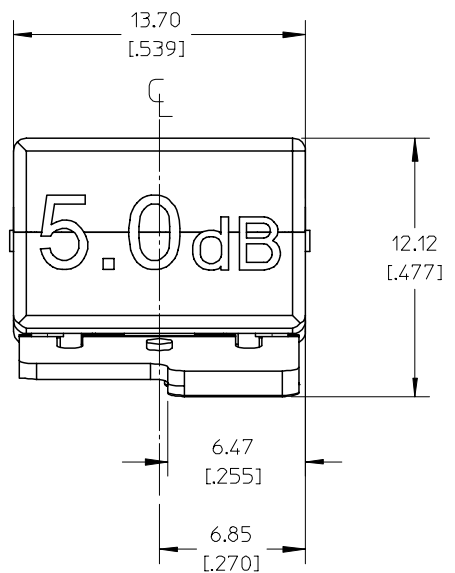
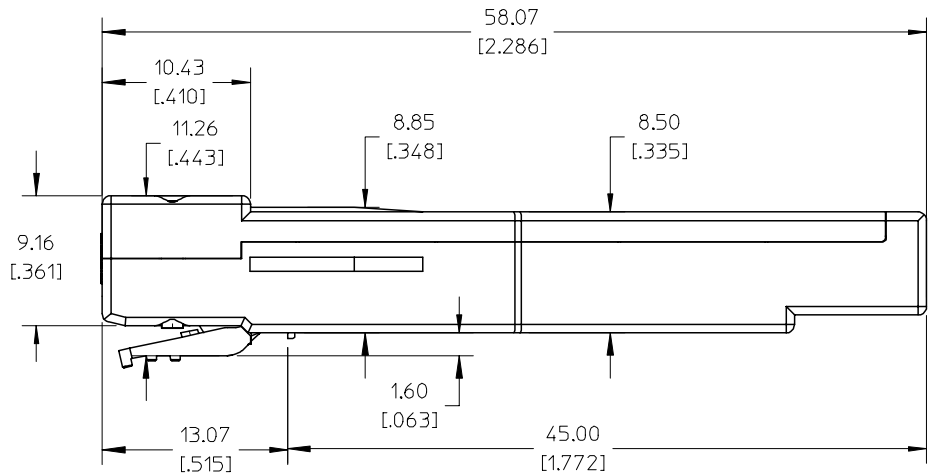
5

4

3

2

1



▲ ATTENUATION LEVEL FOR 74720-0502 SHOWN AS EXAMPLE.

ENTER DESCRIPTION EC NO: USY2006-0271 DRWN: JERWIN 2006/02/21 CHKD: KKLLOYD 2006/03/03 APPR: KKLLOYD 2006/03/09 D	QUALITY SYMBOLS ▽=0 ▽=0	GENERAL TOLERANCES (UNLESS SPECIFIED)		DIMENSION STYLE MM/IN		SCALE 2:1	DESIGN UNITS METRIC	THIRD ANGLE PROJECTION		
		4 PLACES	± ---	± ---	DRAWN BY	DATE	TITLE SFP LOOPBACK ADAPTER			
		3 PLACES	± ---	± .005	CHECKED BY	DATE				
		2 PLACES	± 0.13	± ---	APPROVED BY	DATE	MOLEX INCORPORATED			
1 PLACE	± ---	± ---	RUSSELL	2002/05/01						
ANGULAR ± 1/2°		DRAFT WHERE APPLICABLE MUST REMAIN WITHIN DIMENSIONS		MATERIAL NO. SEE CHART		DOCUMENT NO. SD-74720-0501		SHEET NO. 2 OF 3		
THIS DRAWING CONTAINS INFORMATION THAT IS PROPRIETARY TO MOLEX INCORPORATED AND SHOULD NOT BE USED WITHOUT WRITTEN PERMISSION										

6

5

4

3

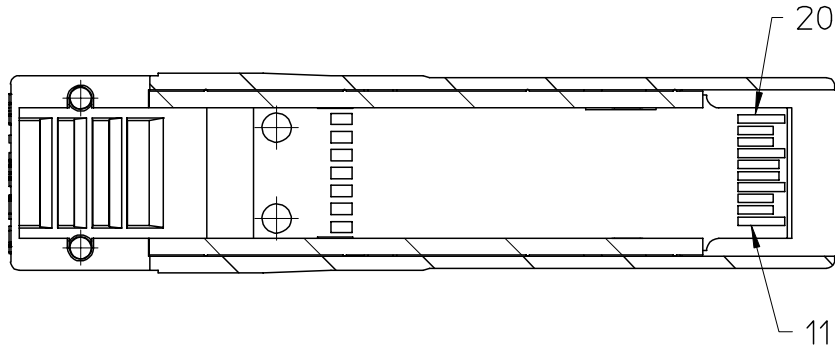
2

1

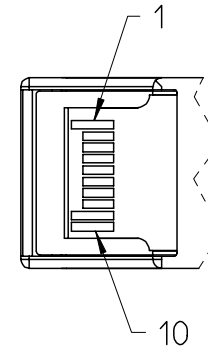
D

D

Top View
Cutaway



Bottom
View



Gnd T	20	1	Gnd T
TD-	19	2	Tx Fault
TD+	18	3	Tx Disable
Gnd T	17	4	MOD-DEF(2)
VccT	16	5	MOD-DEF(1)
VccR	15	6	MOD-DEF(0)
Gnd R	14	7	Rate Select
RD+	13	8	LOS
RD-	12	9	Gnd R
Gnd R	11	10	Gnd R

B

B

A

A

ENTER DESCRIPTION EC NO: USY2006-0271 DRAWN: JERWIN 2006/02/21 CHKD: KKLLOYD 2006/03/03 APPR: KKLLOYD 2006/03/09 D	QUALITY SYMBOLS DESCRIPTION	GENERAL TOLERANCES (UNLESS SPECIFIED)		DIMENSION STYLE MM/IN		SCALE 2:1	DESIGN UNITS METRIC	THIRD ANGLE PROJECTION	
			mm	INCH	DRAWN BY	DATE	TITLE SFP LOOPBACK ADAPTER		
		4 PLACES	± ---	± ---	DIRKERS	2002/05/01			
		3 PLACES	± ---	± .005	CHECKED BY	DATE	MOLEX INCORPORATED DOCUMENT NO. SD-74720-0501		
2 PLACES	± 0.13	± ---	BRUSSELL	2002/05/01					
1 PLACE	± ---	± ---	APPROVED BY	DATE	SHEET NO. 3 OF 3				
ANGULAR ± 1/2°			RUSSELL	2002/05/01					
DRAFT WHERE APPLICABLE MUST REMAIN WITHIN DIMENSIONS		MATERIAL NO.		SEE CHART					
		SIZE		THIS DRAWING CONTAINS INFORMATION THAT IS PROPRIETARY TO MOLEX INCORPORATED AND SHOULD NOT BE USED WITHOUT WRITTEN PERMISSION					

5

4

3

2

1

6

5

4

3

2

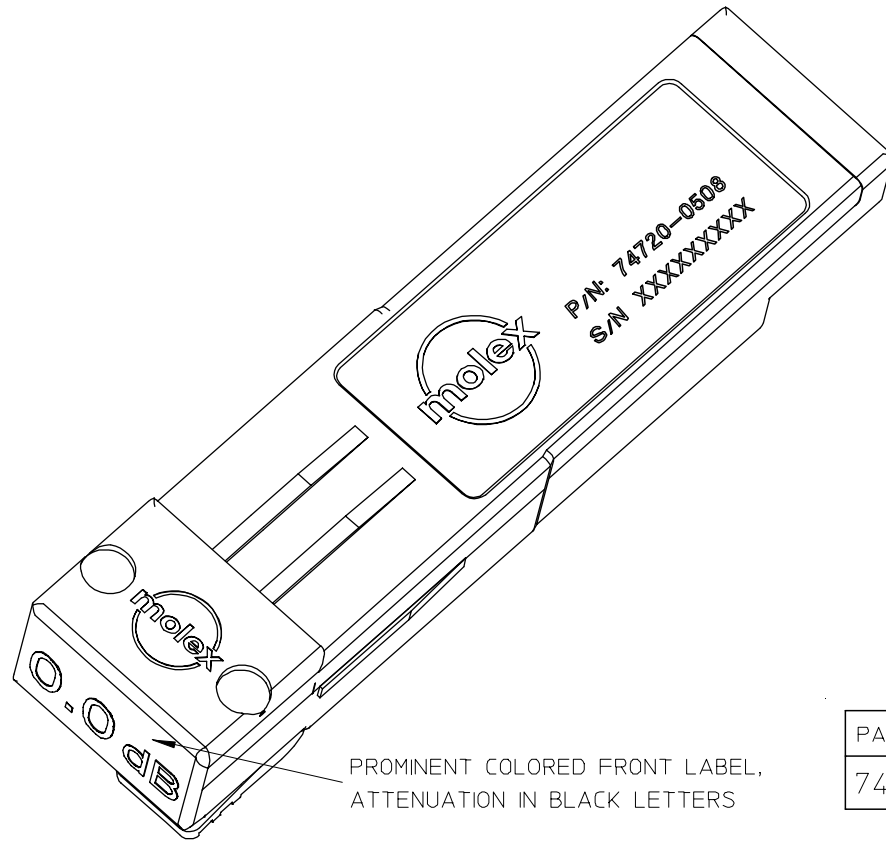
1

D

C

B

A



PROMINENT COLORED FRONT LABEL,
ATTENUATION IN BLACK LETTERS

1. Mates to SFP components which comply to standard MSA dimension specifications.
2. Support for:
 - Fibre Channel data rates 2.125 Gbps and 4.25 Gbps
 - Gigabit Ethernet data rates to 2.5 Gbps
 - Infiniband data rates to 2.5 Gbps
3. Robust zinc die cast body, bright nickel plated. Mounts belly-to-belly using 0.093"+ boards.
4. Raised wedges assure electrical contact with surrounding EMI cage assembly.
5. Spring loaded latch releases with simple squeeze, and pull action.
6. 100 ohm impedance.
7. Supports serial ID functionality.
8. 3.3V or 5.0V supply.
9. Hot pluggable.

PART NUMBER	LABEL COLOR	PART DESCRIPTION
74720-0508	LIGHT BLUE	SERIAL ID; 0.0 dB ATTEN.

ENTER DESCRIPTION EC NO: USY2006-0057 DRWN:KPHILLIPS 2005/09/29 CHKD:K.LLOYD 2005/09/29 APPR:K.LLOYD 2005/09/29	QUALITY SYMBOLS =0 =0.005	GENERAL TOLERANCES (UNLESS SPECIFIED)		DIMENSION STYLE MM/IN		SCALE 6:1	DESIGN UNITS METRIC	THIRD ANGLE PROJECTION		
						TITLE SFP LOOPBACK ADAPTER				
		4 PLACES	± ---	± ---	DRAWN BY K.PHILLIPS	DATE 2005/09/26	APPROVED BY B.RUSSELL			
		3 PLACES	± ---	± .005	CHECKED BY K.LLOYD	DATE 2005/09/26	DATE 2005/09/26			
2 PLACES	± 0.13	± ---	ANGULAR ±1/2°		MATERIAL NO. 747200508					
1 PLACE	± ---	± ---	DRAFT WHERE APPLICABLE MUST REMAIN WITHIN DIMENSIONS		DOCUMENT NO. SD-74720-0508		SHEET NO. 1 OF 3			
A	REV			SIZE A		THIS DRAWING CONTAINS INFORMATION THAT IS PROPRIETARY TO MOLEX INCORPORATED AND SHOULD NOT BE USED WITHOUT WRITTEN PERMISSION				

5

4

3

2

1

6

5

4

3

2

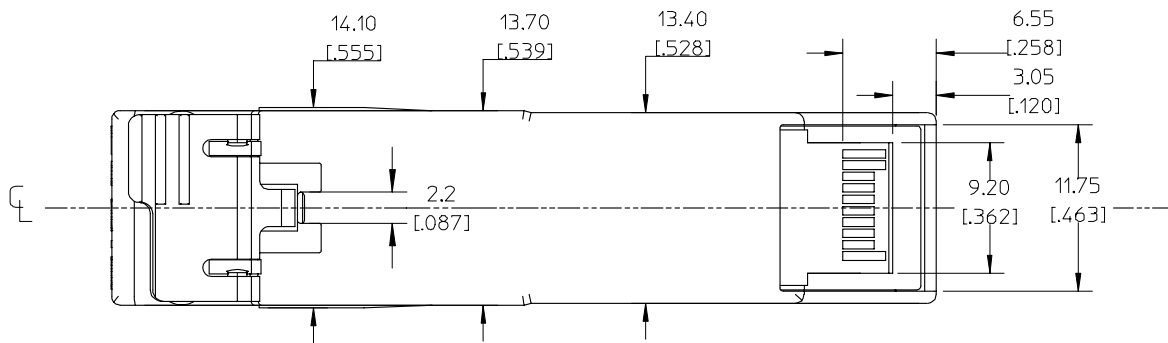
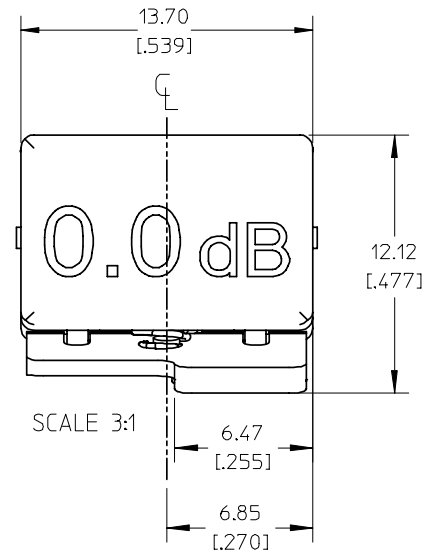
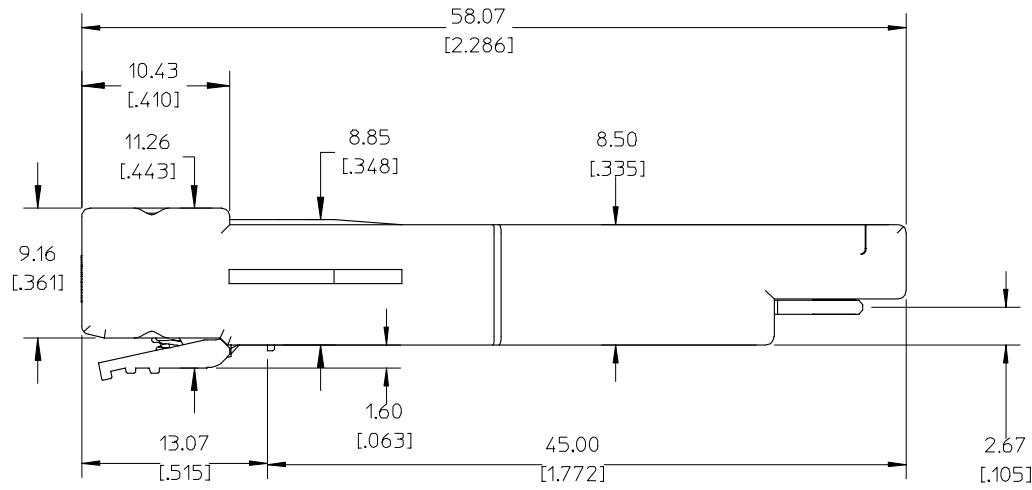
1

D

C

B

A



ENTER DESCRIPTION EC NO: USY2006-0057 DRWN:KPHILLIPS 2005/09/29 CHKD:K.LLOYD 2005/09/29 APPR:K.LLOYD 2005/09/29 A	QUALITY SYMBOLS =0 =0	GENERAL TOLERANCES (UNLESS SPECIFIED)		DIMENSION STYLE MM/IN		SCALE 6:1	DESIGN UNITS METRIC	THIRD ANGLE PROJECTION	
		4 PLACES	± ---	± ---	DRAWN BY	DATE	TITLE SFP LOOPBACK ADAPTER		
		3 PLACES	± ---	± .005	CHECKED BY	DATE			
		2 PLACES	± 0.13	± ---	APPROVED BY	DATE	MOLEX INCORPORATED		
		1 PLACE	± ---	± ---	B.RUSSELL	2005/09/26			
ANGULAR ±1/2°		MATERIAL NO. 747200508		DOCUMENT NO. SD-74720-0508		SHEET NO. 2 OF 3			
DRAFT WHERE APPLICABLE MUST REMAIN WITHIN DIMENSIONS		THIS DRAWING CONTAINS INFORMATION THAT IS PROPRIETARY TO MOLEX INCORPORATED AND SHOULD NOT BE USED WITHOUT WRITTEN PERMISSION							

5

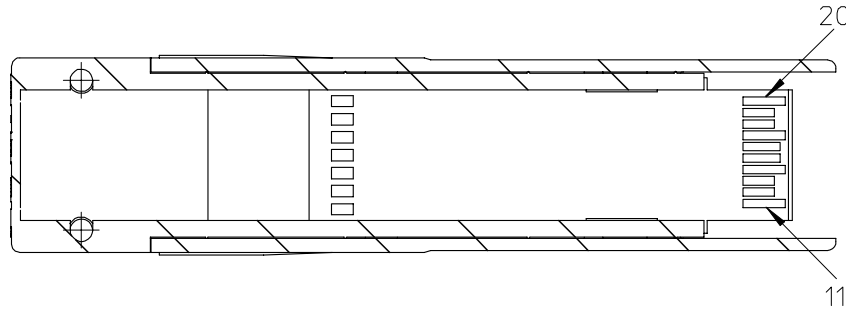
4

3

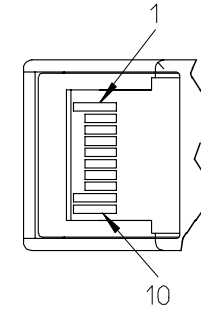
2

1

Top View
Cutaway



Bottom
View



Gnd T	20	1	Gnd T
TD-	19	2	Tx Fault
TD+	18	3	Tx Disable
Gnd T	17	4	MOD-DEF(2)
VccT	16	5	MOD-DEF(1)
VccR	15	6	MOD-DEF(0)
Gnd R	14	7	Rate Select
RD+	13	8	LOS
RD-	12	9	Gnd R
Gnd R	11	10	Gnd R

ENTER DESCRIPTION EC NO: USY2006-0057 DRWN:KPHILLIPS 2005/09/29 CHKD:K.LLOYD 2005/09/29 APPR:K.LLOYD 2005/09/29 A	QUALITY SYMBOLS ▽=0 ▽=0	GENERAL TOLERANCES (UNLESS SPECIFIED)		DIMENSION STYLE MM/IN		SCALE 2:1	DESIGN UNITS METRIC	THIRD ANGLE PROJECTION	
			mm	INCH	DRAWN BY	DATE	TITLE SFP LOOPBACK ADAPTER		
		4 PLACES	± ---	± ---	K.PHILLIPS	2005/09/26			
		3 PLACES	± ---	± .005	CHECKED BY	DATE	MOLEX INCORPORATED		
2 PLACES	± 0.13	± ---	K.LLOYD	2005/09/26					
1 PLACE	± ---	± ---	APPROVED BY	DATE	DOCUMENT NO. SD-74720-0508				
ANGULAR ± 1/2°		B.RUSSELL		2005/09/26				SHEET NO. 3 OF 3	
DRAFT WHERE APPLICABLE MUST REMAIN WITHIN DIMENSIONS				MATERIAL NO. 747200508					
				SIZE A	THIS DRAWING CONTAINS INFORMATION THAT IS PROPRIETARY TO MOLEX INCORPORATED AND SHOULD NOT BE USED WITHOUT WRITTEN PERMISSION				