

DATE CODE LOCATION
SEE NOTE 9

NOTES

1. MATERIAL:

- CAGE: NICKEL SILVER, THICKNESS: 0.25mm
- CONNECTOR HOUSING: GLASS FILLED LIQUID CRYSTAL POLYMER (LCP), UL 94V-0, COLOR: BLACK
- OVERMOLD TERMINAL HOUSING: GLASS FILLED LIQUID CRYSTAL POLYMER (LCP), UL 94V-0, COLOR: BLACK
- TERMINALS: TIN BRASS
- EMI GASKET: PHOS-BRONZE
- LIGHTPIPE HOUSING: ZINC
- LIGHTPIPES: POLYCARBONATE, COLOR: CLEAR

2. FINISHES:

- TERMINALS: CONTACT AREA: 0.76 MICROMETERS MINIMUM HARD GOLD OVER 1.27 MICROMETERS MINIMUM NICKEL.
- COMPLIANT TAIL - MATTE TIN/LEAD OPTION: 0.76 TO 1.52 MICROMETERS 90/10 MATTE TIN-LEAD OVER 0.76 MICROMETERS MINIMUM NICKEL.
- COMPLIANT TAIL - MATTE TIN OPTION: 0.76 TO 1.52 MICROMETERS MATTE TIN OVER 0.76 MICROMETERS MINIMUM NICKEL.
- LIGHTPIPE HOUSING: 80 MICROMETERS MINIMUM NICKEL OVER COPPER

3. REFER TO PS-75310-001 PRODUCT SPEC FOR ALL ELECTRICAL, MECHANICAL, AND ENVIRONMENTAL SPECIFICATIONS.

4. LIGHT PIPE PAD LAYOUT IS FOR 0805 LOW-PROFILE LED PACKAGE. FOR OTHER RECOMMENDED LAYOUTS REFER TO MOLEX'S REPORT TS-75310-001.

5. REFER TO PK-75714-001 FOR ALL PACKAGING SPECIFICATIONS.

6. THE SURFACES CONFORM TO THE MOLEX COSMETIC SPEC PS-45499-002.

ALL EXTERIOR SURFACES TO BE CLASS "B" SURFACE EXCEPT THE UNDERSIDE (CLASS "C") OF THE CAGE (SIDE TOWARD THE PCB) AND AS OTHERWISE NOTED.

7. THE OVERALL CAGE WIDTH AT THE VERTICAL CENTER OF THE FRONT EDGE WILL FALL WITHIN THIS DIMENSION: 29.30+/-0.30 MM. THIS PORTION OF THE CAGE WILL FLEX INWARD AS THE CAGE IS BEING INSERTED INTO THE BEZEL OPENING.

8. REFER TO AS-76090-001 FOR HIGH SPEED ROUTING RECOMMENDATIONS.

9. DATE CODE LOCATION IS SHOWN ABOVE.

DATE CODE FORMAT: DDDY MX A1

DDD = DAY OF THE YEAR

Y = YEAR

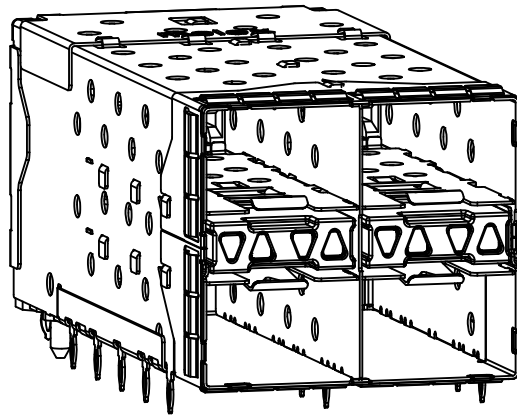
MX = MOLEX

A = ALPHA CHARACTER - INDICATES MANUFACTURING LINE

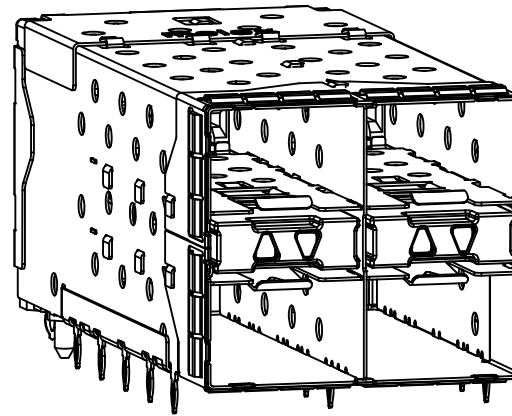
1 = NUMERIC CHARACTER - INDICATES PRODUCTION SHIFT

PART NUMBER	DESCRIPTION	VIEW	COMPLIANT TAIL PLATING
760450001	4 LIGHT PORTS	SEE PG 2	MATTE TIN / LEAD
760450002	INNER 2 PORTS	SEE PG 2	MATTE TIN / LEAD
760450003	OUTER 2 PORTS	SEE PG 2	MATTE TIN / LEAD
760455001	4 LIGHT PORTS	SEE PG 2	MATTE TIN
760455002	INNER 2 PORTS	SEE PG 2	MATTE TIN
760455003	OUTER 2 PORTS	SEE PG 2	MATTE TIN

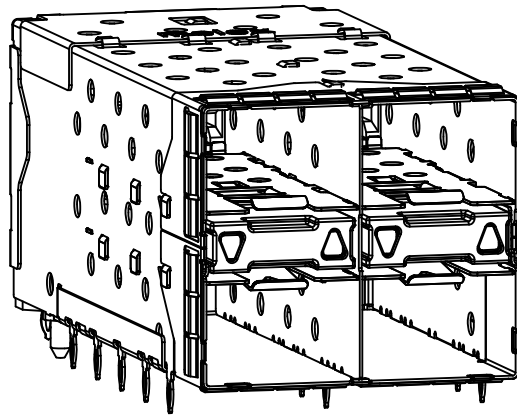
<p>ADD NOTE 8 & 9</p> <p>EC NO: UCP2011-2594</p> <p>DRWN:WOLFE 2011/02/28</p> <p>CHKD:BBARKER 2011/02/28</p> <p>APPR:SMILLER 2011/09/20</p>	<p>QUALITY SYMBOLS</p> <p>▽=0</p> <p>▽=0</p> <p>▽=0</p>	GENERAL TOLERANCES (UNLESS SPECIFIED)		DIMENSION STYLE MM ONLY		SCALE 3:1	DESIGN UNITS METRIC	THIRD ANGLE PROJECTION	
		mm		INCH		DRAWN BY DATE		TITLE	
		4 PLACES ± --- ± ---		3 PLACES ± --- ± ---		MSANDBERG 10-16-06		STACKED SFP+ 2X2 ASS'Y WITH METAL EMI GASKET AND LIGHTPIPES	
		2 PLACES ± 0.13 ± ---		1 PLACE ± 0.25 ± ---		JLONG 10-16-06		MOLEX INCORPORATED	
ANGULAR ± 5 °		DRAFT WHERE APPLICABLE MUST REMAIN WITHIN DIMENSIONS		APPROVED BY DATE		DOCUMENT NO.		SHEET NO.	
				RNELSON 10-16-06		SD-76045-001		1 OF 4	
				SEE TABLE		THIS DRAWING CONTAINS INFORMATION THAT IS PROPRIETARY TO MOLEX INCORPORATED AND SHOULD NOT BE USED WITHOUT WRITTEN PERMISSION			



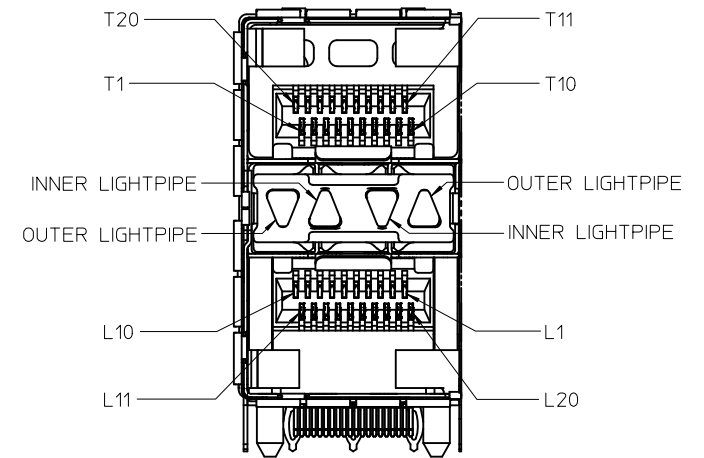
760450001 AND 760455001
WITH INNER AND OUTER LIGHTPIPES



760450002 AND 760455002
WITH INNER LIGHTPIPES



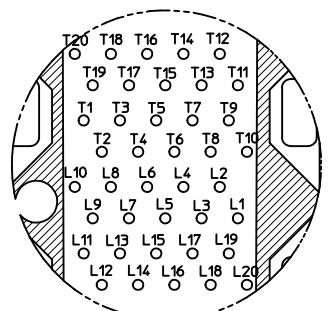
760450003 AND 760455003
WITH OUTER LIGHTPIPES



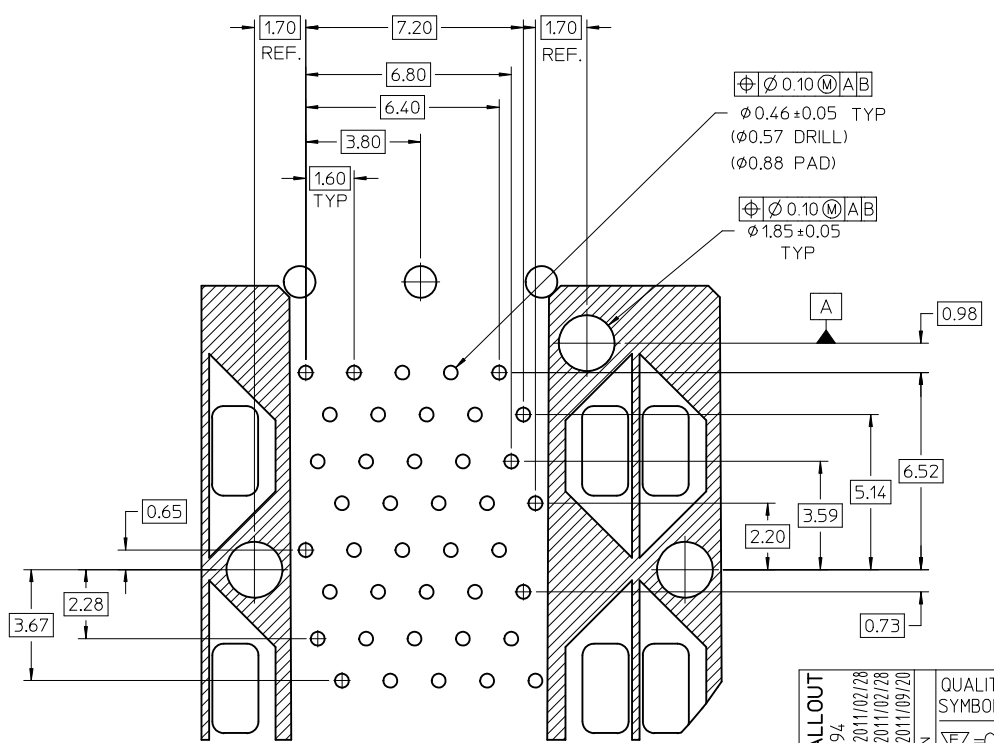
CIRCUIT NUMBERING
AND LIGHTPIPE
IDENTIFICATION

DETAIL B
SCALE 4:1

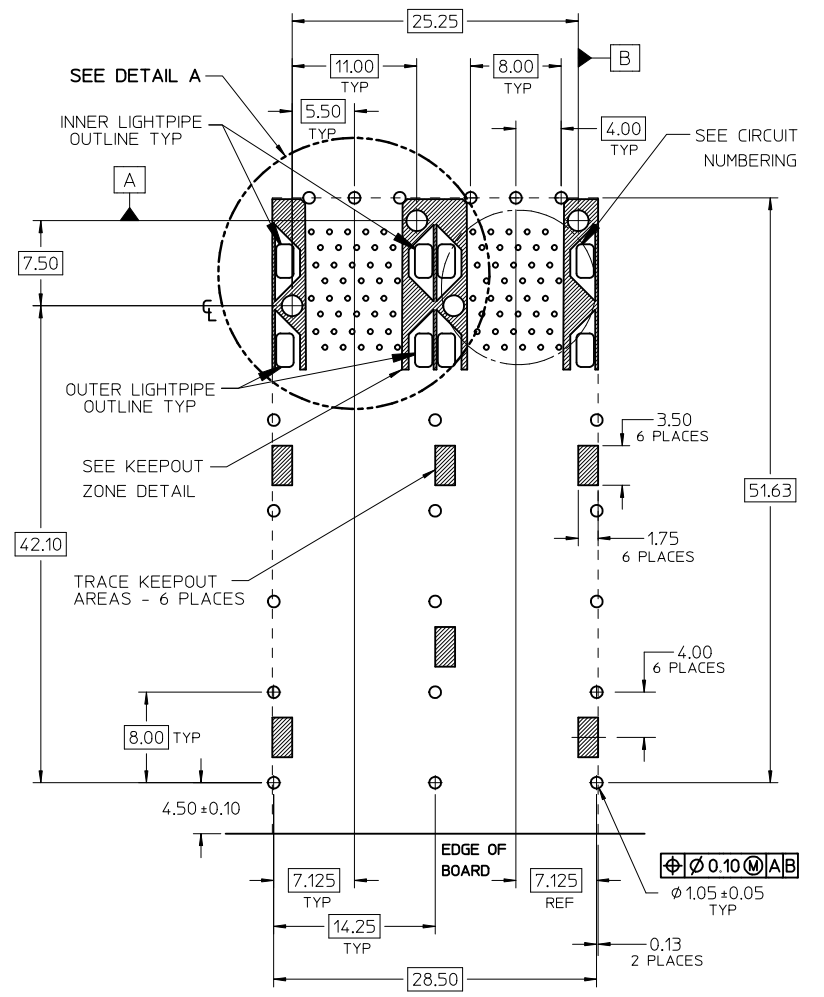
ADD DETAIL B EC NO: UCP2011-2594 DRWN:MMOLFE 2011/02/28 CHKD:BBARKER 2011/02/28 APPR:SMILLER 2011/09/20	QUALITY SYMBOLS ▽=0 ▽=0 ▽=0	GENERAL TOLERANCES (UNLESS SPECIFIED)		DIMENSION STYLE MM ONLY		SCALE 3:1	DESIGN UNITS METRIC	THIRD ANGLE PROJECTION	
		4 PLACES ± --- ± ---	3 PLACES ± --- ± ---	DRAWN BY MSANDBERG	DATE 10-16-06	TITLE STACKED SFP+ 2X2 ASS'Y WITH METAL EMI GASKET AND LIGHTPIPES			
		2 PLACES ± 0.13 ± ---	1 PLACE ± 0.25 ± ---	CHECKED BY JLONG	DATE 10-16-06	MOLEX INCORPORATED			
		ANGULAR ± 5 °		APPROVED BY RNELSON	DATE 10-16-06	MATERIAL NO. SEE TABLE		DOCUMENT NO. SD-76045-001	SHEET NO. 2 OF 4
DRAFT WHERE APPLICABLE MUST REMAIN WITHIN DIMENSIONS				SIZE THIS DRAWING CONTAINS INFORMATION THAT IS PROPRIETARY TO MOLEX INCORPORATED AND SHOULD NOT BE USED WITHOUT WRITTEN PERMISSION					



CIRCUIT NUMBERING
COMPONENT SIDE OF BOARD



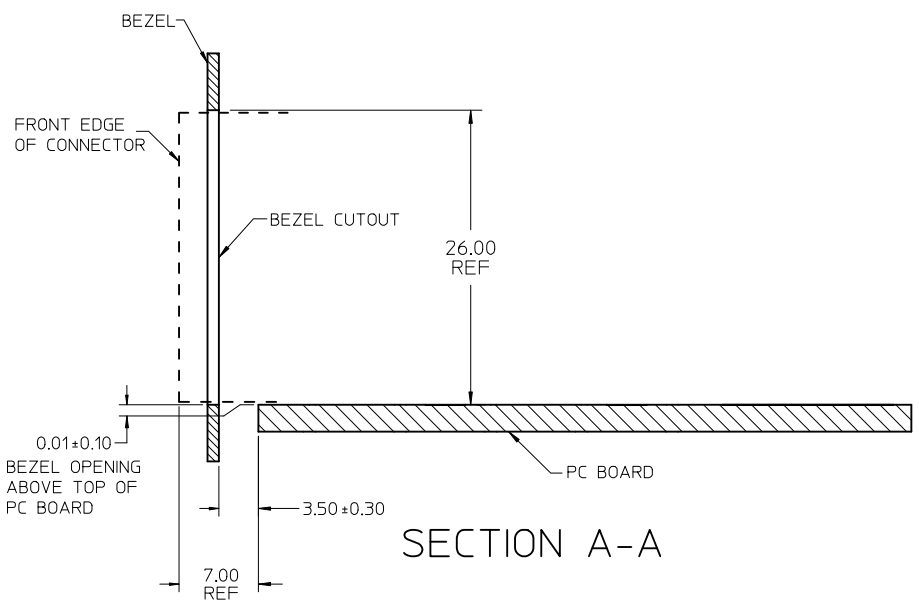
DETAIL A
SCALE 8:1



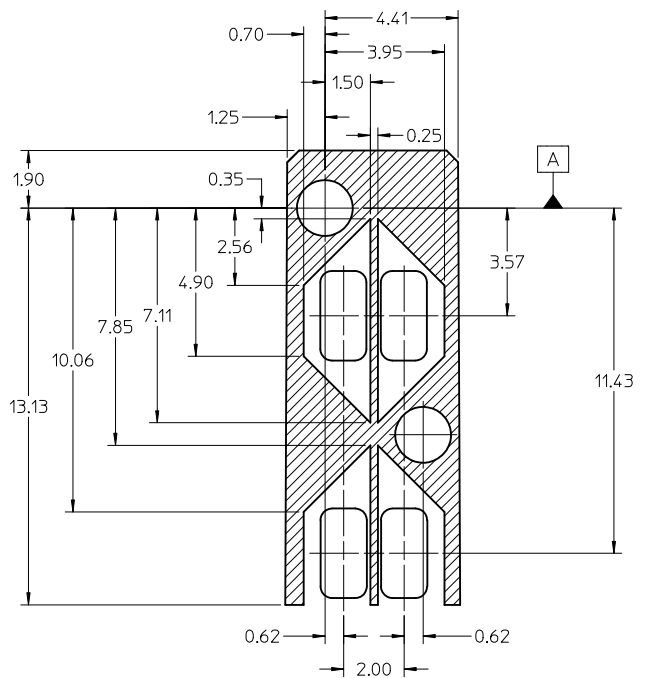
RECOMMENDED PCB LAYOUT - COMPONENT SIDE
RECOMMENDED PCB THICKNESS - 2.36 MM (0.093 INCH)

THE ENTIRE AREA OF THE CONNECTOR FOOTPRINT
TO BE CONSIDERED THE KEEP OUT AREA FOR COMPONENTS
(OTHER THAN LIGHTPIPE LED'S).
THIS AREA IS INDICATED BY THE DASHED LINE

CHG EC NO: UCP2011-2594 DRWN:WOLFE CHKD:BBARKER APPR:SMILLER	REV	DESCRIPTION 2011/02/28 2011/02/28 2011/09/20	QUALITY SYMBOLS ▽=0 ▽=0 ▽=0	GENERAL TOLERANCES (UNLESS SPECIFIED)		DIMENSION STYLE MM ONLY		SCALE 3:1	DESIGN UNITS METRIC	THIRD ANGLE PROJECTION
				mm	INCH	DRAWN BY MSANDBERG	DATE 10-16-06	TITLE STACKED SFP+ 2X2 ASS'Y WITH METAL EMI GASKET AND LIGHTPIPES	MATERIAL NO. DOCUMENT NO. SD-76045-001	SHEET NO. 3 OF 4
4 PLACES ± --- ± ---		3 PLACES ± --- ± ---		CHECKED BY JLONG		DATE 10-16-06		MOLEX INCORPORATED		
2 PLACES ± 0.13 ± ---		1 PLACE ± 0.25 ± ---		APPROVED BY RNELSON		DATE 10-16-06				THIS DRAWING CONTAINS INFORMATION THAT IS PROPRIETARY TO MOLEX INCORPORATED AND SHOULD NOT BE USED WITHOUT WRITTEN PERMISSION
ANGULAR ± 5 °		DRAFT WHERE APPLICABLE MUST REMAIN WITHIN DIMENSIONS		SEE TABLE		SIZE C				

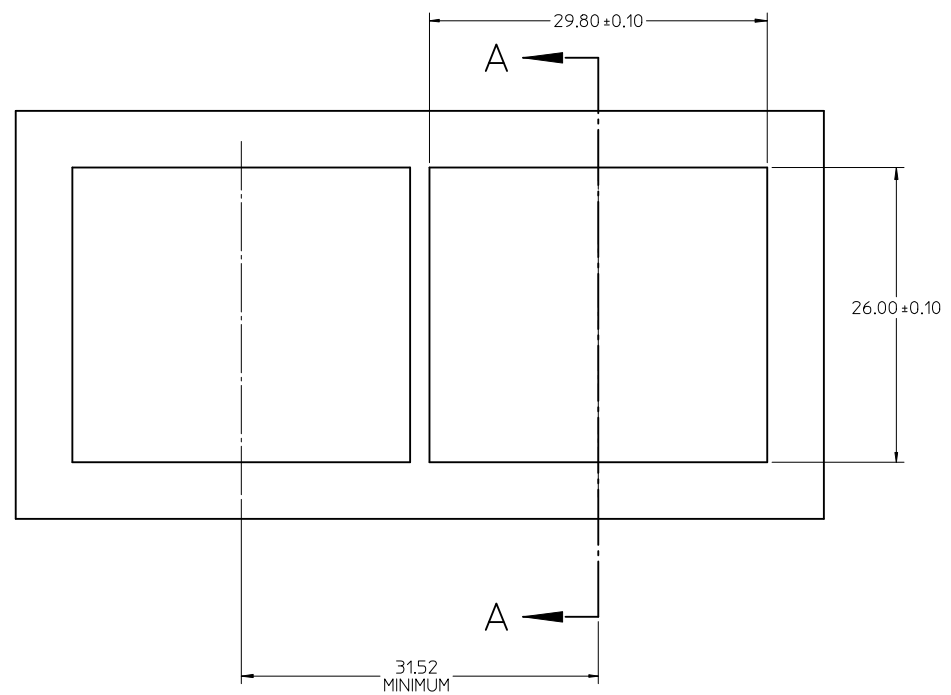


SECTION A-A



KEEP-OUT ZONE DETAIL - LIGHTPIPE AND OTHER ZONES
SCALE 8:1

THE HATCHED AREA IN THIS VIEW INDICATES ZONES THAT ARE OCCUPIED BY THE PLASTIC HOUSING THAT SEATS AGAINST THE PCB AND BY THE VERTICAL METAL CAGE WALL THAT STOPS JUST SHORT OF THE PCB



BEZEL CUT-OUT CENTER SPACING DETAIL
BEZEL THICKNESS: 0.8 - 2.6

SEE SHEET 1 EC NO: UCP2011-2594 DRWN:WOLFE 2011/02/28 CHKD:BBARKER 2011/02/28 APPR:SMILLER 2011/09/20	QUALITY SYMBOLS	GENERAL TOLERANCES (UNLESS SPECIFIED)	DIMENSION STYLE MM ONLY	SCALE 3:1	DESIGN UNITS METRIC	THIRD ANGLE PROJECTION
	▽=0	4 PLACES ± ---	mm	DRAWN BY MSANDBERG	DATE 10-16-06	TITLE STACKED SFP+ 2X2 ASS'Y WITH METAL EMI GASKET AND LIGHTPIPES
	▽=0	3 PLACES ± ---	INCH	CHECKED BY JLONG	DATE 10-16-06	
	▽=0	2 PLACES ± 0.13	1 PLACE ± 0.25	APPROVED BY RNELSON	DATE 10-16-06	MOLEX INCORPORATED DOCUMENT NO. SD-76045-001
▽=0	ANGULAR ± 5 °		MATERIAL NO. SEE TABLE	SHEET NO. 4 OF 4		
REV	DESCRIPTION	DRAFT WHERE APPLICABLE MUST REMAIN WITHIN DIMENSIONS		THIS DRAWING CONTAINS INFORMATION THAT IS PROPRIETARY TO MOLEX INCORPORATED AND SHOULD NOT BE USED WITHOUT WRITTEN PERMISSION		