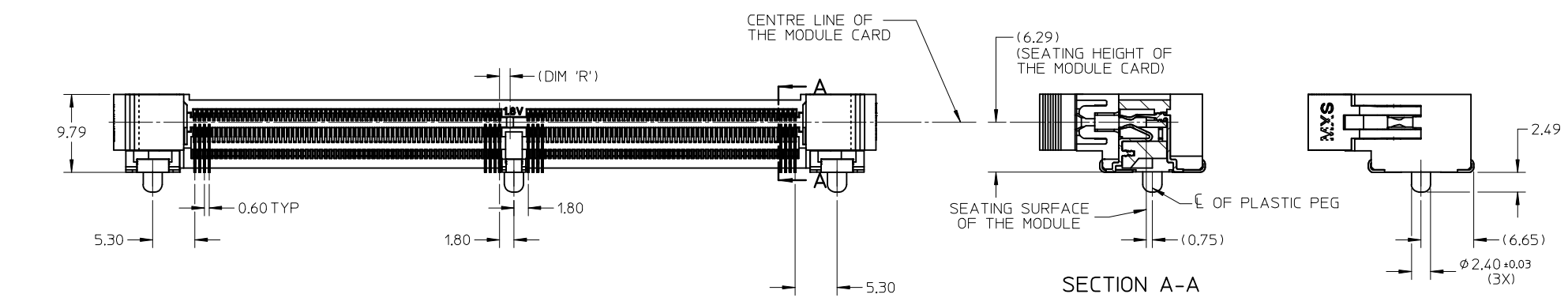


NOTES :

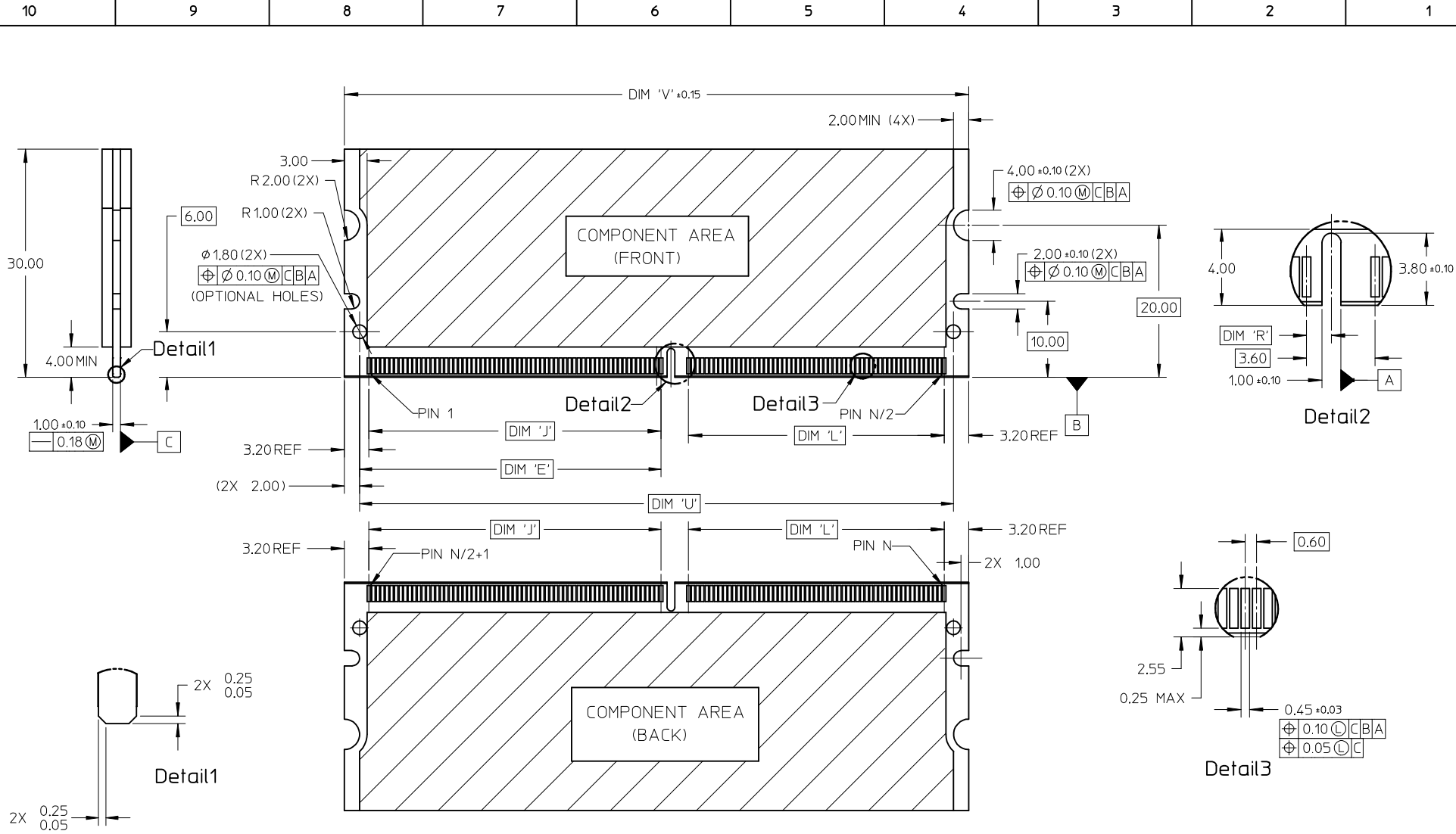
- MATERIAL :  
HOUSING : HIGH TEMPERATURE LIQUID CRYSTAL POLYMER, UL94V-0  
COLOUR : BLACK  
CONTACTS : COPPER ALLOY  
LATCHES : HIGH TEMPERATURE NYLON, UL94V-0,  
COLOUR : NATURAL (OFF-WHITE)
- FINISH :  
CONTACT AREA : 0.76 MICROMETER (30 MICROINCH) MIN GOLD OVER  
1.25 MICROMETER (50 MICROINCH) MIN NICKEL  
SOLDER LEADS : 2.54 MICROMETER (100 MICROINCH) MIN TIN OVER  
1.25MICROMETER (50 MICROINCH) MIN NICKEL
- ACCEPTS 1.0 mm THICK MEMORY MODULE PER JEDEC MO-244  
FOR 244 CKTS AND MO-258 FOR 200 CKTS.
- PRODUCT SPECIFICATION : PS-78001-001
- PACKAGING SPECIFICATION: PRODUCT SHALL BE PACKED IN TRAY.  
PLS REFER TO SHEET 4.

- △6 DATE CODE SHALL BE MARKED LEGIBLY AS SHOWN :YYDD
- △7 PART NUMBER SHALL BE MARKED LEGIBLY AS SHOWN.  
78001-XXXX (REFER TO TABLE)



SECTION A-A

ADD PART NUMBER EC NO: S2014-0858 DRWN: JAKEENW 2013/12/26 CHKD: CCTEH 2014/03/19 APPR: SHLENI 2014/03/20	REV B3	DESCRIPTION QUALITY SYMBOLS $\nabla F=0$ $\nabla F=0$ $\nabla F=0$	GENERAL TOLERANCES (UNLESS SPECIFIED)		DIMENSION STYLE MM ONLY		SCALE NTS	DESIGN UNITS METRIC	THIRD ANGLE PROJECTION		
					mm	INCH	DRAWN BY SHLENI	DATE 2005/03/14	TITLE MINI DIMM, 0.60MM PITCH 200/244 CKTS REVERSE R/A <b>molex</b>		
			4 PLACES	± ---	± ---	CHECKED BY MLONG	DATE 2005/03/31				
			3 PLACES	± ---	± ---	APPROVED BY GGLLEE	DATE 2005/03/31	MATERIAL NO.	DOCUMENT NO.	SHEET NO.	
2 PLACES	± 0.13	± ---	ANGULAR ± 1 °		SEE TABLE	SD-78001-003	1 OF 4				
1 PLACE	± 0.25	± ---	DRAFT WHERE APPLICABLE MUST REMAIN WITHIN DIMENSIONS		SIZE A3	THIS DRAWING CONTAINS INFORMATION THAT IS PROPRIETARY TO MOLEX INCORPORATED AND SHOULD NOT BE USED WITHOUT WRITTEN PERMISSION					
0 PLACE	±	±									



<b>ADD PART NUMBER</b> EC NO: S2014-0858 DRWN: JAKEEW 2013/12/26 CH'KD: CCTEH 2014/03/19 APPR: SHLENI 2014/03/20 <b>B3</b>	<b>QUALITY SYMBOLS</b> $F_A = 0$ $F_G = 0$ $F_P = 0$	<b>GENERAL TOLERANCES (UNLESS SPECIFIED)</b>		<b>DIMENSION STYLE</b> MM ONLY	<b>SCALE</b> NTS	<b>DESIGN UNITS</b> METRIC	THIRD ANGLE PROJECTION		
		4 PLACES ± --- ± --- 3 PLACES ± --- ± --- 2 PLACES ± 0.13 ± --- 1 PLACE ± 0.25 ± --- 0 PLACE ± ±	mm INCH ± --- ± --- ± 0.13 ± --- ± 0.25 ± --- ± ±	DRAWN BY SHLENI	DATE 2005/03/14	<b>TITLE</b> MINI DIMM, 0.60MM PITCH 200/244 CKTS REVERSE R/A			
		ANGULAR ± 1 ° DRAFT WHERE APPLICABLE MUST REMAIN WITHIN DIMENSIONS		CHECKED BY MLONG	DATE 2005/03/31	<b>molex</b>			
		MATERIAL NO. <b>SEE TABLE</b>		APPROVED BY GGLEE	DATE 2005/03/31	DOCUMENT NO. SD-78001-003	SHEET NO. 2 OF 4		

10 9 8 7 6 5 4 3 2 1

F

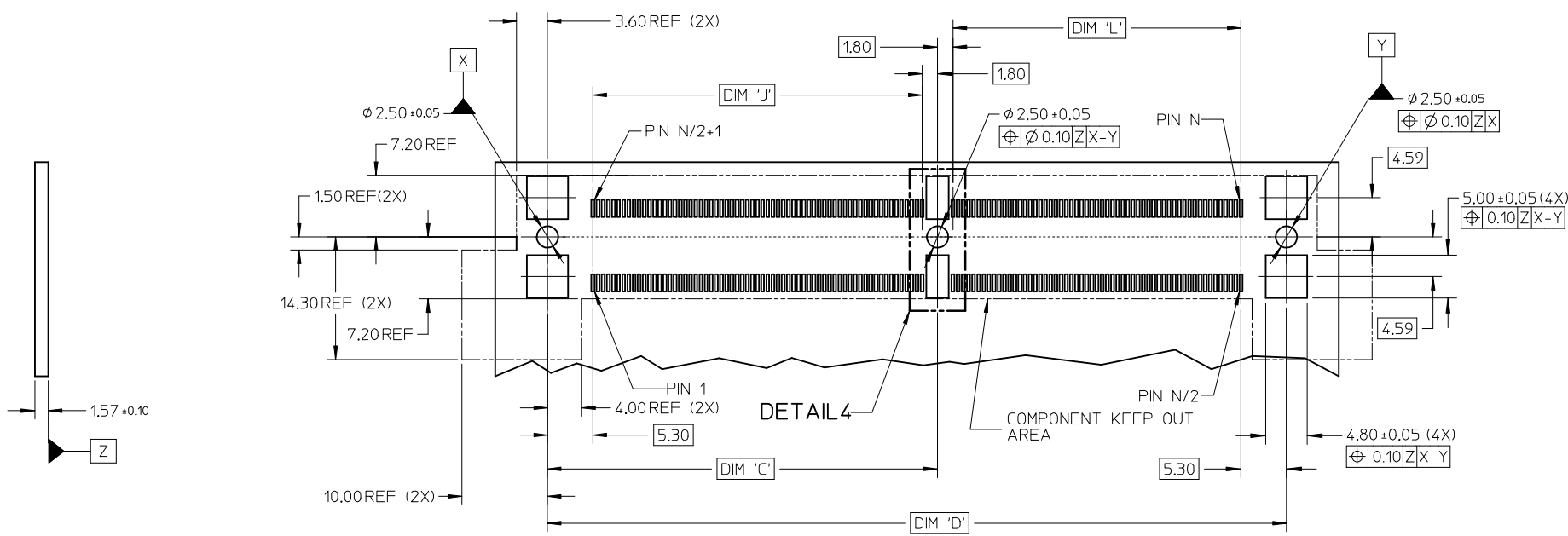
E

D

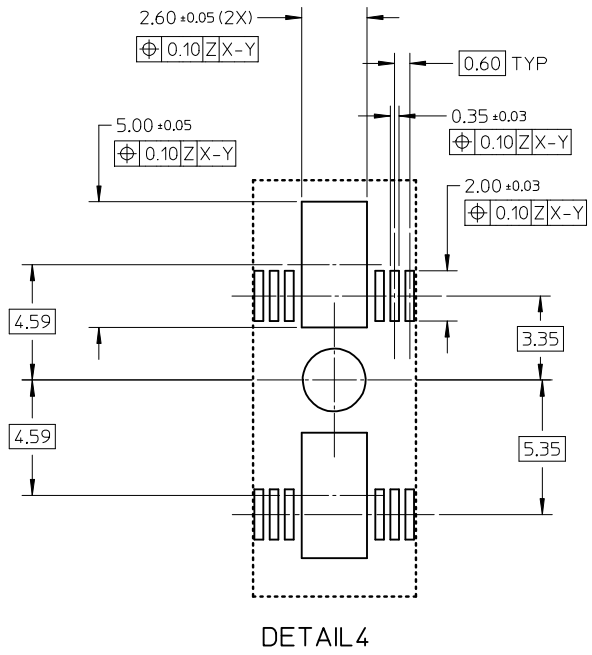
C

B

A



RECOMMENDED PCB LAYOUT




DETAIL 4

<b>ADD PART NUMBER</b> EC NO: S2014-0858 DRWN: JAKEENW 2013/12/26 CHKD: CCTEH 2014/03/19 APPR: SHLENI 2014/03/20 REV: B3	<b>QUALITY SYMBOLS</b> $F_{\sigma} = 0$ $F_{\sigma} = 0$ $F_{\sigma} = 0$	<b>GENERAL TOLERANCES (UNLESS SPECIFIED)</b>		<b>DIMENSION STYLE</b> MM ONLY		SCALE NTS	DESIGN UNITS METRIC	THIRD ANGLE PROJECTION		
		4 PLACES ± --- ± ---	3 PLACES ± --- ± ---	2 PLACES ± 0.13 ± ---	1 PLACE ± 0.25 ± ---	0 PLACE ± ±	DRAWN BY SHLENI	DATE 2005/03/14	TITLE MINI DIMM, 0.60MM PITCH 200/244 CKTS REVERSE R/A	
		ANGULAR ± 1 °		DRAFT WHERE APPLICABLE MUST REMAIN WITHIN DIMENSIONS		MATERIAL NO. SEE TABLE		DOCUMENT NO. SD-78001-003		SHEET NO. 3 OF 4
		THIS DRAWING CONTAINS INFORMATION THAT IS PROPRIETARY TO MOLEX INCORPORATED AND SHOULD NOT BE USED WITHOUT WRITTEN PERMISSION								

9 8 7 6 5 4 3 2 1

ASSEMBLY P/N	CKT SIZE "N"	MODULE CARD	VOLTAGE KEY	DIM 'R'	DIM 'E'	DIM 'J'	DIM 'L'	DIM 'A'	DIM 'S'	DIM 'T'	DIM 'U'	DIM 'V'	DIM 'C'	DIM 'D'	DIM 'B'	PACKAGING SPECIFICATION
78001-1200	200	DDR2	1.8 V	1.30	24.60	23.40	35.40	79.8	82.8	93.0	64.80	68.80	30.50	73.00	62.40	PK-78001-001
78001-2200		DDR	2.5 V	2.30												
78001-1244	244	DDR2	1.8 V	1.30	39.60	38.40	33.60	93.0	96.0	106.2	78.00	82.00	45.50	86.20	75.60	PK-78001-002
78001-1344		DDR3	1.5 V	2.30												PK-78001-003
78001-3244		DDR2	1.8 V	1.30												PK-78001-004
78001-3344		DDR3	1.5 V	2.30												
78001-4244		DDR2	1.8 V	1.30												
78001-4344		DDR3	1.5 V	2.30												

ADD PART NUMBER EC NO: S2014-0858 DRWN: JAKEEW 2013/12/26 CHKD: CTEH 2014/03/19 APPR: SHLENI 2014/03/20	DESCRIPTION REV B3	QUALITY SYMBOLS	GENERAL TOLERANCES (UNLESS SPECIFIED)	DIMENSION STYLE MM ONLY	SCALE NTS	DESIGN UNITS METRIC	THIRD ANGLE PROJECTION	
		$F_A = 0$ $F_G = 0$ $F_P = 0$	mm      INCH 4 PLACES ± --- ± --- 3 PLACES ± --- ± --- 2 PLACES ± 0.13 ± --- 1 PLACE ± 0.25 ± --- 0 PLACE ±      ±	DRAWN BY: SHLENI      DATE: 2005/03/14 CHECKED BY: MLONG      DATE: 2005/03/31 APPROVED BY: GGLEE      DATE: 2005/03/31	TITLE: MINI DIMM, 0.60MM PITCH 200/244 CKTS REVERSE R/A			
		ANGULAR ± 1 ° DRAFT WHERE APPLICABLE MUST REMAIN WITHIN DIMENSIONS	MATERIAL NO. SEE TABLE SIZE: A3	DOCUMENT NO. SD-78001-003 SHEET NO. 4 OF 4				
		THIS DRAWING CONTAINS INFORMATION THAT IS PROPRIETARY TO MOLEX INCORPORATED AND SHOULD NOT BE USED WITHOUT WRITTEN PERMISSION						