

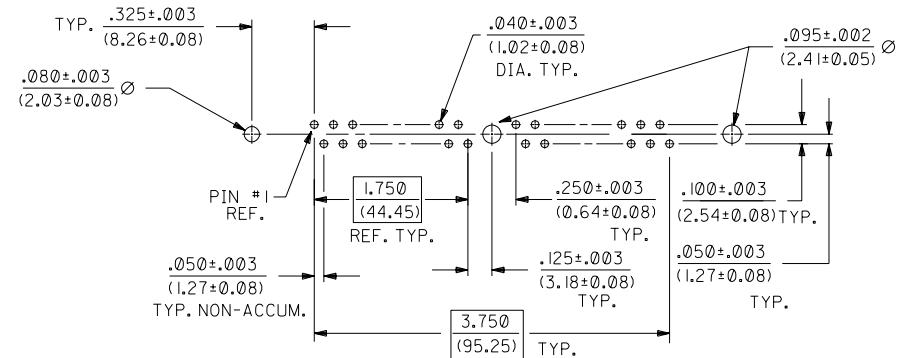
"SIMM" P.C. BOARD LAYOUT

- NOTES:
- CARD SLOT ACCEPTS $.050 + .004 / -.003$ P.C. BOARDS (MEASURED OVER P.C. PADS).
 - PRODUCT SPEC PS-78954 APPLIES
 - CENTER PEG IS AN INTERFERENCE FIT TO PCB UNLESS NOTED ON THE DWG. (APPLICABLE ONLY IF PART HAS A CENTER PEG FEATURE)

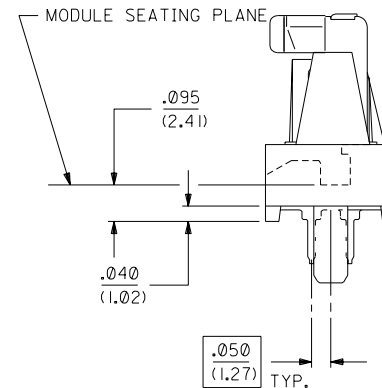
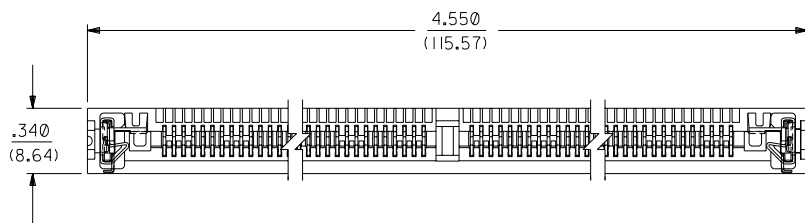
MATERIALS:

- HOUSING- LCP, GLASS FILLED, 94V-0, COLOR: BLACK
- TERMINAL- PHOSPHOR BRONZE
- PLATING- POST PLATED $30 \mu\text{in} / (0.76 \mu\text{m})$ MINIMUM GOLD IN CONTACT AREA AND $150 \mu\text{in} / (3.81 \mu\text{m})$ MINIMUM TIN IN TAIL AREA OVER $75 \mu\text{in} / (1.91 \mu\text{m})$ MINIMUM NICKEL OVERALL.
- * REFERENCE NOTE IN LOWER LEFT CORNER OF DRAWING.

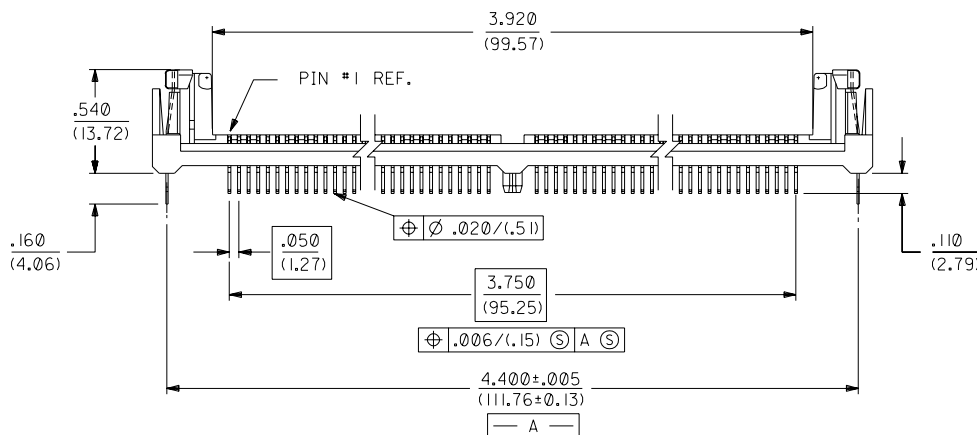
METAL LATCH- STAINLESS STEEL



RECOMMENDED SOCKET P.C. BOARD HOLE PATTERN



END VIEW SCALE 4:1



*THE PRIMARY SHIPPING CARTON WILL BE LABELED "COMPLIANT TO RoHS DIRECTIVE 2002/95/EC AND ELV ANNEX II OF DIRECTIVE 2000/53/EC" CARTONS WITHOUT THIS LABEL MAY CONTAIN PRODUCT WITH LEAD.

F	LEAD FREE UCP2004-1582 RWHITE 04/02/24
E	REVISED PER ECR# U51309 GMY 8-18-95
D	REDRAWN PER ECR U20649 AMD 6-10-92
C	REVISED/UPDATED PER ECR U0 0647 SEC 9-18-90
B	CORRECTED/REVISED PER ECR U0 0324 SEC 4-17-90
A	RELEASE FOR MFG. PER ERO 29297 SEC 12-05-89

DIMENSIONS SHOWN (METRIC) INCH		UNLESS OTHERWISE SPECIFIED TOLERANCES: ANGULAR ± 1/2°	
3 PLACE	± .010	---	---
2 PLACE	± .014	± 0.25	---
1 PLACE	---	± .035	---
DRAFT WHERE APPLICABLE MUST REMAIN WITHIN DIMENSIONS			
DRWG. BY: SEC	CHK'D. BY:	FILE NAME: S78954X34	SCALE: 2:1
PART NO. 15-82-0762		DRWG. NO. SDA-78962-7232	
MFG. SH. REV. LTR. REVISIONS		TITLE: SALES ASSEMBLY 72 CIRCUIT METAL LATCH VERTICAL SIMM SOCKET	
MOLEX INCORPORATED		SHEET NO. 1 DATE 12/05/89	
LITSE, ILL. 60532		U.S.A.	
THIS DRAWING CONTAINS INFORMATION THAT IS PROPRIETARY TO MOLEX INC. AND SHOULD NOT BE USED WITHOUT WRITTEN PERMISSION.		DA	