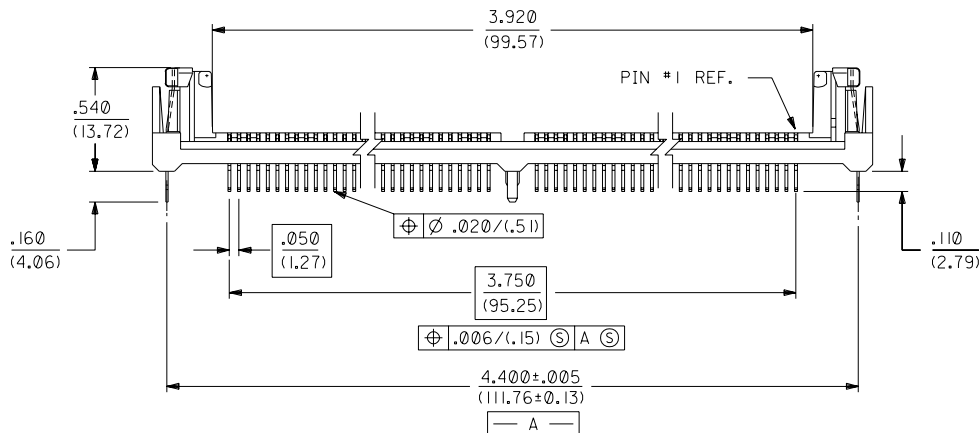
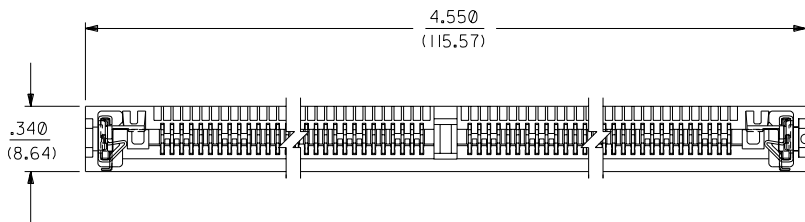


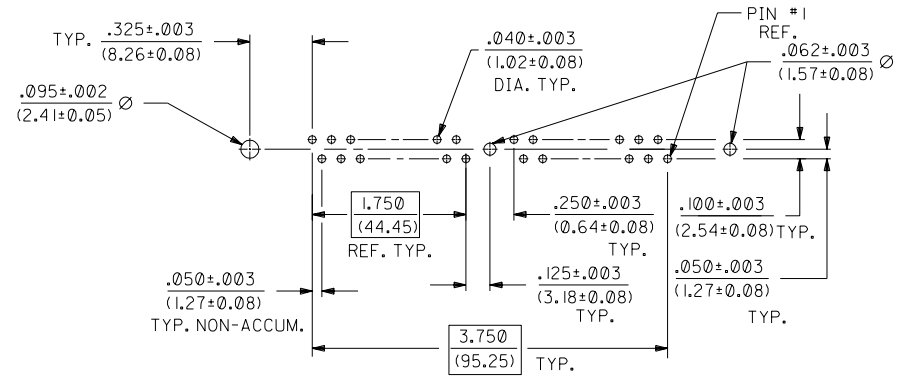
"SIMM" P.C. BOARD LAYOUT



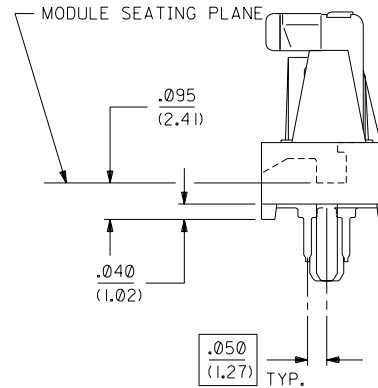
*THE PRIMARY SHIPPING CARTON WILL BE LABELED "COMPLIANT TO RoHS DIRECTIVE 2002/95/EC AND ELV ANNEX II OF DIRECTIVE 2000/53/EC" CARTONS WITHOUT THIS LABEL MAY CONTAIN PRODUCT WITH LEAD.

- NOTES:
1. CARD SLOT ACCEPTS .050 +.004/-.003 P.C. BOARDS (MEASURED OVER P.C. PADS).
 2. PRODUCT SPEC PS-78954 APPLIES
 3. CENTER PEG IS AN INTERFERENCE FIT TO PCB UNLESS NOTED ON THE DWG. (APPLICABLE ONLY IF PART HAS A CENTER PEG FEATURE)

MATERIALS:
 HOUSING- LCP, GLASS FILLED, 94V-0, COLOR: BLACK
 TERMINAL- PHOSPHOR BRONZE
 PLATING- POST PLATED 30 μin/(0.76 μm) MINIMUM GOLD IN CONTACT AREA AND 150 μin/(3.81 μm) MINIMUM TIN IN TAIL AREA OVER 75 μin/(1.91 μm) MINIMUM NICKEL OVERALL.
 * REFERENCE NOTE IN LOWER LEFT CORNER OF DRAWING.
 METAL LATCH- STAINLESS STEEL



RECOMMENDED SOCKET P.C. BOARD HOLE PATTERN



END VIEW SCALE 4:1

D	LEAD FREE UCP2004-1582 RWHITE 04/02/24
C	REVISED PER ECR# U51309 GMY 8-18-95
B	REDRAWN PER ECR U20649 AMD 6-10-92
A	RELEASE FOR MFG. PER ERO 30568 SEC 10-26-90

DIMENSIONS SHOWN (METRIC) INCH		UNLESS OTHERWISE SPECIFIED TOLERANCES: ANGULAR ± 1/2°		▽ = 0		= 0		REVISE ONLY ON CAD SYSTEM	
3 PLACE ± .010		---		INCH		METRIC		TITLE	
2 PLACE ± .014		± 0.25		---		---		SALES ASSEMBLY	
1 PLACE ---		± 0.35		---		---		REV. ROTATION METAL LATCH	
---		---		---		---		VERTICAL SIMM SOCKET	
DRAFT WHERE APPLICABLE MUST REMAIN WITHIN DIMENSIONS		---		---		---		MOLEX INCORPORATED	
---		---		---		---		SHEET NO. DATE	
---		---		---		---		1 10/26/90	
---		---		---		---		U.S.A.	
---		---		---		---		PART NO. DRWG. NO.	
---		---		---		---		15-82-0788 SDA-78962-7236	
DRWG. BY SEC		CHK'D. BY		FILE NAME		THIS DRAWING CONTAINS INFORMATION THAT IS PROPRIETARY TO MOLEX INC. AND SHOULD NOT BE USED WITHOUT WRITTEN PERMISSION		DIV. SIZE	
---		---		57896256		DA		C	
---		---		06N		---		---	