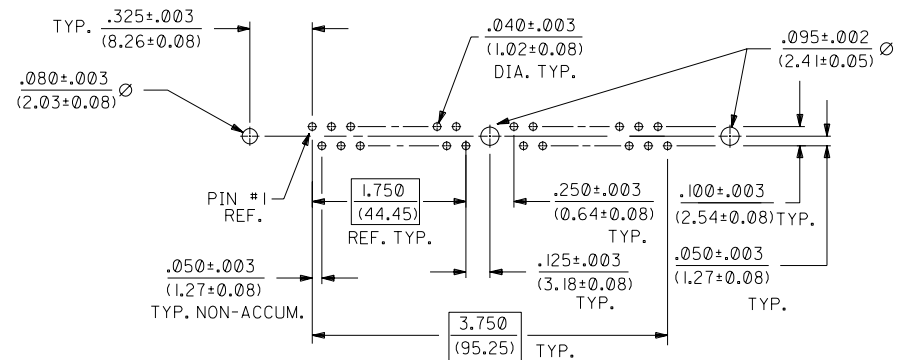


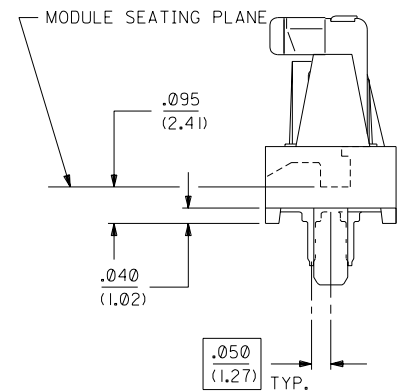
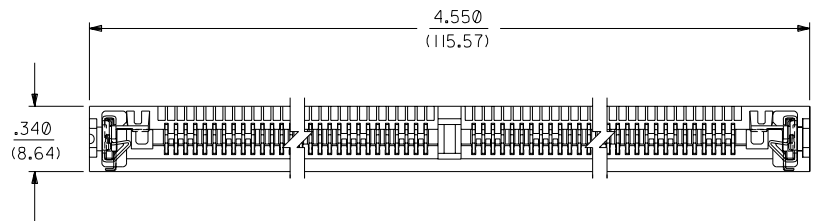
"SIMM" P.C. BOARD LAYOUT

NOTES: 1. CARD SLOT ACCEPTS .050 +.004/-.003 P.C. BOARDS (MEASURED OVER P.C. PADS).  
 2. PRODUCT SPEC PS-78954 APPLIES  
 3. CENTER PEG IS AN INTERFERENCE FIT TO PCB UNLESS NOTED ON THE DWG. (APPLICABLE ONLY IF PART HAS A CENTER PEG FEATURE)

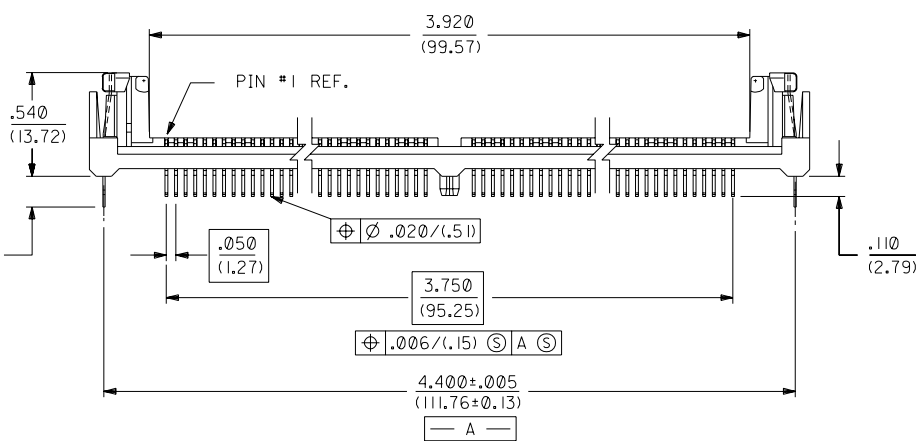
MATERIALS:  
 HOUSING- LCP, GLASS FILLED, 94V-0, COLOR: BLACK  
 TERMINAL- PHOSPHOR BRONZE  
 PLATING- POST PLATED 200  $\mu$ in/(5.08  $\mu$ m) MINIMUM TIN IN CONTACT AREA AND 150  $\mu$ in/(3.81  $\mu$ m) MINIMUM TIN IN TAIL AREA OVER 50  $\mu$ in/(1.27  $\mu$ m) MINIMUM NICKEL OVERALL  
 \* REFERENCE NOTE IN LOWER LEFT CORNER OF DRAWING.  
 METAL LATCH- STAINLESS STEEL



RECOMMENDED SOCKET P.C. BOARD HOLE PATTERN



END VIEW SCALE 4:1



\*THE PRIMARY SHIPPING CARTON WILL BE LABELED "COMPLIANT TO RoHS DIRECTIVE 2002/95/EC AND ELV ANNEX II OF DIRECTIVE 2000/53/EC" CARTONS WITHOUT THIS LABEL MAY CONTAIN PRODUCT WITH LEAD.

G	LEAD FREE UCP2004-1582 RWHITE 04/02/24
F	REVISED PER ECR U51309 GMY 8-18-95
E	CHG. TAIL LENGTH PER ECR U6-0102 DRS 07/28/95
D	CHG. TAIL LENGTH PER ECR U5-1246 DRS 06/13/95
C	REDRAWN PER ECR U20649 AMD 6-10-92
B	REVISED/UPDATED PER ECR U0-0647 SEC 9-21-90
A	ADDED EDP PER ECR 30152 KER 7-23-90
I	X-RELEASE PER ECR 30151 KER 7-13-90

DIMENSIONS SHOWN (METRIC) INCH UNLESS OTHERWISE SPECIFIED TOLERANCES: ANGULAR $\pm 1/2^\circ$		MFG, SH, REV, LTR, REVISIONS	
3 PLACE $\pm .010$ ---		REVISIONS	
2 PLACE $\pm .014$ $\pm 0.25$		TITLE	
1 PLACE --- $\pm 0.35$		SALES ASSEMBLY	
DRAFT WHERE APPLICABLE MUST REMAIN WITHIN DIMENSIONS		72 CIRCUIT, METAL LATCH	
DRWG. BY: KER		MOLEX INCORPORATED	
CHK'D. BY:		SHEET NO. 1 OF 1	
APPR. BY:		DATE 07/13/90	
SCALE 2:1		PART NO. 15-82-0775	
FILE NAME S70562K39		DRWG. NO. SDA-78962-7231	
THIS DRAWING CONTAINS INFORMATION THAT IS PROPRIETARY TO MOLEX INC. AND SHOULD NOT BE USED WITHOUT WRITTEN PERMISSION		DIV. DA	