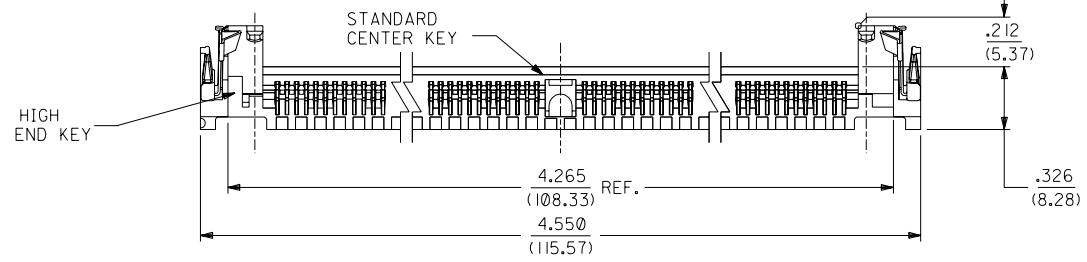
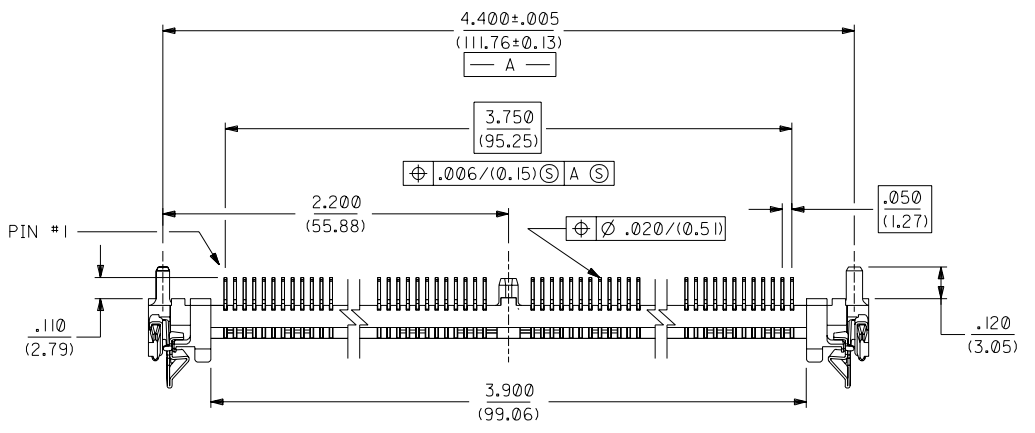
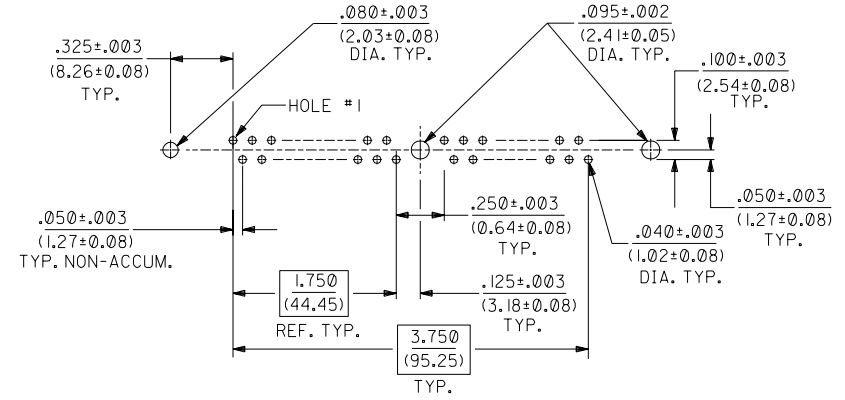


"SIMM" P.C. BOARD LAYOUT

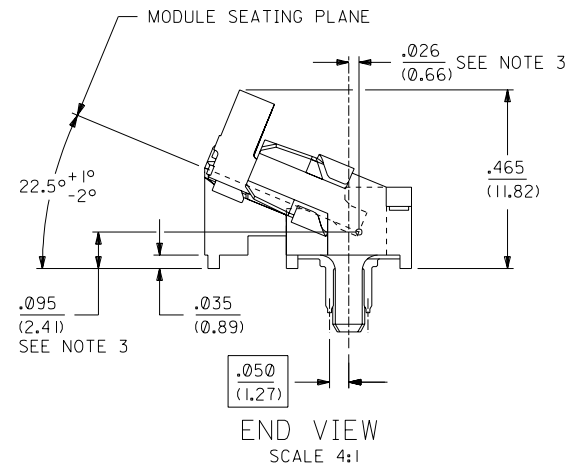


- NOTES:
- CARD SLOT ACCEPTS P.C. BOARDS .050 +.004/-.003 THICK, MEASURED OVER CONTACT PADS. (1.27 +0.10/-0.08)
  - PRODUCT SPEC PS-78954 APPLIES.
  - LOCATION OF LOWER CORNER OF MODULE BOARD.
  - CENTER PEG IS AN INTERFERENCE FIT TO RECOMMENDED P.C. BOARD HOLE.

- MATERIALS:
- HOUSING: LCP, GLASS FILLED, 94V-0. COLOR: BLACK.
  - LATCH: STAINLESS STEEL.
  - TERMINAL: PHOSPHOR BRONZE, POST PLATED
  - 200 μIN./ (5.08μm) MIN. TIN IN CONTACT AREA AND
  - 150 μIN./ (3.81μm) MIN. TIN IN TAIL AREA OVER
  - 50 μIN./ (1.27μm) MIN. NICKEL OVERALL.
- \*THE PRIMARY SHIPPING CARTON WILL BE LABELED "COMPLIANT TO RoHS DIRECTIVE 2002/95/EC AND ELV ANNEX II OF DIRECTIVE 2000/53/EC". CARTONS WITHOUT THIS LABEL MAY CONTAIN PRODUCT WITH LEAD.



RECOMMENDED SOCKET P.C. BOARD HOLE PATTERN



H	LEAD FREE UCP2004-1582 RWHITE 04/02/25
G	REVISED PER ECN #U51394 GMY 7-18-95
F	REVISED PEG LENGTH PER ECN #U30751 MJS 6-8-93
E	DEL. FEATURE CONTROL BLOCK PER ECN #U21881 PDB 12-28-92
D	.010 BLOCK TOL WAS .050 PER ECN #U2290 PDB 08-27-92
C	REMOVED TRACKING TOES PER ECN #U20914 PDB 06-17-92
B	REVISED SALES MASTER PER ECN #U11871 PDB 09-10-91
A	RELEASE PER ECN #U10303 PDB 01-18-91

DIMENSIONS SHOWN (METRIC) INCH UNLESS OTHERWISE SPECIFIED TOLERANCES: ANGULAR ± 1/2°		▽ = 0 = 0 REVISION ONLY ON CAD SYSTEM	
TITLE SALES ASSEMBLY 22.5 METAL LATCH HIGH KEY SINGLE ROW SIMM SOCKET		SHEET NO. DATE 1 OF 1 01/18/91	
3 PLACE ± .010 --- 2 PLACE ± .014 ± 0.25 1 PLACE --- ± 0.36		MFG. SH. REV. LTR. REVISIONS	
DRAFT WHERE APPLICABLE MUST REMAIN WITHIN DIMENSIONS		PART NO. DRWG. NO. 15-82-0678 SDA-78964-7231	
DRWG. PDB CHK'D. BY SCALE 2: 1		FILE NAME DIV. SIZE ST056430 02N MOLEX INC. AND SHOULD NOT BE USED WITHOUT WRITTEN PERMISSION	