

詳細 D  
DETAIL D  
(SCALE:5-1)

注記 1. 材料 ハウジング : ガラス入り耐熱樹脂、白色、UL94V-0  
MATERIAL HOUSING : G.F.HEAT RESISTANT PLASTIC,WHITE,UL94V-0  
ターミナル : 磷青銅  
TERMINAL : PHOSPHOR BRONZE  
ネイル : 黄銅  
NAIL : BRASS

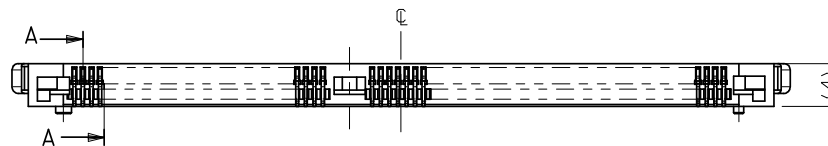
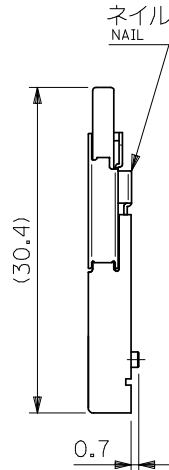
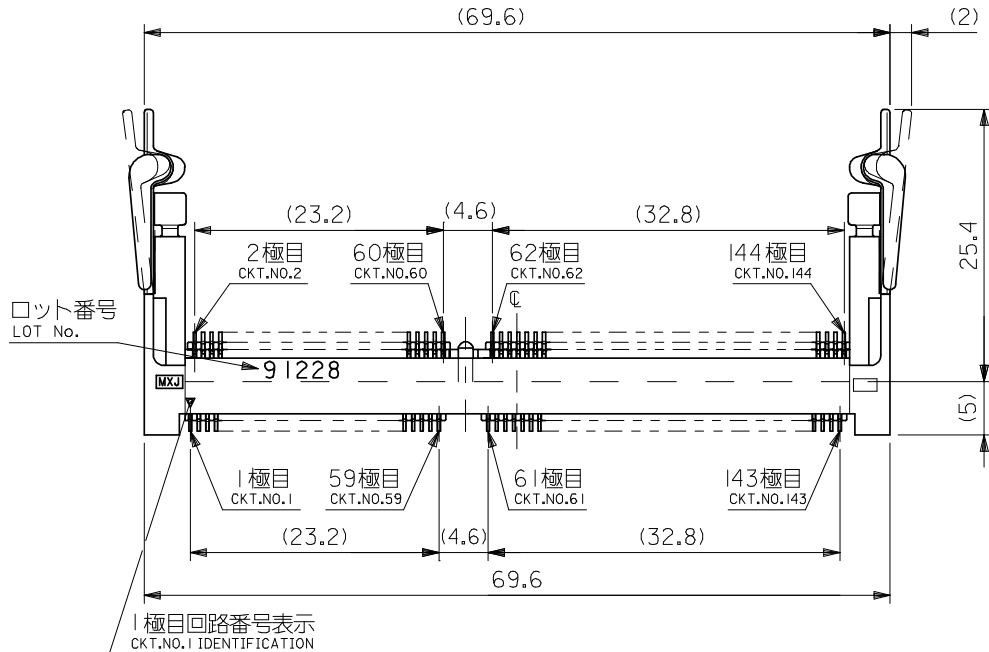
2. めっき仕様  
PLATING

ロングターミナル  
LONG TERMINAL  
接点部 : 金めっき 0.25μmMIN.  
CONTACT AREA : GOLD 0.25 μmMIN.  
半田付け部 : 半田めっき 1.0μmMIN.  
SOLDER TAIL AREA : TIN-LEAD 1.0μmMIN.  
下地めっき : ニッケルめっき 2.0μmMIN.  
UNDER-PLATING : NICKEL 2.0μmMIN.

ショートターミナル  
SHORT TERMINAL  
接点部 : 金めっき 0.25μmMIN.  
CONTACT AREA : GOLD 0.25 μmMIN.  
半田付け部 : 金めっき 0.3μmMAX.  
SOLDER TAIL AREA : GOLD 0.3μmMAX.  
下地めっき : ニッケルめっき 2.0μmMIN.  
UNDER-PLATING : NICKEL 2.0μmMIN.

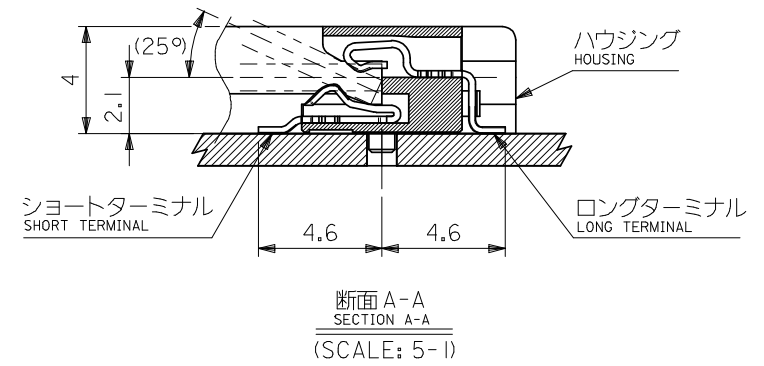
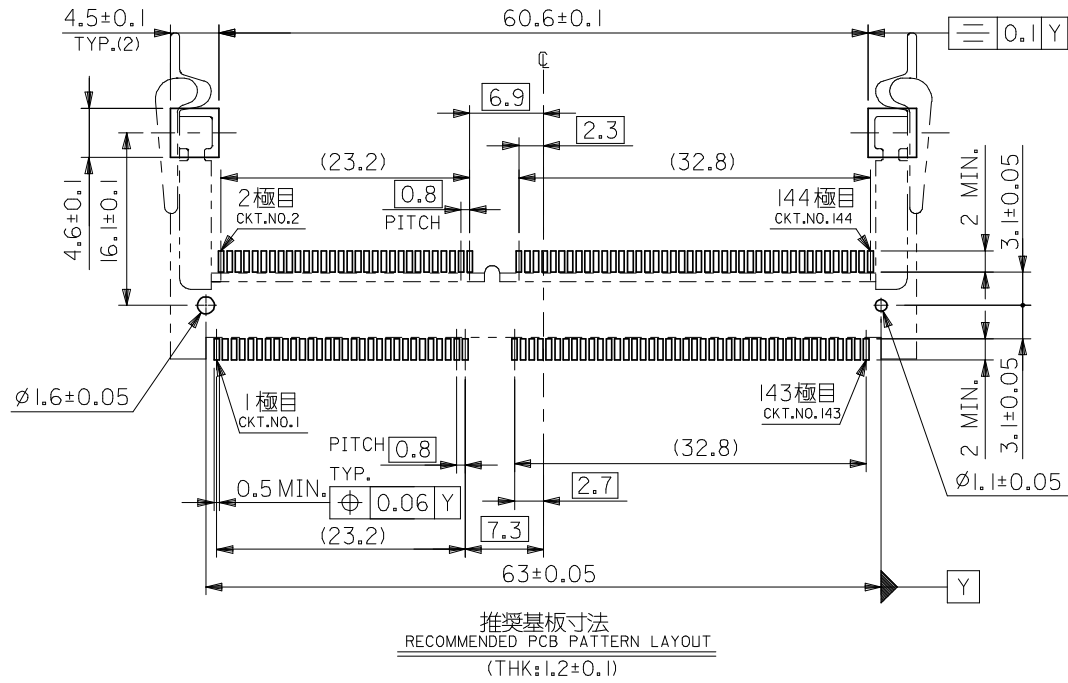
ネイル  
NAIL  
半田めっき : 2.0μmMIN.  
TIN-LEAD : 2.0μmMIN.

3. テール平坦度は、0.1 MAX.とする。  
TAIL COPLANARITY TO BE 0.1 MAX.  
ネイル平坦度は、0.1 MAX.とする。  
NAIL COPLANARITY TO BE 0.1 MAX.

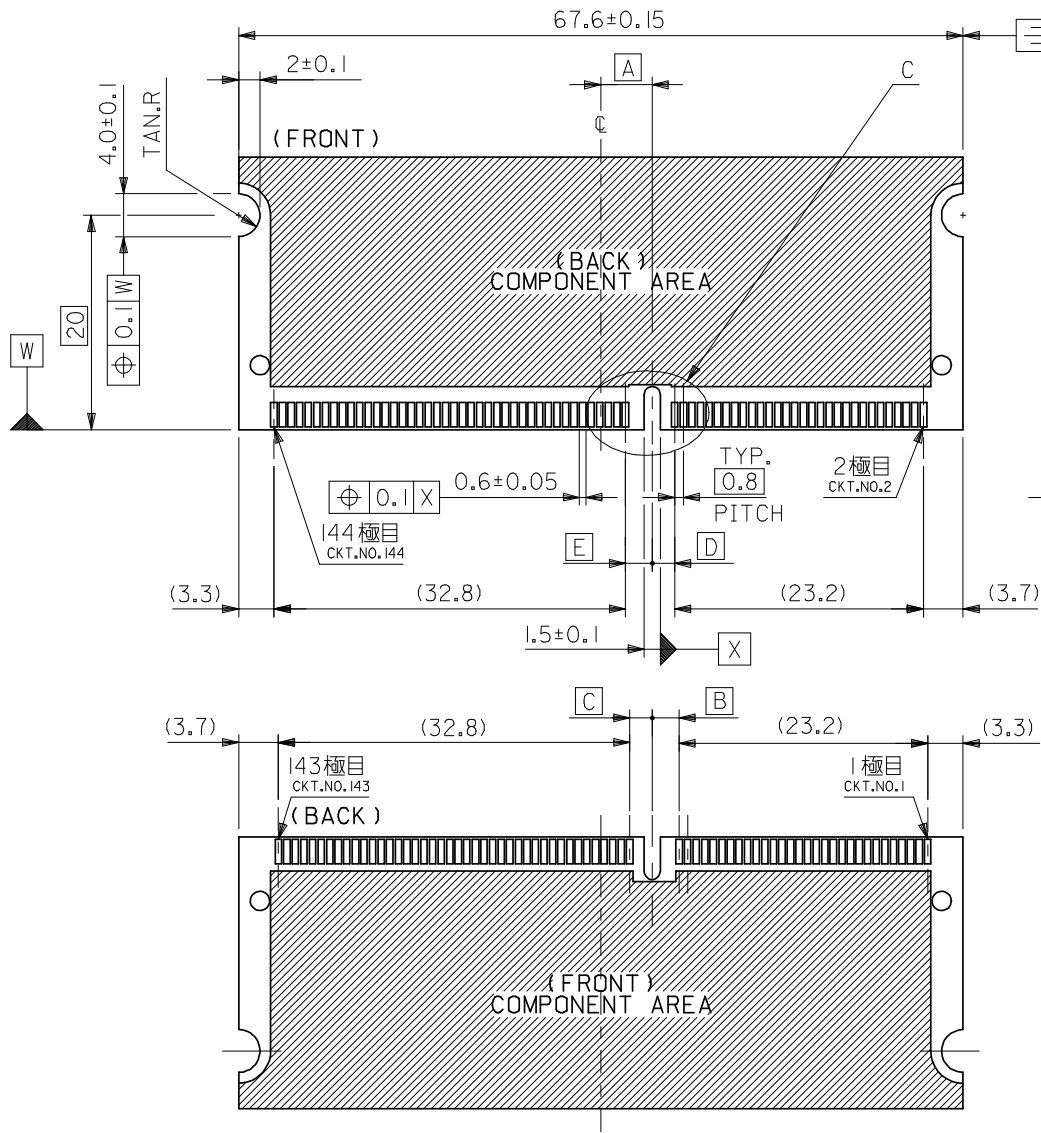


2.5	2.1	2.1	2.5	4.8	3.3V	標準トレイ NORMAL TRAY	54697-1440	54697-144*
E	D	C	B	A	POWER SUPPLY	梱包トレイ PACKAGING TRAY	MATERIAL NO.	MODEL NO.

REVISED EC NO: J2008-1539 DRW: NK INOSHITA 2008/04/09 CHK: T. HARUYAMA 2008/04/09 APPR: NUKITA 2008/06/09	GENERAL TOLERANCES (UNLESS SPECIFIED)		DIMENSION STYLE MM ONLY		SCALE 2:1	DESIGN UNITS METRIC	THIRD ANGLE PROJECTION	
	10 UNDER	±0.2	DRAWN BY T. KANEKO		DATE '99/9/27		TITLE 0.8MM PITCH S.O.DIMM SOCKET 144CKT. HEIGHT 4MM	
	10 OVER 30 UNDER	±0.25	CHECKED BY J. MIYAZAWA		DATE '99/9/27		MOLEX INCORPORATED	
	30 OVER	±0.3	APPROVED BY H. IKESUGI		DATE '99/9/27			
	ANGULAR ±3 °		DRAFT WHERE APPLICABLE MUST REMAIN WITHIN DIMENSIONS		MATERIAL NO. SEE TABLE		DOCUMENT NO. SD-54697-001	SHEET NO. 1 OF 3
SIZE A3		THIS DRAWING CONTAINS INFORMATION THAT IS PROPRIETARY TO MOLEX INCORPORATED AND SHOULD NOT BE USED WITHOUT WRITTEN PERMISSION						



REVISED EC NO: J2008-1539 DRW:K INOSHITA 2008/04/09 CHK:D T. HARUYAMA 2008/04/09 APPR: NUKITA 2008/06/09	GENERAL TOLERANCES (UNLESS SPECIFIED)		DIMENSION STYLE MM ONLY		SCALE 2:1	DESIGN UNITS METRIC	THIRD ANGLE PROJECTION	
	10 UNDER	±0.2	DRAWN BY T. KANEKO	DATE '99/9/27	TITLE 0.8MM PITCH S.O.DIMM SOCKET 144CKT. HEIGHT 4MM			
	10 OVER 30 UNDER	±0.25	CHECKED BY J. MIYAZAWA	DATE '99/9/27				
	30 OVER	±0.3	APPROVED BY H. IKESUGI	DATE '99/9/27	MOLEX INCORPORATED DOCUMENT NO. SD-54697-001 SHEET NO. 2 OF 3			
	ANGULAR	±3 °	MATERIAL NO. SEE SHEET 1					
	DRAFT WHERE APPLICABLE MUST REMAIN WITHIN DIMENSIONS			SIZE A3		THIS DRAWING CONTAINS INFORMATION THAT IS PROPRIETARY TO MOLEX INCORPORATED AND SHOULD NOT BE USED WITHOUT WRITTEN PERMISSION		



推奨基板寸法  
RECOMMENDED MATING BOARD CONFIGURATION  
(THK:1.0±0.1)

REVISED EC NO: J2008-1539 DRAWN: K INOSHITA 2008/04/09 CHKD: T HARUYAMA 2008/04/09 APPR: NUKITA 2008/06/09	GENERAL TOLERANCES (UNLESS SPECIFIED)		DIMENSION STYLE MM ONLY	SCALE 2:1	DESIGN UNITS METRIC	THIRD ANGLE PROJECTION
	10 UNDER	±0.2	DRAWN BY T. KANEKO	DATE '99/9/27	<b>0.8MM PITCH S.O.DIMM SOCKET 144CKT. HEIGHT 4MM</b>  <b>MOLEX INCORPORATED</b> DOCUMENT NO. SD-54697-001 SHEET NO. 3 OF 3	
	10 OVER 30 UNDER	±0.25	CHECKED BY J. MIYAZAWA	DATE '99/9/27		
	30 OVER	±0.3	APPROVED BY H. IKESUGI	DATE '99/9/27		
	ANGULAR	±3 °	MATERIAL NO.	SEE SHEET 1		
DRAFT WHERE APPLICABLE MUST REMAIN WITHIN DIMENSIONS		SIZE A3	THIS DRAWING CONTAINS INFORMATION THAT IS PROPRIETARY TO MOLEX INCORPORATED AND SHOULD NOT BE USED WITHOUT WRITTEN PERMISSION			