

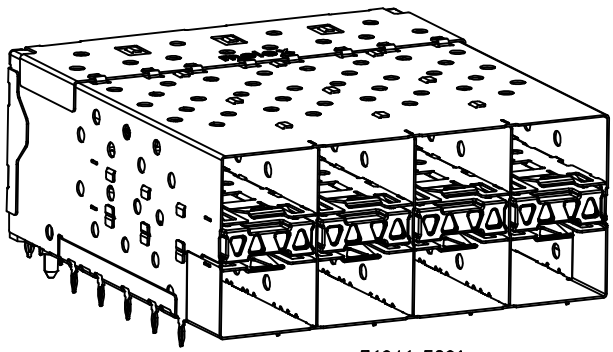
NOTES

1. MATERIAL:
 CAGE: NICKEL SILVER, THICKNESS: 0.25mm
 CONNECTOR HOUSING: GLASS FILLED LIQUID CRYSTAL POLYMER (LCP), UL 94V-0, COLOR: BLACK
 OVERMOLD TERMINAL HOUSING: GLASS FILLED LIQUID CRYSTAL POLYMER (LCP), UL 94V-0, COLOR: BLACK
 TERMINALS: TIN BRASS
 LIGHTPIPE HOUSING: ZINC
 LIGHTPIPER: POLYCARBONATE, COLOR: CLEAR
2. FINISHES:
 TERMINALS: CONTACT AREA: 0.76 MICROMETERS MINIMUM HARD GOLD OVER 1.27 MICROMETERS MINIMUM NICKEL.
 COMPLIANT TAIL: 0.76 TO 1.52 MICROMETERS MATTE TIN OVER 0.76 MICROMETERS MINIMUM NICKEL.
 LIGHTPIPE HOUSING: 80 MICROMETERS MINIMUM NICKEL OVER COPPER
3. REFER TO PS-75310-001 PRODUCT SPEC FOR ALL ELECTRICAL, MECHANICAL AND ENVIRONMENTAL SPECIFICATIONS.
4. LIGHT PIPE PAD LAYOUT IS FOR 0805 LOW-PROFILE LED PACKAGE, FOR OTHER RECOMMENDED LAYOUTS REFER TO MOLEX'S REPORT TS-75310-001.
5. REFER TO PK-75450-001 FOR ALL PACKAGING SPECIFICATIONS.
6. ALL EXTERIOR SURFACES TO BE CLASS "B" SURFACE EXCEPT THE UNDER SIDE OF THE CAGE (CLASS "C") WHERE THE PCB WOULD BE LOCATED AND AS OTHERWISE NOTED.
 THE SURFACES TO CONFORM TO THE MOLEX COSMETIC DOC PS-45499-002.
7. REFER TO AS-76090-001 FOR HIGH SPEED ROUTING RECOMMENDATIONS.
8. DATE CODE LOCATION IS SHOWN ABOVE.

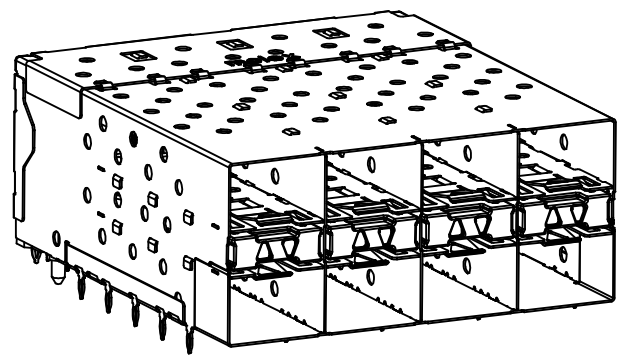
DATE CODE FORMAT: DDDY MX A1
 DDD = DAY OF THE YEAR
 Y = YEAR
 MX = MOLEX
 A = ALPHA CHARACTER - INDICATES MANUFACTURING LINE
 1 = NUMERIC CHARACTER - INDICATES PRODUCTION SHIFT

PART NUMBER	LIGHT PIPE CONFIGURATION - SEE SHEET 2	CAGE PLATING
76046-5901	4 LIGHT PORTS	NONE
	INNER 2 PORTS	NONE
	OUTER 2 PORTS	NONE

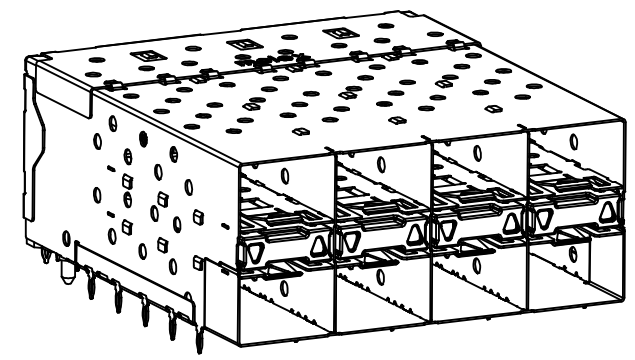
INITIAL RELEASE EC NO: UCP2014-0581 DRWN:BBARKER 2013/08/06 CHKD: APPR:SMILLER 2013/12/20	DESCRIPTION QUALITY SYMBOLS ▽=0 ▽=0 ▽=0	GENERAL TOLERANCES (UNLESS SPECIFIED)		DIMENSION STYLE MM ONLY		SCALE 3:1	DESIGN UNITS METRIC	THIRD ANGLE PROJECTION		
		mm		INCH		DRAWN BY DATE BBARKER 2013/08/06		TITLE STACKED SFP+ 2X4 ASS'Y NO GASKET/FLANGE WITH LIGHTPIPER molex DOCUMENT NO. RSD-76046-5900 SHEET NO. 1 OF 4		
		4 PLACES ± --- ± ---		3 PLACES ± --- ± ---		CHECKED BY DATE TIBARRA 2013/08/08				
		2 PLACES ± 0.13 ± ---		1 PLACE ± 0.25 ± ---		APPROVED BY DATE SMILLER 2013/12/20				
0 PLACE ± ±		ANGULAR ± 5 °		MATERIAL NO. SEE TABLE						
DRAFT WHERE APPLICABLE MUST REMAIN WITHIN DIMENSIONS				SIZE C		THIS DRAWING CONTAINS INFORMATION THAT IS PROPRIETARY TO MOLEX INCORPORATED AND SHOULD NOT BE USED WITHOUT WRITTEN PERMISSION				



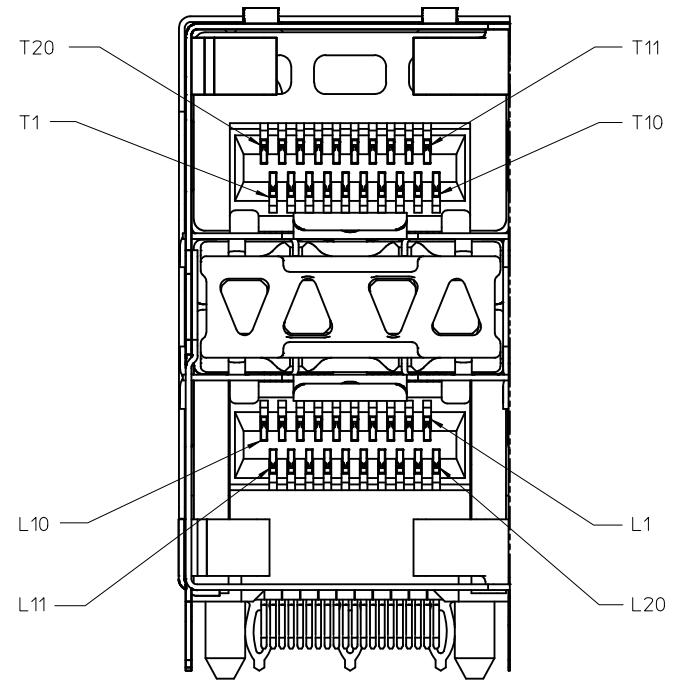
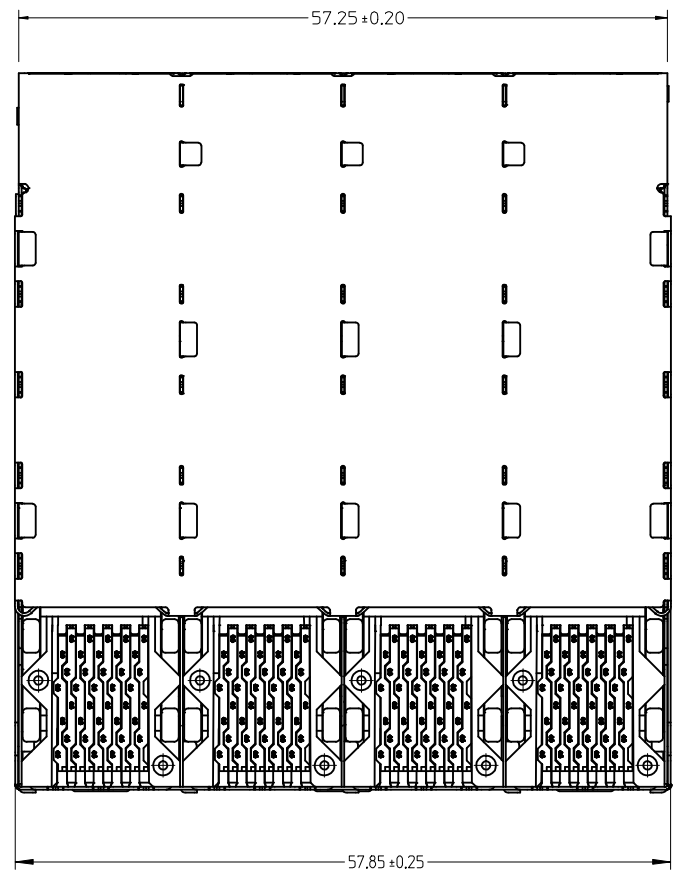
76046-5901
WITH INNER & OUTER LIGHTPIPE PORTS



WITH INNER LIGHTPIPE PORTS

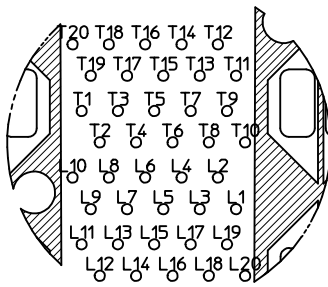


WITH OUTER LIGHTPIPE PORTS

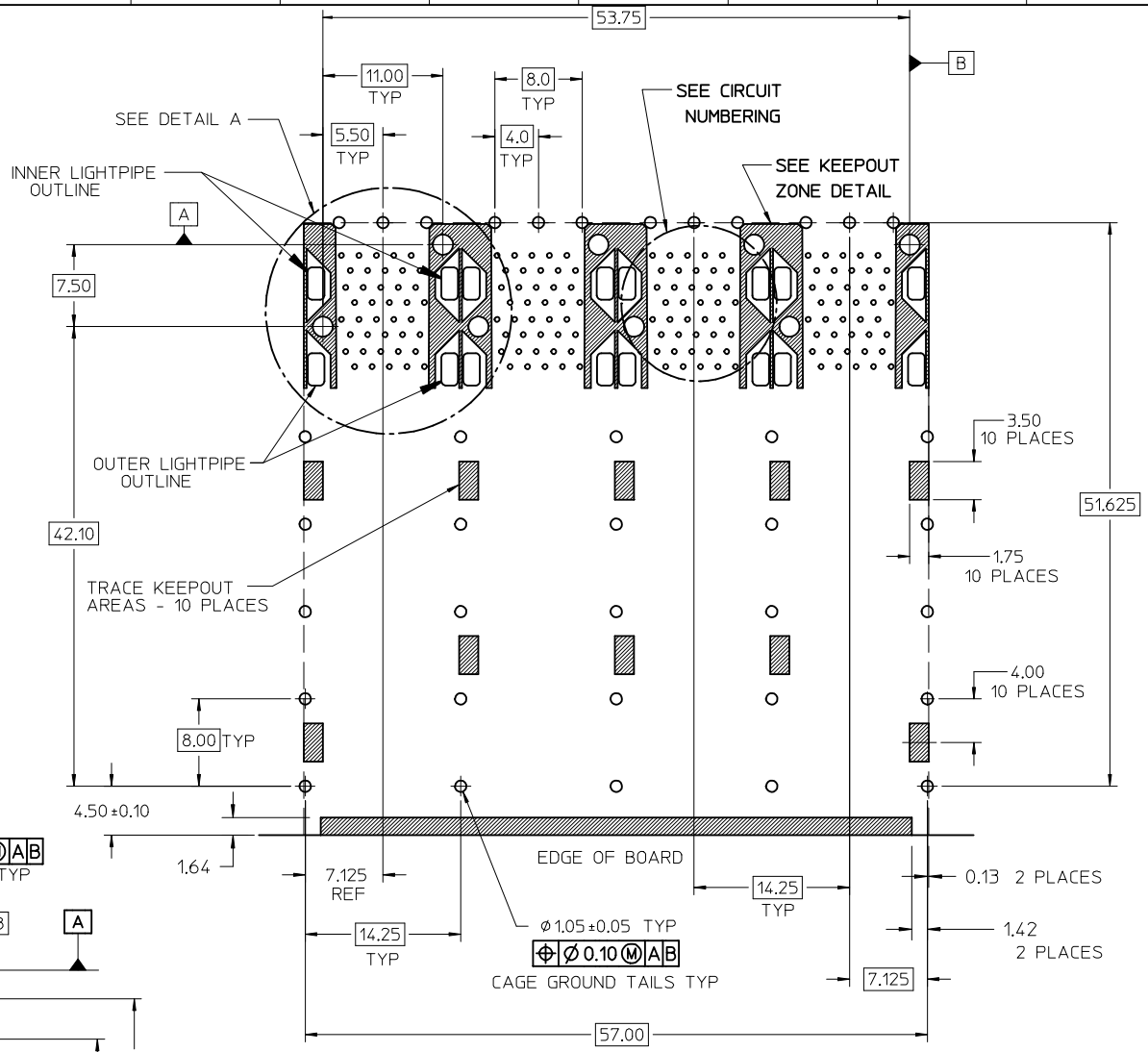


DETAIL B SCALE 6:1
CIRCUIT NUMBERING AND LIGHTPIPE IDENTIFICATION

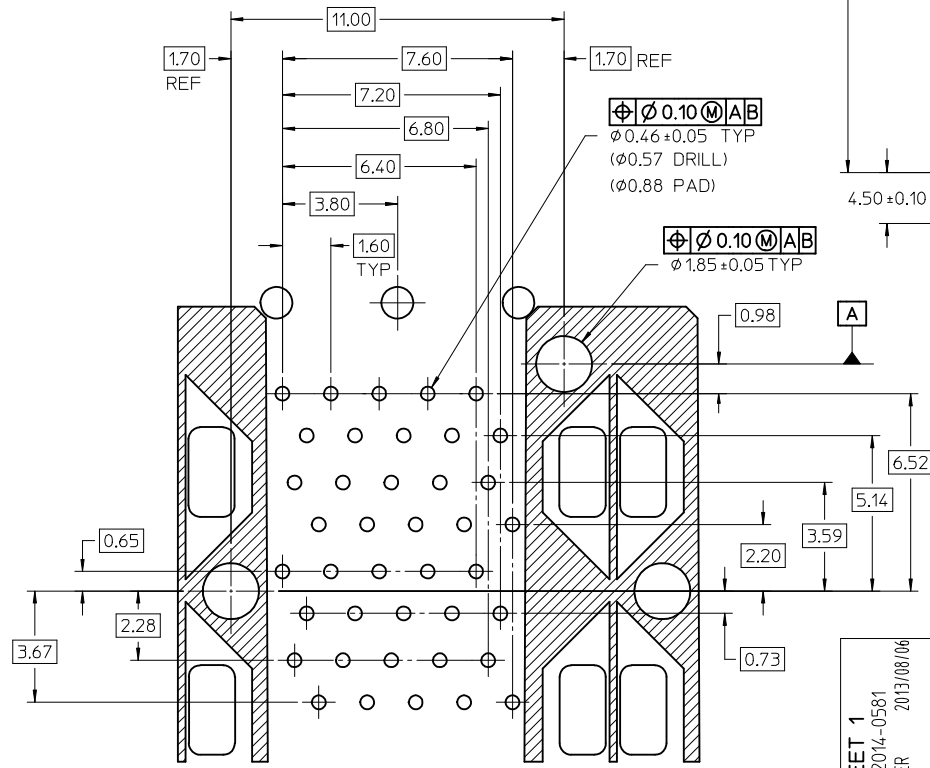
SEE SHEET 1 EC NO: UCP2014-0581 DRWN:BBARKER 2013/08/06 CHKD: APPR:SMILLER 2013/12/20 REVISIONS A	QUALITY SYMBOLS ∇=0 ∇=0 ∇=0	GENERAL TOLERANCES (UNLESS SPECIFIED) mm INCH 4 PLACES ± --- ± --- 3 PLACES ± --- ± --- 2 PLACES ± 0.13 ± --- 1 PLACE ± 0.25 ± --- 0 PLACE ± ± ANGULAR ± 5 ° DRAFT WHERE APPLICABLE MUST REMAIN WITHIN DIMENSIONS	DIMENSION STYLE MM ONLY DRAWN BY DATE BBARKER 2013/08/06 CHECKED BY DATE TIBARRA 2013/08/08 APPROVED BY DATE SMILLER 2013/12/20 MATERIAL NO. SEE TBL, SHT 1	SCALE 3:1 DESIGN UNITS METRIC THIRD ANGLE PROJECTION STACKED SFP+ 2X4 ASS'Y NO GASKET/FLANGE WITH LIGHTPIPES molex DOCUMENT NO. RSD-76046-5900 SHEET NO. 2 OF 4	
	THIS DRAWING CONTAINS INFORMATION THAT IS PROPRIETARY TO MOLEX INCORPORATED AND SHOULD NOT BE USED WITHOUT WRITTEN PERMISSION				



CIRCUIT NUMBERING
COMPONENT SIDE OF BOARD

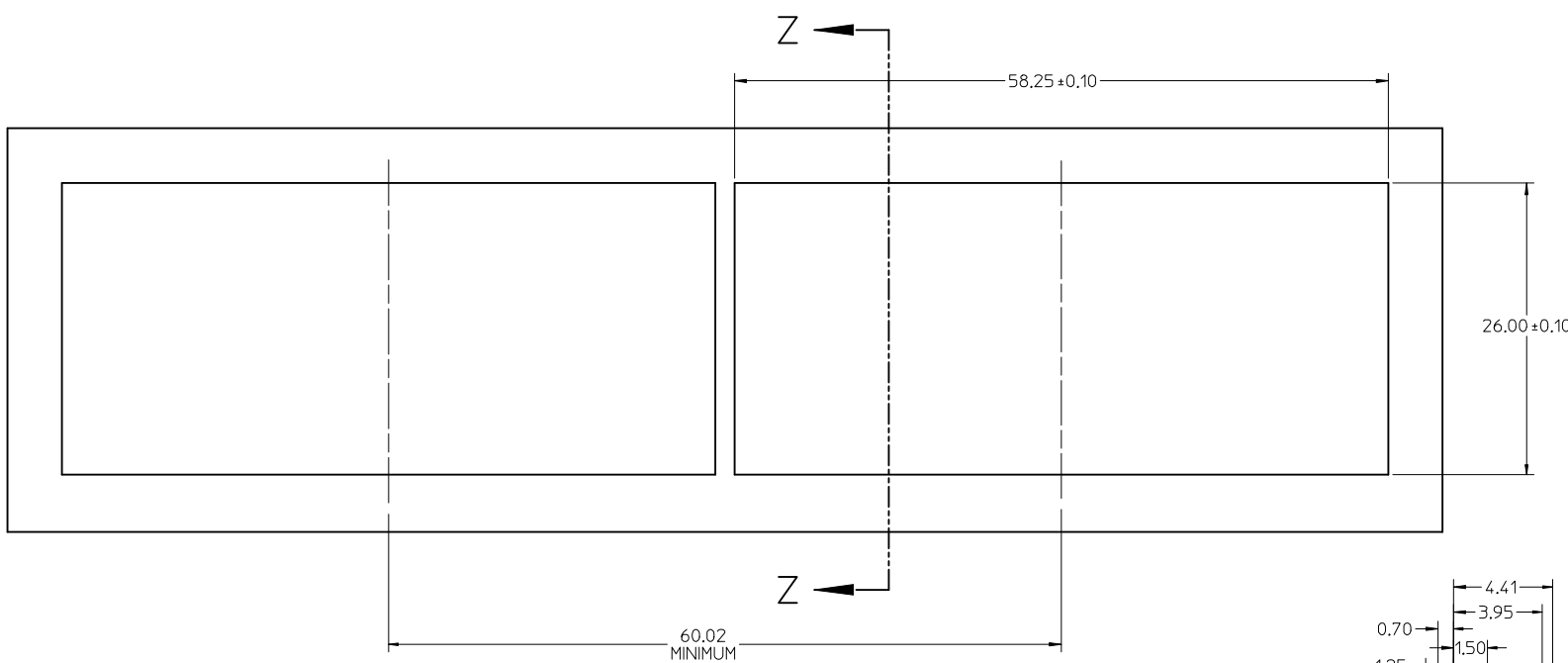


RECOMMENDED PCB LAYOUT - COMPONENT SIDE
MINIMUM PCB THICKNESS OF 157MM
THE ENTIRE AREA OF THE CONNECTOR FOOTPRINT
TO BE CONSIDERED THE KEEP OUT AREA INDICATED
BY THE DASHED LINE

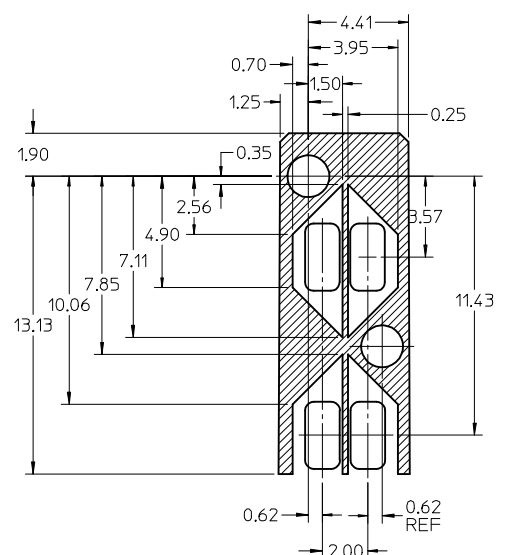


DETAIL A
SCALE 8:1

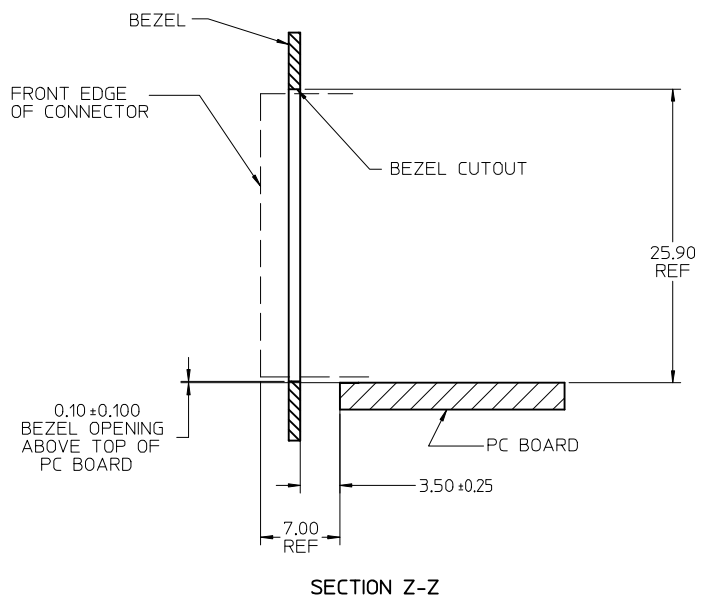
SEE SHEET 1 EC NO: UCP2014-0581 DRAWN: BBARKER 2013/08/06 CHKD: APPR: MILLER 2013/12/20	QUALITY SYMBOLS ▽=0 ▽=0 ▽=0	GENERAL TOLERANCES (UNLESS SPECIFIED)		DIMENSION STYLE MM ONLY		SCALE 3:1	DESIGN UNITS METRIC	THIRD ANGLE PROJECTION	
			mm	INCH	DRAWN BY BBARKER	DATE 2013/08/06	TITLE STACKED SFP+ 2X4 ASS'Y NO GASKET/FLANGE WITH LIGHTPIPES	DOCUMENT NO. RSD-76046-5900	
		4 PLACES	± ---	± ---	CHECKED BY TIBARRA	DATE 2013/08/08	SHEET NO. 3 OF 4		
		3 PLACES	± ---	± ---	APPROVED BY SMILLER	DATE 2013/12/20	THIS DRAWING CONTAINS INFORMATION THAT IS PROPRIETARY TO MOLEX INCORPORATED AND SHOULD NOT BE USED WITHOUT WRITTEN PERMISSION		
		2 PLACES	± 0.13	± ---					
		1 PLACE	± 0.25	± ---					
		0 PLACE	±	±					
		ANGULAR ± 5°		MATERIAL NO.					
		DRAFT WHERE APPLICABLE MUST REMAIN WITHIN DIMENSIONS		SEE TBL, SHT 1					



BEZEL CUTOUT CENTER SPACING DETAIL
BEZEL THICKNESS 0.8-2.6

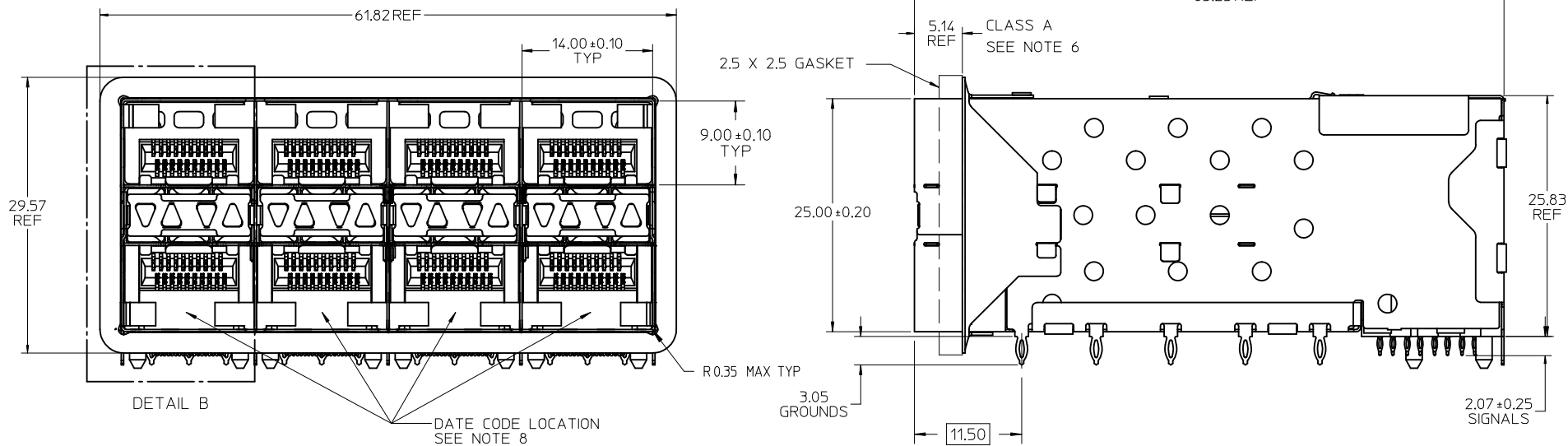


KEEP OUT ZONE DETAIL - LIGHTPIPE LOCATION AND OTHER ZONES
SCALE 6:1



SECTION Z-Z

SEE SHEET 1 EC NO: UCP2014-0581 DRWN:BBARKER 2013/08/06 CHKD: APPR:SMILLER 2013/12/20 REV: A	QUALITY SYMBOLS	GENERAL TOLERANCES (UNLESS SPECIFIED)	DIMENSION STYLE	SCALE	DESIGN UNITS	THIRD ANGLE PROJECTION
	▽=0	mm INCH	MM ONLY	3:1	METRIC	□
	▽=0	4 PLACES ± --- ± ---	DRAWN BY DATE	TITLE	STACKED SFP+ 2X4 ASS'Y NO GASKET/FLANGE WITH LIGHTPIPES molex	
	▽=0	3 PLACES ± --- ± ---	BBARKER 2013/08/06	3		
REV: A	DESCRIPTION	1 PLACE ± 0.13 ± ---	CHECKED BY DATE	DOCUMENT NO.	SHEET NO.	
		0 PLACE ± ±	TIBARRA 2013/08/08	RSD-76046-5900	4 OF 4	
		ANGULAR ± 5 °	APPROVED BY DATE	THIS DRAWING CONTAINS INFORMATION THAT IS PROPRIETARY TO MOLEX. INCORPORATED AND SHOULD NOT BE USED WITHOUT WRITTEN PERMISSION		
		DRAFT WHERE APPLICABLE MUST REMAIN WITHIN DIMENSIONS	SMILLER 2013/12/20			



NOTES

1. MATERIAL:

- CAGE: NICKEL SILVER, THICKNESS: 0.25mm
- CONNECTOR HOUSING: GLASS FILLED LIQUID CRYSTAL POLYMER (LCP), UL 94V-0, COLOR: BLACK
- OVERMOLD TERMINAL HOUSING: GLASS FILLED LIQUID CRYSTAL POLYMER (LCP), UL 94V-0, COLOR: BLACK
- TERMINALS: TIN BRASS
- EMI GASKET: CONDUCTIVE ELASTOMER
- LIGHTPIPE HOUSING: ZINC
- LIGHTPIPES: POLYCARBONATE, COLOR: CLEAR

2. FINISHES:

- TERMINALS: CONTACT AREA: 0.76 MICROMETERS MINIMUM HARD GOLD OVER 1.27 MICROMETERS MINIMUM NICKEL.
- COMPLIANT TAIL - MATTE TIN/LEAD OPTION: 0.76 TO 1.52 MICROMETERS 90/10 MATTE TIN-LEAD OVER 0.76 MICROMETERS MINIMUM NICKEL.
- COMPLIANT TAIL - MATTE TIN OPTION: 0.76 TO 1.52 MICROMETERS MATTE TIN OVER 0.76 MICROMETERS MINIMUM NICKEL.
- LIGHTPIPE HOUSING: 80 MICROMETERS MINIMUM NICKEL OVER COPPER

- 3. REFER TO PS-75310-001 PRODUCT SPEC FOR ALL ELECTRICAL, MECHANICAL AND ENVIRONMENTAL SPECIFICATIONS.
- 4. LIGHT PIPE PAD LAYOUT IS FOR 0805 LOW-PROFILE LED PACKAGE, FOR OTHER RECOMMENDED LAYOUTS REFER TO MOLEX'S REPORT TS-75310-001.
- 5. REFER TO PK-75450-001 FOR ALL PACKAGING SPECIFICATIONS.
- 6. ALL EXTERIOR SURFACES TO BE CLASS 'B' SURFACE EXCEPT THE UNDER SIDE OF THE CAGE WHERE THE PCB WOULD BE LOCATED AND AS NOTED. THE SURFACES TO CONFORM TO THE MOLEX COSMETIC DOC PS-45499-002.
- 7. REFER TO AS-76090-001 FOR HIGH SPEED ROUTING RECOMMENDATIONS.
- 8. DATE CODE LOCATION IS SHOWN ABOVE.

DATE CODE FORMAT: DDDY MX A1

DDD = DAY OF THE YEAR

Y = YEAR

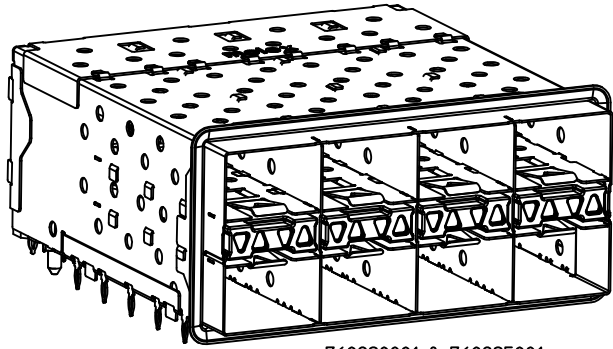
MX = MOLEX

A = ALPHA CHARACTER - INDICATES MANUFACTURING LINE

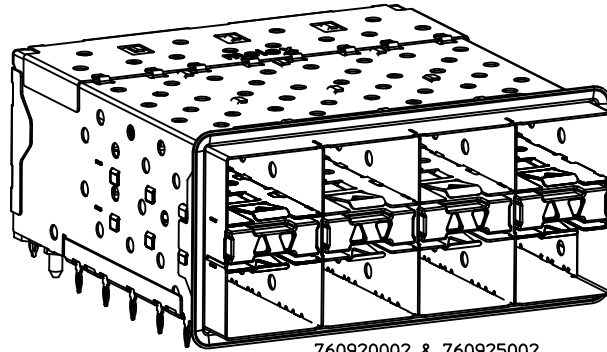
1 = NUMERIC CHARACTER - INDICATES PRODUCTION SHIFT

PART NUMBER	DESCRIPTION	VIEW	COMPLIANT TAIL PLATING	CAGE PLATING
760920001	4 LIGHT PORTS	SEE PG 2	MATTE TIN / LEAD	N/A
760920002	INNER 2 PORTS	SEE PG 2	MATTE TIN / LEAD	N/A
760920003	OUTER 2 PORTS	SEE PG 2	MATTE TIN / LEAD	N/A
760925001	4 LIGHT PORTS	SEE PG 2	MATTE TIN	N/A
760925002	INNER 2 PORTS	SEE PG 2	MATTE TIN	N/A
760925003	OUTER 2 PORTS	SEE PG 2	MATTE TIN	N/A

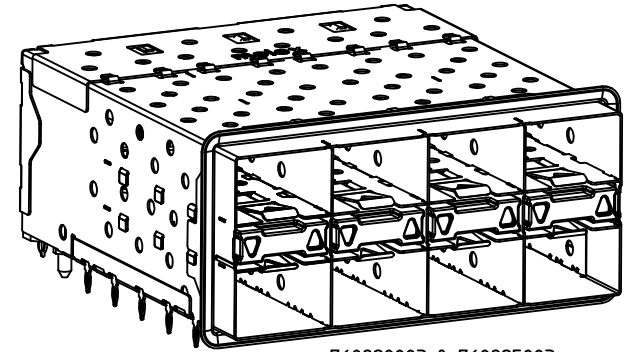
ADD NOTE 7 & 8 EC NO: UCP2011-2594 DR: WIMOLFE 2011/02/28 CHK: BBARKER 2011/02/28 APPR: SMILLER 2011/09/20	DESCRIPTION REV:	QUALITY SYMBOLS	GENERAL TOLERANCES (UNLESS SPECIFIED)	DIMENSION STYLE MM ONLY	SCALE 3:1	DESIGN UNITS METRIC	THIRD ANGLE PROJECTION
		▽=0	mm INCH	DRAWN BY DATE	MOLEX INCORPORATED SD-76092-001		
		▽=0	4 PLACES ± --- ± ---	JLONG 01-26-2007			
		▽=0	3 PLACES ± --- ± ---	CHECKED BY DATE			
		ANGULAR ± 5 °	2 PLACES ± 0.13 ± ---	MSANDBERG 01-26-2007	APPROVED BY DATE RNELSON 01-26-2007 MATERIAL NO. DOCUMENT NO.		
		DRAFT WHERE APPLICABLE MUST REMAIN WITHIN DIMENSIONS	1 PLACE ± 0.25 ± ---	01-26-2007			
			SEE TABLE	THIS DRAWING CONTAINS INFORMATION THAT IS PROPRIETARY TO MOLEX INCORPORATED AND SHOULD NOT BE USED WITHOUT WRITTEN PERMISSION			



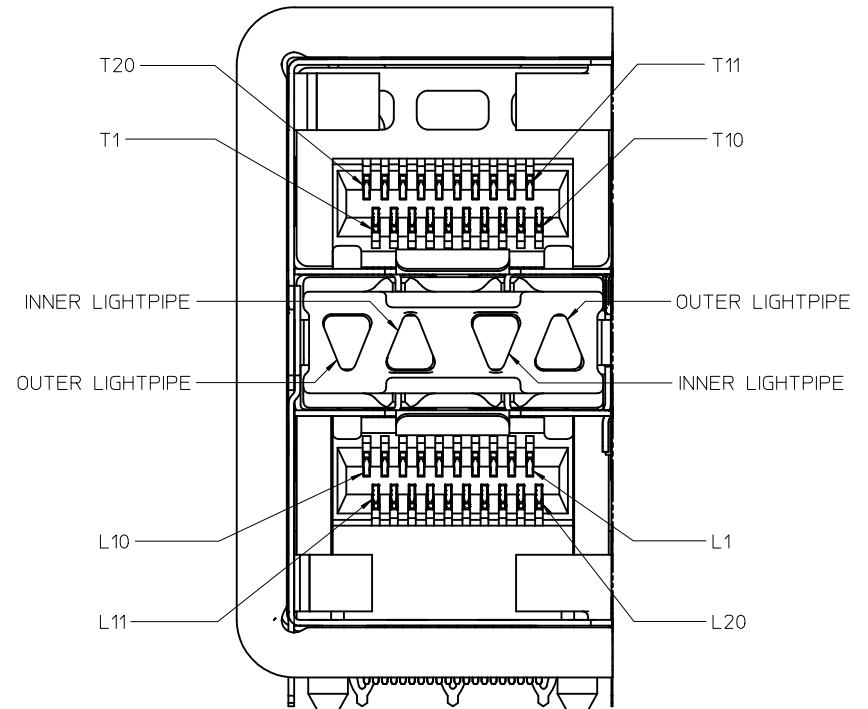
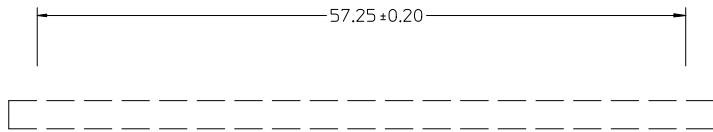
760920001 & 760925001
WITH INNER & OUTER LIGHTPIPE PORTS



760920002 & 760925002
WITH INNER LIGHTPIPE PORTS



760920003 & 760925003
WITH OUTER LIGHTPIPE PORTS



DETAIL B SCALE 6:1
CIRCUIT NUMBERING AND LIGHTPIPE IDENTIFICATION

