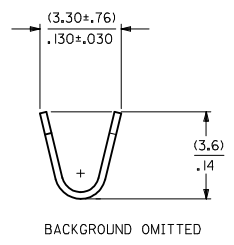
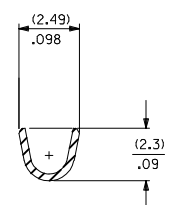
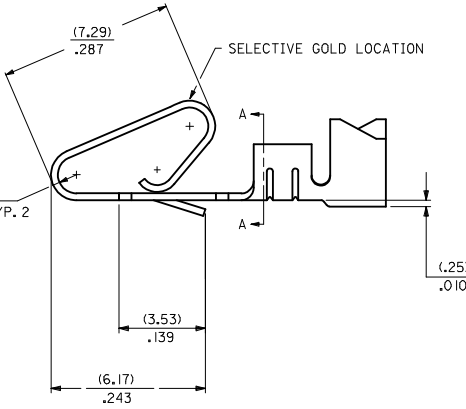
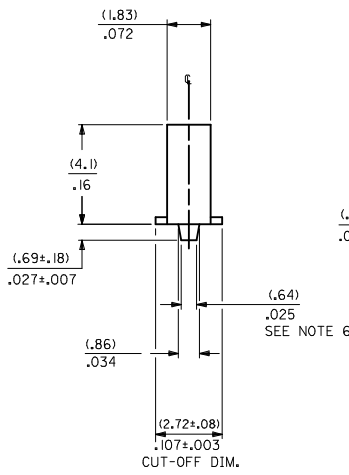


MATERIAL CODE  
 (.27)/.0106 THK  
 1=BRASS  
 3=PHOS BRONZE

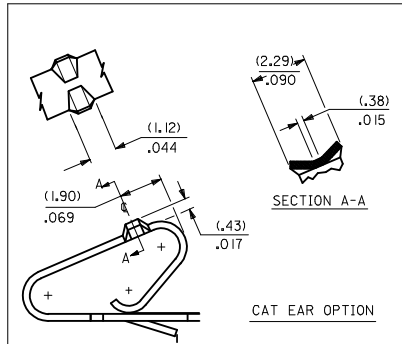
WINDING SPEC.  
 A=CHAIN, PER WINDING DETAIL "A"  
 BLANK=CHAIN, PER WINDING DETAIL "B"  
 L=LOOSE

OPTION CODE  
 BLANK=AS SHOWN  
 C=CAT EAR OPTION

- FINISH:
- (P909) OVERALL HOT TIN DIP: (0.00254)/.000100 MIN.
  - (122) OVERALL TIN: (0.00381)/.000150 MIN.  
OVER (0.00076)/.000030 MIN. NICKEL
  - (154) OVERALL TIN: (0.00254)/.000100 MIN.  
OVER (0.00127)/.000050 MIN. NICKEL
  - (224) OVERALL MATTE TIN: (0.00508)/.000200 MIN.  
OVER (0.00127)/.000050 MIN. NICKEL
  - (550) SELECT GOLD: (0.00038)/.000015 MIN.  
OVERALL GOLD FLASH: (0.00005)/.000002 MIN.  
OVERALL NICKEL UNDERPLATE: (0.00076)/.000030 MIN.
  - (555) SELECT GOLD: (0.00038)/.000015 MIN.  
OVERALL NICKEL UNDERPLATE: (0.00076)/.000030 MIN.
  - (558) SELECT GOLD: (0.00076)/.000030 MIN.  
OVERALL GOLD FLASH: (0.00005)/.000002 MIN.  
OVERALL NICKEL UNDERPLATE: (0.00127)/.000050 MIN.
  - (561) SELECT GOLD: (0.00076)/.000030 MIN.  
OVERALL NICKEL UNDERPLATE: (0.00127)/.000050 MIN.
  - (591) SELECT GOLD: (0.00127)/.000050 MIN.  
OVERALL GOLD FLASH: (0.00005)/.000002 MIN.  
OVERALL NICKEL UNDERPLATE: (0.00127)/.000050 MIN.



- NOTES:
1. MATERIAL: SEE LEGEND
  2. FINISH: SEE LEGEND
  3. THIS PART CONFORMS TO PRODUCT SPECIFICATION PS-08-50.
  4. PACKAGING SPECIFICATION: LOOSE TERMINALS: PER PK-2759-001  
CHAIN FORM TERMINALS: NONE
  5. DIMENSIONS GIVEN ACROSS CENTERLINES ARE SYMMETRICAL ABOUT THOSE CENTERLINES WITHIN HALF THE TOTAL TOLERANCE.
  6. (0.86 ±0.05)/.034 ±.002 IS AN OPTIONAL DESIGN.
  7. CRIMP ACCEPTS 18 TO 24 AWG WIRE WITH (2.79)/.110 MAX. INSULATION DIAMETER. AND CAN ACCEPT (3.00)/.118 MAX. INSULATION DIAMETER WITH SPECIAL TOOLING.
  8. TERMINAL FOR USE IN 2139, 3001, 3069, AND 91813 SERIES HOUSINGS WITH (2.54)/.100 MAX. INSULATION DIAMETER, 2574, 6422, AND 5239 SERIES HOUSINGS WITH (2.79)/.110 MAX. INSULATION DIAMETER. AND 41695 SERIES HOUSING WITH (3.00)/.118 MAX. INSULATION DIAMETER.
  9. THIS PART CONFORMS TO CLASS B REQUIREMENTS OF COSMETIC SPECIFICATION PS-45499-002.



ADD WINDING VIEWS EC NO. UCP2014-4131 DRAWN BY: CHYKONGUEN CHECKED BY: FSMITH DATE: 2014/04/07 APPR: FSMITH DATE: 2014/04/21	QUALITY SYMBOLS	GENERAL TOLERANCES (UNLESS SPECIFIED)	DIMENSION STYLE	SCALE	DESIGN UNITS	THIRD ANGLE PROJECTION	
	∇=0 ∇=0 ∇=0	mm INCH 4 PLACES ±.010 ±.010 3 PLACES ±.025 ±.014 2 PLACES ±.036 ±.014 1 PLACE ±.036 ±.014 0 PLACE ±.036 ±.014	MM/IN	10:1	INCH	DRAWN BY: SAMIEC DATE: 06/03/86 CHECKED BY: PATEL DATE: 06/03/86 APPROVED BY: FSMITH DATE: 2012/03/20	CRIMP TERMINAL .156 CENTERS 18 TO 24 GA WIRE <b>molex</b>
	ANGLAR ±1/2° DRAFT WHERE APPLICABLE MUST REMAIN WITHIN DIMENSIONS	MATERIAL NO. <b>SEE CHART</b>	DOCUMENT NO. SD-2478	SHEET NO. 1 OF 2			
	THIS DRAWING CONTAINS INFORMATION THAT IS PROPRIETARY TO MOLEX INCORPORATED AND SHOULD NOT BE USED WITHOUT WRITTEN PERMISSION						

