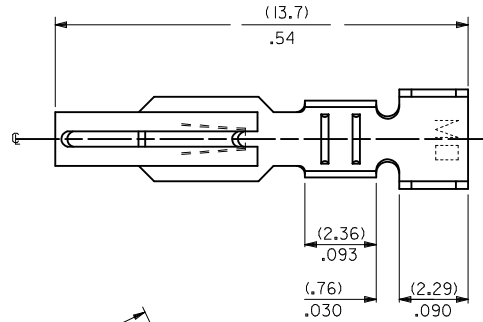
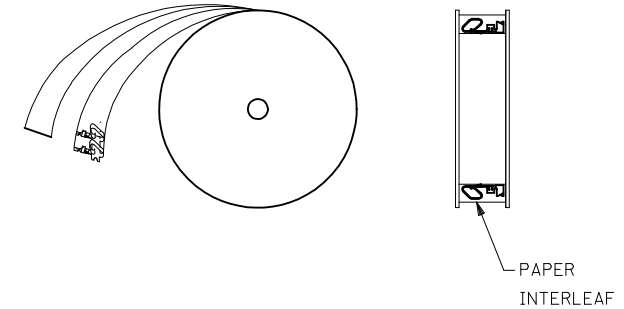
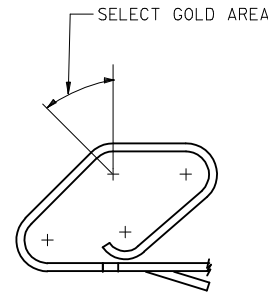
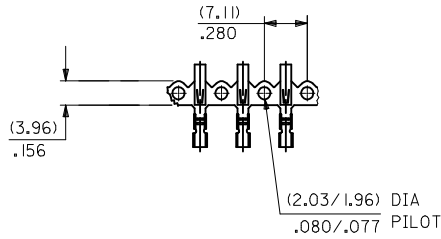
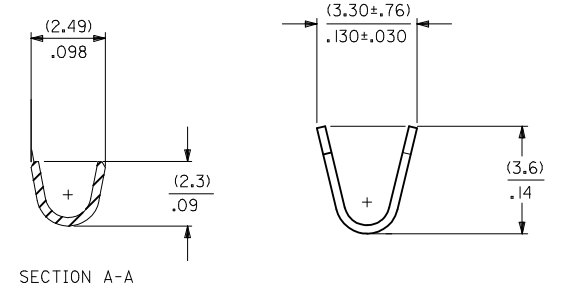
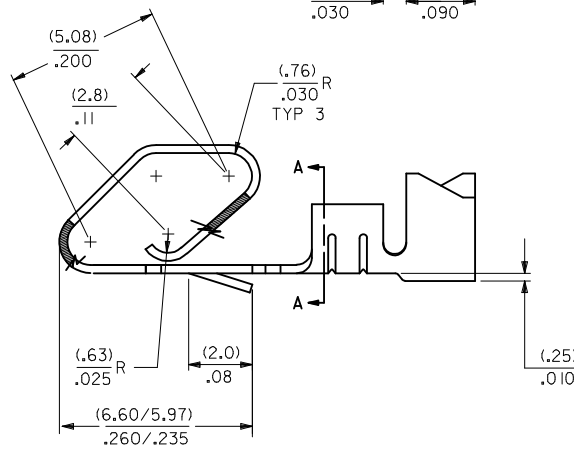
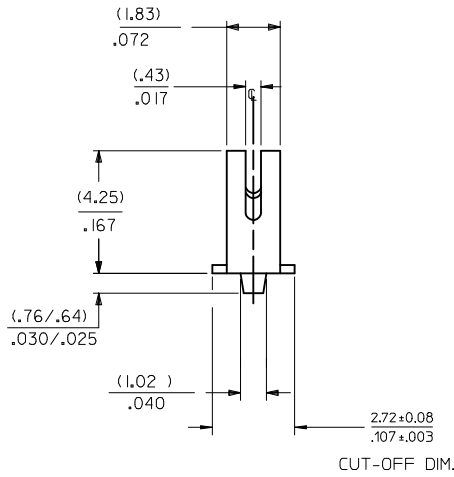


| PART NO. | ENG NO. | PLATING |
|-------------|--------------|---------|
| 008-56-0113 | 2477-G | 565 |
| 008-56-0114 | 2477-GL | 565 |
| 008-50-0109 | 2477-(P909) | P909 |
| 008-50-0110 | 2477-(P909)L | P909 |



2477-***-***
 MATERIAL CODE
 (.25)/.010 THK
 BLANK= BRASS
 WINDING SPEC.
 BLANK=CHAIN, PER WINDING DETAIL "B"
 L=LOOSE
 OPTION CODE
 BLANK=AS SHOWN
 PLATING
 SEE NOTE 2



WINDING DETAIL "B"

- NOTES:
 1. MATERIAL: SEE LEGEND
 2. FINISH: P909: OVERALL HOT TIN DIP: (0.00254)/.000100 MIN.
 565: SELECT GOLD: (0.00051)/.000020 MIN.
 OVERALL NICKEL: (0.00076)/.000030 MIN.
 OVERALL GOLD FLASH: (0.00005)/.000002 MIN.
 3. PRODUCT SPECIFICATION: PS-08-50
 4. CRIMP ACCEPTS 18 TO 24 GA. WIRE WITH (2.79)/.110 MAX. INSULATION DIA.
 5. TERMINAL FOR USE IN 2139 AND 3069 SERIES HOUSINGS WITH (2.54)/.100 MAX. INSULATION DIAMETER AND 172159 SERIES HOUSINGS WITH (2.79)/.110 MAX. INSULATION DIAMETER.
 6. THIS PART CONFORMS TO CLASS B REQUIREMENTS OF COSMETIC SPECIFICATION PS-45499-002.
 7. MATING TERMINALS TO ROUND PINS IS NOT RECOMMENDED.

| ADD NOTE 7 EC NO: UCP2015-3216 DRWN:HKIPPER 2015/02/06 CHKD:JBELL 2015/02/06 APPR:FSM/TH 2015/02/18 | QUALITY SYMBOLS ▽=0 ▽=0 ▽=0 | GENERAL TOLERANCES (UNLESS SPECIFIED) | | DIMENSION STYLE | SCALE | DESIGN UNITS | THIRD ANGLE PROJECTION | |
|---|--------------------------------------|--|--------|-----------------|---|--------------|------------------------|---|
| | | mm | INCH | MM/IN | --- | INCH | | |
| ADZ | REV | 4 PLACES | ± --- | ± --- | DRAWN BY | DATE | TITLE | |
| | | 3 PLACES | ± --- | ± .010 | SAMIEC | 1995/03/02 | | KK CRIMP TERMINAL (3.96)/.156 CENTERS 18 TO 24 AWG WIRE |
| | | 2 PLACES | ± 0.25 | ± .014 | CHECKED BY | DATE | molex | |
| | | 1 PLACE | ± 0.36 | ± --- | PATEL | 1995/03/02 | | SD-2477-**** |
| | | 0 PLACE | ± | ± | APPROVED BY | DATE | | |
| | | ANGULAR ±1/2° | | MATERIAL NO. | DOCUMENT NO. | | | |
| | | DRAFT WHERE APPLICABLE MUST REMAIN WITHIN DIMENSIONS | | SEE CHART | | | | |
| | | | | SIZE | THIS DRAWING CONTAINS INFORMATION THAT IS PROPRIETARY TO MOLEX INCORPORATED AND SHOULD NOT BE USED WITHOUT WRITTEN PERMISSION | | | |