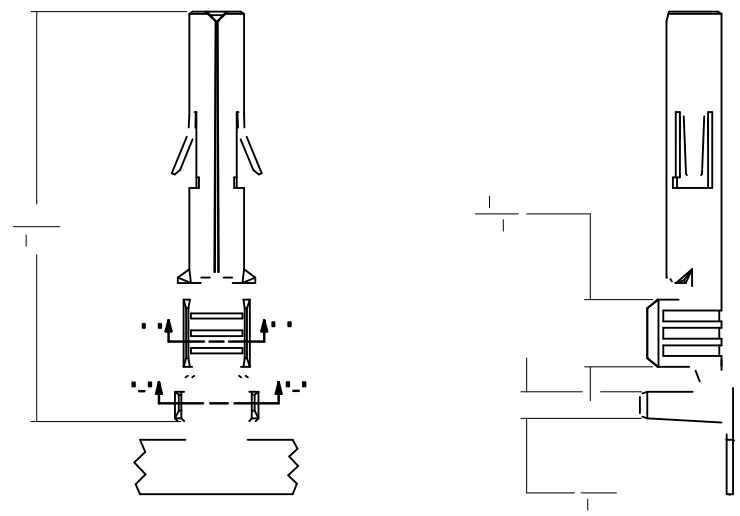
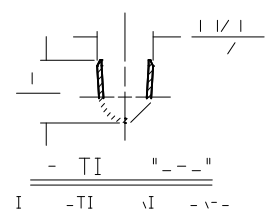
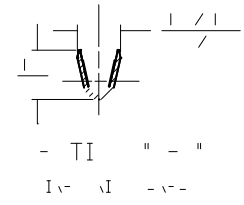
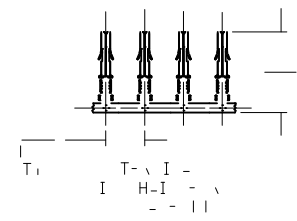
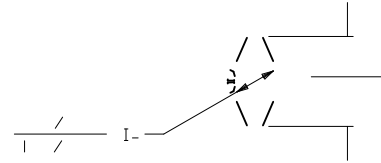
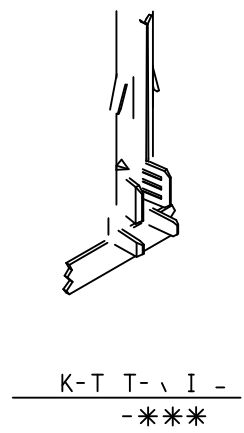


13 12 11 10 9 8 7 6 5 4 3 2 1

J I H G F E D C B A



-- H--T - \ H-\T -T-\I- -TI T- - \ I TI

EC NO: I2014-0115 2014/01/09 G DRWN:SS06 CHKD: APPR:KPRASAD 2014/01/13	QUALITY SYMBOLS ▽=0 ▽=0 ▽=0	GENERAL TOLERANCES (UNLESS SPECIFIED)		DIMENSION STYLE IN/MM		SCALE ---	DESIGN UNITS INCH	THIRD ANGLE PROJECTION	
		4 PLACES ± --- ± ---	3 PLACES ± --- ± .010	2 PLACES ± 0.25 ± .015	1 PLACE ± 0.38 ± ---	0 PLACE ± ±	DRAWN BY SUDHIR DATE 2004/09/27		TITLE TERMINAL, SOCKET 84/(2.13) DIA. SERIES
REV	DESCRIPTION	ANGULAR ±1/2°		APPROVED BY KPRASAD DATE 2004/09/27		MATERIAL NO.		DOCUMENT NO. SD-42024-****	
		DRAFT WHERE APPLICABLE MUST REMAIN WITHIN DIMENSIONS		SIZE A2		THIS DRAWING CONTAINS INFORMATION THAT IS PROPRIETARY TO MOLEX INCORPORATED AND SHOULD NOT BE USED WITHOUT WRITTEN PERMISSION		SHEET NO. 1 OF 1	

12 11 10 9 8 7 6 5 4 3 2 1