

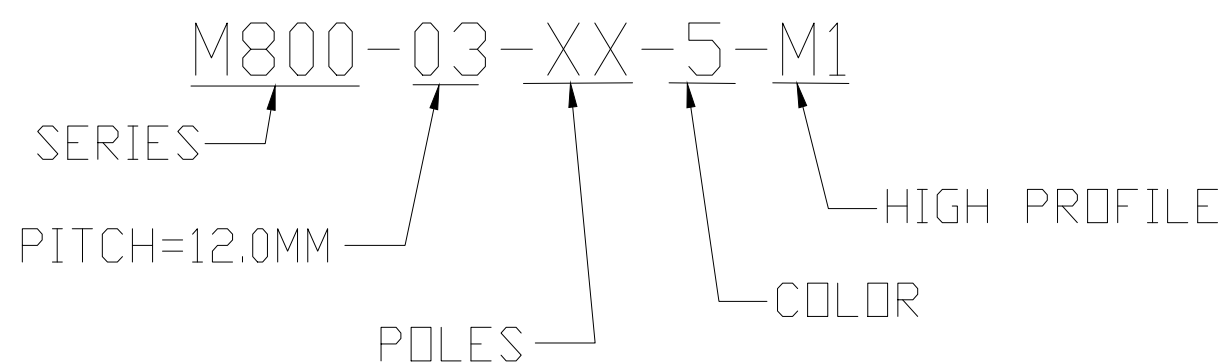
| PART NUMBER DATA |             |                    |       |         |       |         |        |
|------------------|-------------|--------------------|-------|---------|-------|---------|--------|
| CIRCUITS         | PART NUMBER | ENGINEERING NUMBER | COLOR | A IN mm |       | B IN mm |        |
| 2                | 391002202   | M800-03-02-5-M1    | WHITE | .79     | 20.0  | .472    | 12.00  |
| 3                | 391002203   | M800-03-03-5-M1    | WHITE | 1.26    | 32.0  | .945    | 24.00  |
| 4                | 391002204   | M800-03-04-5-M1    | WHITE | 1.73    | 44.0  | 1.417   | 36.00  |
| 5                | 391002205   | M800-03-05-5-M1    | WHITE | 2.20    | 56.0  | 1.890   | 48.00  |
| 6                | 391002206   | M800-03-06-5-M1    | WHITE | 2.68    | 68.0  | 2.362   | 60.00  |
| 7                | 391002207   | M800-03-07-5-M1    | WHITE | 3.15    | 80.0  | 2.835   | 72.00  |
| 8                | 391002208   | M800-03-08-5-M1    | WHITE | 3.62    | 92.0  | 3.307   | 84.00  |
| 9                | 391002209   | M800-03-09-5-M1    | WHITE | 4.09    | 104.0 | 3.780   | 96.00  |
| 10               | 391002210   | M800-03-10-5-M1    | WHITE | 4.57    | 116.0 | 4.252   | 108.00 |
| 11               | 391002211   | M800-03-11-5-M1    | WHITE | 5.04    | 128.0 | 4.724   | 120.00 |
| 12               | 391002212   | M800-03-12-5-M1    | WHITE | 5.51    | 140.0 | 5.197   | 132.00 |

REF. LAST 2 DIGITS OF PART NUMBER EQUAL CIRCUIT COUNT

NOTE: IF THIS PRODUCT IS STORED IN AN ENVIRONMENT WITH A RELATIVE HUMIDITY OF LESS THAN 50%, MOISTURE MUST BE ADDED. REFER TO TECHNICAL ADVISORY AS 45499-001 FOR INSTRUCTIONS.

Ⓒ

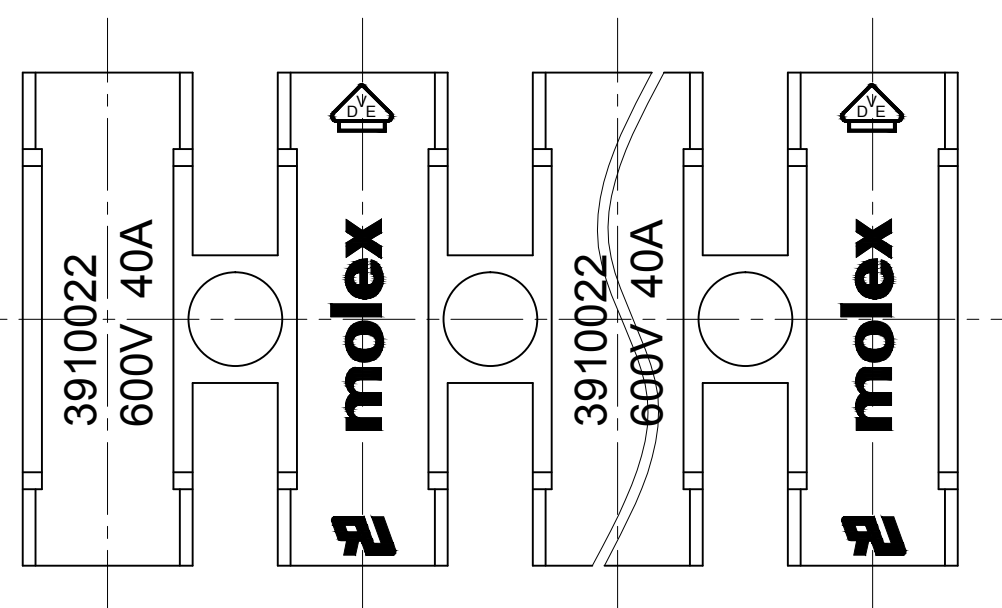
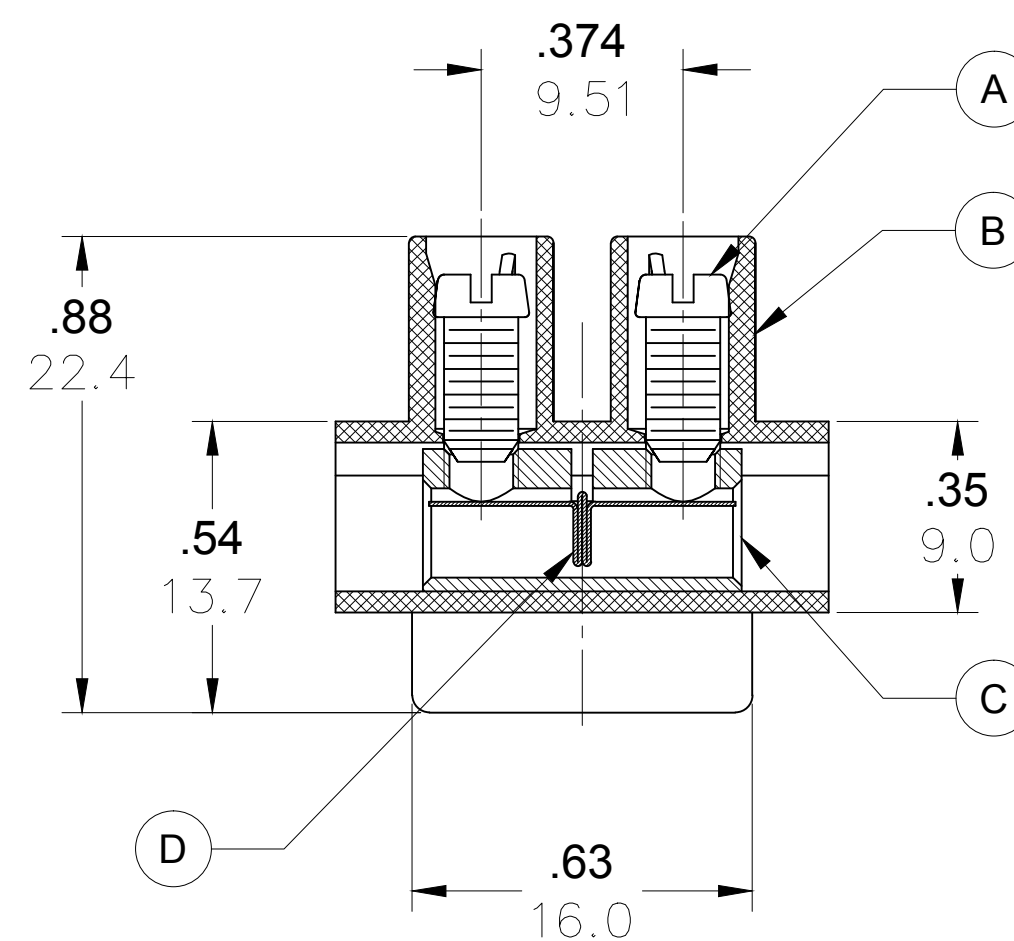
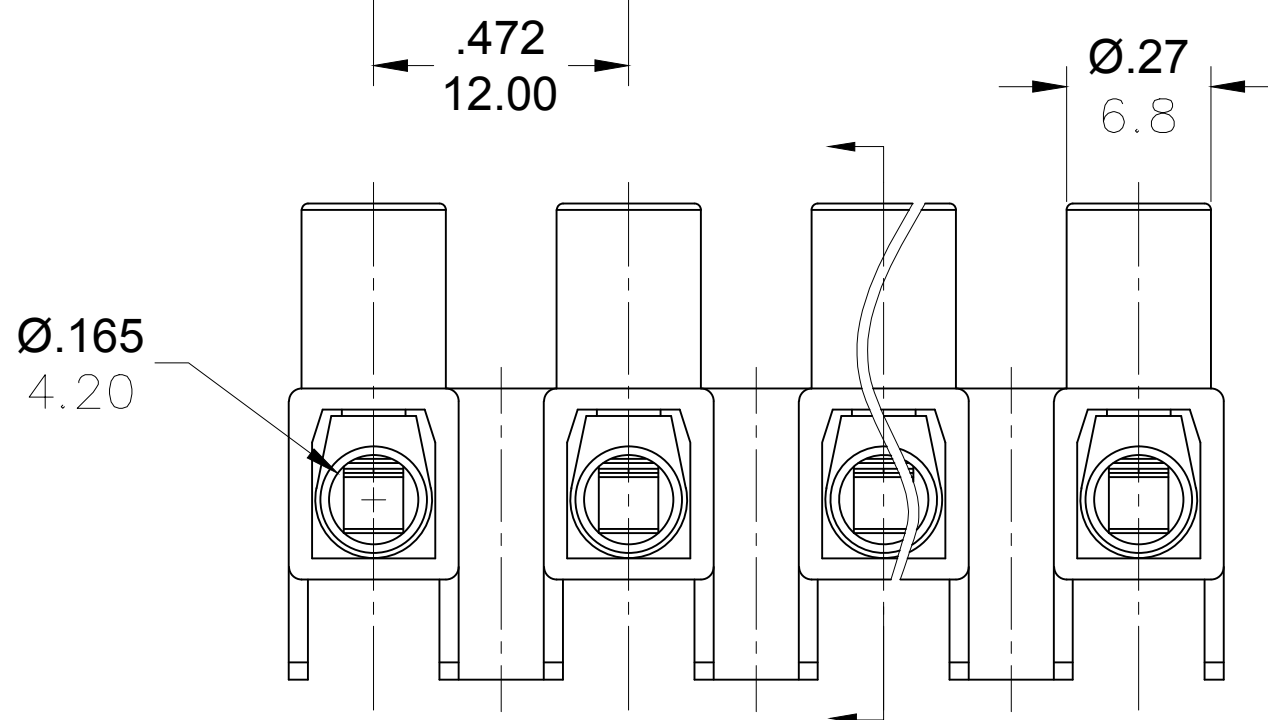
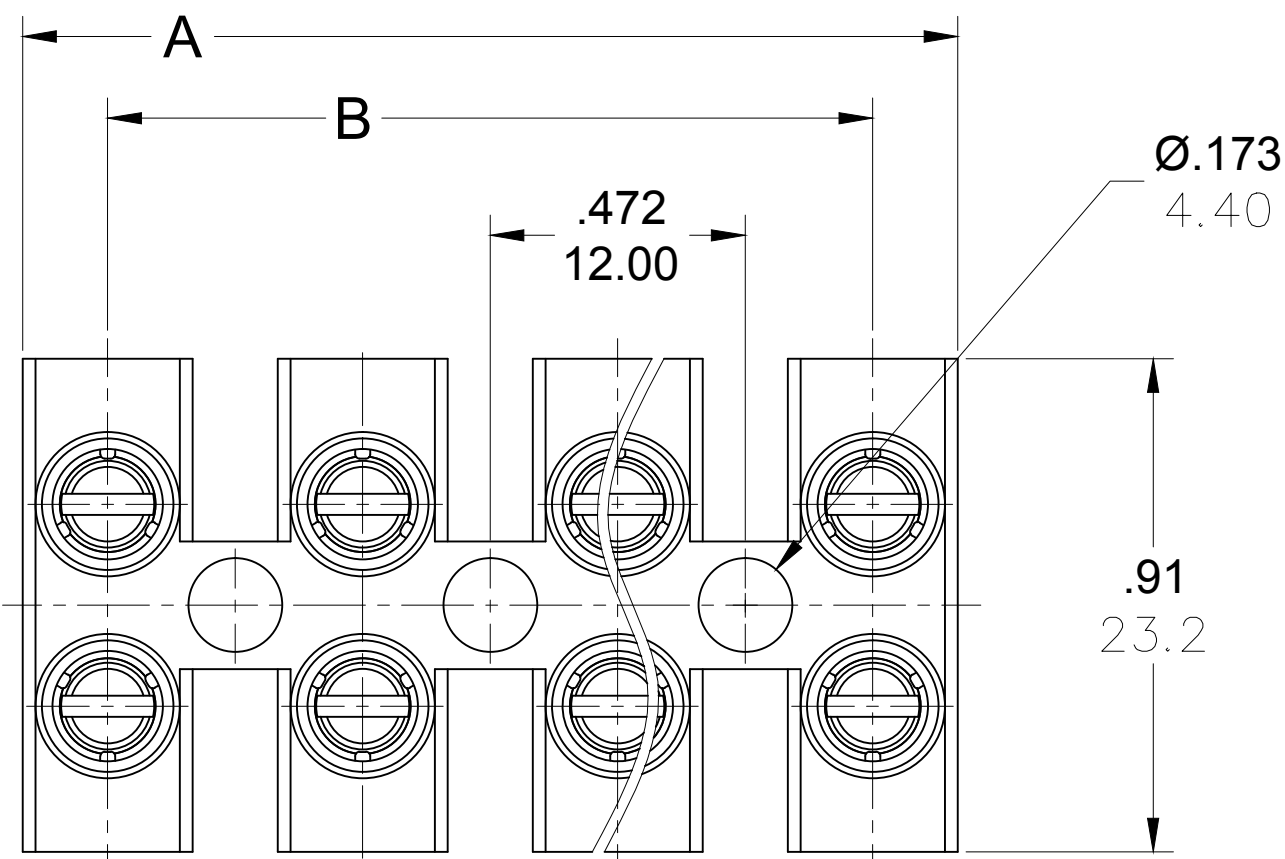
ENGINEERING NUMBER LEGEND



CONTACT FACTORY FOR OPTIONAL COLORS

SPECIFICATIONS:

- Material:
  - (A) Screw: Steel, Zinc plated
  - (B) Body: PA66 UL94 V-0
  - (C) Cage: Brass, Nickel plated
  - (D) Terminal: Stainless Steel
- Rating: 600V, 40amps
- Wire range: 20-8 AWG
- Max torque: 7.0 in lbs.
- Dielectric voltage withstand: DC 3000V for 1 minute.
- Insulation resistance: DC 1000V, 100G Ω
- Rated Impulse Voltage: 4000V, Plus and Minus 5 times each
- Strip Length: .24 in. (6.0mm)
- Operating Temperature: -40° C to +105° C
- Contact Resistance: < 3 mΩ
- All dims. shown are for reference only



|  |                               |                                       |  |                        |                      |   |                                       |                        |  |  |
|--|-------------------------------|---------------------------------------|--|------------------------|----------------------|---|---------------------------------------|------------------------|--|--|
| ADDED MOISTURE NOTE<br>EC NO: IPG2016-1226<br>DRWN: RSTONE 3/8/16<br>CHKD: MZIELINS 2016/03/10<br>APPR: KJOZWIK 2014/07/21 | QUALITY SYMBOL<br>▽=0<br>▽C=0 | GENERAL TOLERANCES (UNLESS SPECIFIED) |  | DIMENSION STYLE IN/MM  |                      | SCALE ---   | DESIGN UNITS METRIC                   | THIRD ANGLE PROJECTION |  |  |
|  |                               |                                       | mm   | INCH                   | DRAWN BY RSTONE      | DATE 2014/07/11   | TITLE                                 |                        |  |  |
|  |                               | 4 PLACES                              | ±---   | ±---                   | CHECKED BY G FARNSW  |   | TERMINAL STRIP 12MM HIGH PROFILE 600V |                        |  |  |
|  |                               | 3 PLACES                              | ±---   | ±.005                  | APPROVED BY JFMURPHY |   | MOLEX INCORPORATED                    |                        |  |  |
|  | 2 PLACES                      | ±0.13                                 | ±.01   | DATE 2014/07/21        |                      | DOCUMENT NO. SD-39100-015   |                                       | SHEET NO. 1 OF 1       |  |  |
|  | 1 PLACE                       | ±0.3                                  | ±---   | MATERIAL NO. SEE CHART |                      | THIS DRAWING CONTAINS INFORMATION THAT IS PROPRIETARY TO MOLEX INCORPORATED AND SHOULD NOT BE USED WITHOUT WRITTEN PERMISSION |                                       |                        |  |  |
|  | ANGULAR ±---                  |                                       | DRAFT WHERE APPLICABLE MUST REMAIN WITHIN DIMENSIONS |                        |                      |   |                                       |                        |  |  |