

NOTES :

1. MATERIAL :

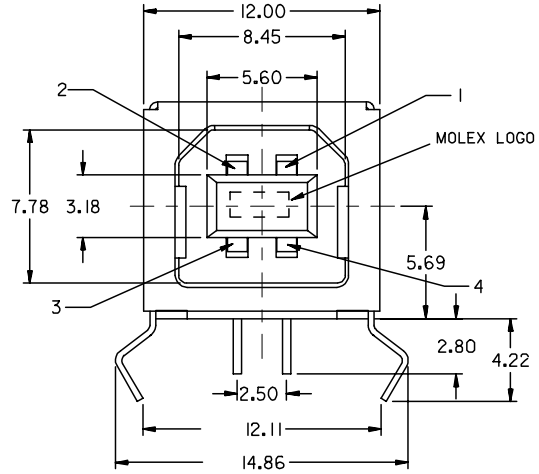
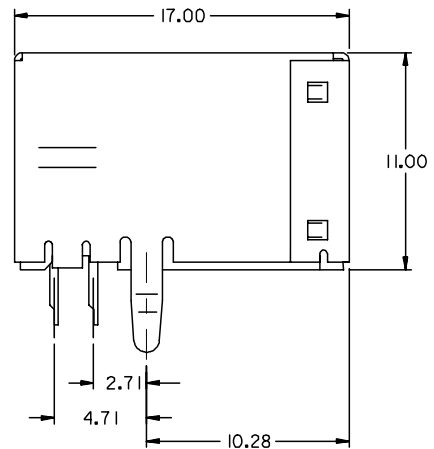
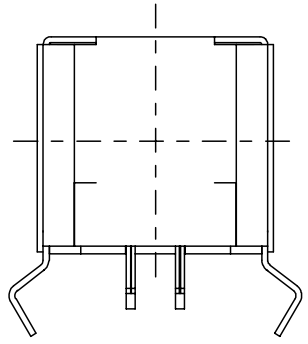
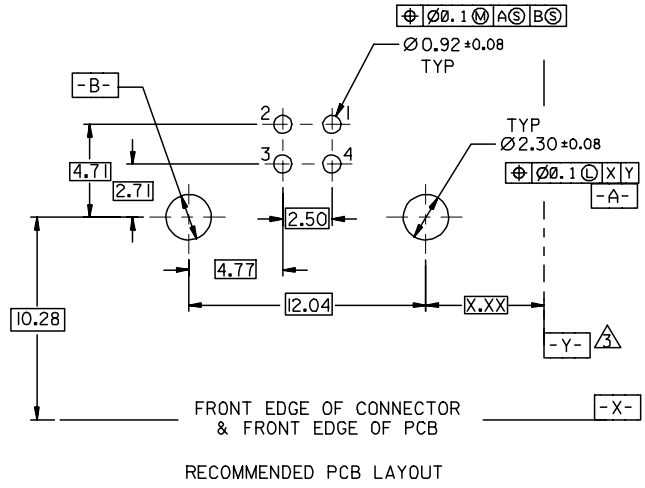
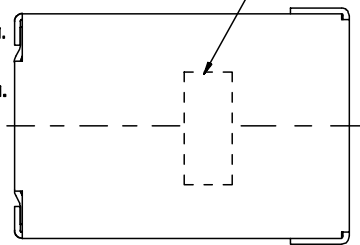
HOUSING : (a) HIGH TEMP. NYLON ,GLASS FIBER FILLED,UL94V-O, COLOR: BLACK,
 (b) POLYESTER , GLASS FIBER FILLED,UL94V-O, COLOR: WHITE,
 TERMINAL : PHOSPHOR BRONZE
 METAL SHELL : COPPER ALLOY

2. PLATING :

TERMINAL :
 CONTACT AREA : (a) GOLD FLASH.
 (b) GLOD (Au), THICKNESS = 30 MICROINCH MINIMUM.
 /0.76 MICROMETER MINIMUM.
 SOLDER TAIL : TIN-LEAD (Sn-Pb) ALLOY,
 THICKNESS= 75 MICROINCH MINIMUM .
 /1.9 MICROMETER MINIMUM.
 UNDER PLATE : NICKEL (Ni), THICKNESS= 50 MICROINCH MINIMUM.
 /1.27 MICROMETER MINIMUM.
 METAL SHELL :
 TIN-LEAD (Sn-Pb) ALLOY , THICKNESS= 100 MICROINCH MINIMUM.
 /2.54 MICROMETER MINIMUM.
 UNDER PLATE : NICKEL (Ni) , THICKNESS= 50 MICROINCH MINIMUM.
 /1.27 MICROMETER MINIMUM.

△ DATUM AND BASIC DIMENSIONS ESTABLISHED BY CUSTOMER
 RECOMMENDED PCB THICKNESS : 1.60±0.05
 4 PRODUCT SPECIFICATION : REFER TO PS-67998-0000

MOLEX ID OF MFG PLANT CODE



PART NUMBER LEGEND:

67068- * * 0 * *

- 0 : BLACK HOUSING
- 1 : WHITE HOUSING
- 0 : TRAY PACKAGING
- 1 : TUBE PACKAGING
- 0 : GOLD FLASH
- 1 : 0.76 MICROMETER/30 MICROINCH GOLD
- KINK TYPE BOARD LOCK

REVISED	DESCRIPTION
EC NO: SH2006-0759	2006/10/26
DRWN:FYANG05	2006/10/27
CHKD:HWANG	2006/11/14
APPR: JNCHEN	2006/11/14

QUALITY SYMBOLS	▽=0
	△=0

GENERAL TOLERANCES (UNLESS SPECIFIED)	
	mm INCH
4 PLACES	± --- ± ---
3 PLACES	± --- ± ---
2 PLACES	± 0.25 ± ---
1 PLACE	± 0.15 ± ---
ANGULAR ± 3 °	
DRAFT WHERE APPLICABLE MUST REMAIN WITHIN DIMENSIONS	

DIMENSION STYLE	
INCH ONLY	
DRAWN BY	DATE
VINCENT LIN	
CHECKED BY	DATE
APPROVED BY	DATE
MATERIAL NO.	DOCUMENT NO.
SEE TABLE	SDA-67068-****

SCALE	DESIGN UNITS	THIRD ANGLE PROJECTION
4:1	METRIC	
TITLE		
USB B TYPE CONNECTOR KINK TYPE BOARD LOCK		
MOLEX INCORPORATED		
SHEET NO.		1 OF 4
THIS DRAWING CONTAINS INFORMATION THAT IS PROPRIETARY TO MOLEX INCORPORATED AND SHOULD NOT BE USED WITHOUT WRITTEN PERMISSION		

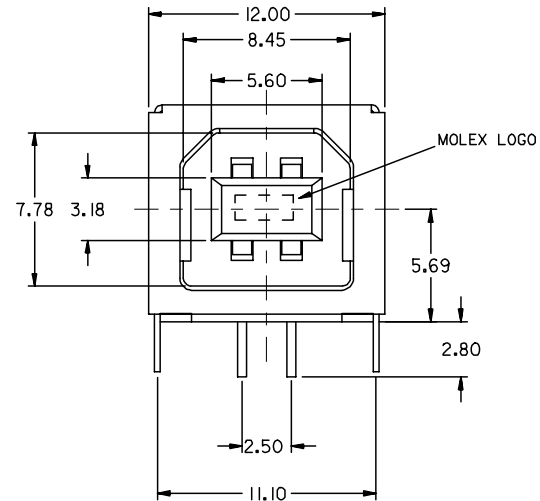
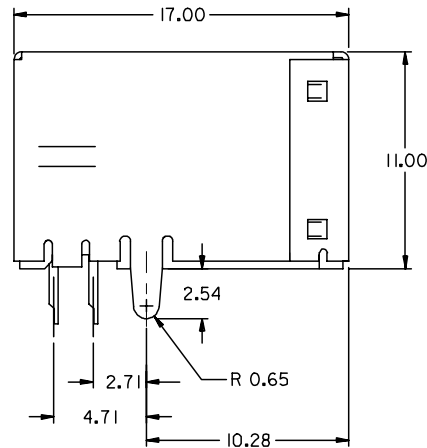
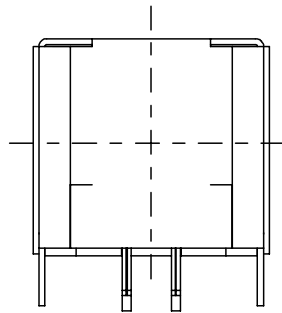
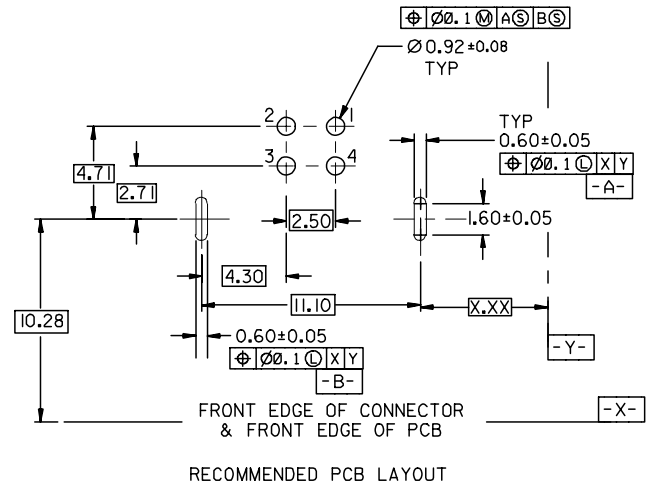
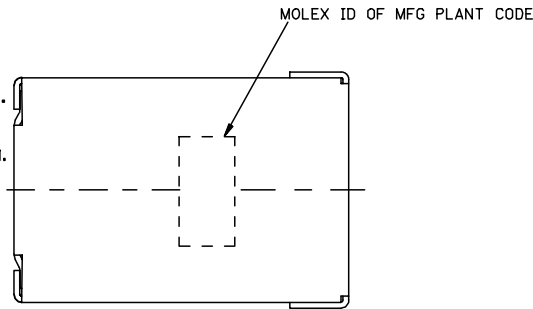
10 9 8 7 6 5 4 3 2 1

NOTES :

1. MATERIAL :
 HOUSING : (a) HIGH TEMP. NYLON, GLASS FIBER FILLED, UL94V-0, COLOR: BLACK,
 (b) POLYESTER, GLASS FIBER FILLED, UL94V-0, COLOR: WHITE.
 TERMINAL : PHOSPHOR BRONZE
 METAL SHELL : COPPER ALLOY

2. PLATING :
 TERMINAL :
 CONTACT AREA : (a) GOLD FLASH.
 (b) GLOD (Au), THICKNESS = 30 MICROINCH MINIMUM.
 /0.76 MICROMETER MINIMUM.
 SOLDER TAIL : TIN-LEAD (Sn-Pb) ALLOY,
 THICKNESS= 75 MICROINCH MINIMUM .
 /1.9 MICROMETER MINIMUM.
 UNDER PLATE : NICKEL (Ni), THICKNESS= 50 MICROINCH MINIMUM.
 /1.27 MICROMETER MINIMUM.
 METAL SHELL :
 TIN-LEAD (Sn-Pb) ALLOY, THICKNESS= 100 MICROINCH MINIMUM.
 /2.54 MICROMETER MINIMUM.
 UNDER PLATE : NICKEL (Ni), THICKNESS= 50 MICROINCH MINIMUM.
 /1.27 MICROMETER MINIMUM.

3 DATUM AND BASIC DIMENSIONS ESTABLISHED BY CUSTOMER
 RECOMMENDED PCB THICKNESS : 1.60±0.05
 4 PRODUCT SPECIFICATION : REFER TO PS-67998-0000



PART NUMBER LEGEND (EXCEPT 67068-1111&67068-0011):

67068-

* : BLACK HOUSING
 * : WHITE HOUSING
 * : TRAY PACKAGING
 * : TUBE PACKAGING

* : GOLD FLASH
 * : 0.76 MICROMETER (30 MICROINCH GOLD) STRAIGHT TAB

REVISED	DESCRIPTION
EC NO: SH2006-0759	2006/10/26
DRWN: YANG05	2006/10/27
CHKD: HWANG	2006/10/27
APPR: JNCHEN	2006/11/14

QUALITY SYMBOLS	▽=0
	△=0

GENERAL TOLERANCES (UNLESS SPECIFIED)	
	mm INCH
4 PLACES	± --- ± ---
3 PLACES	± --- ± ---
2 PLACES	± 0.25 ± ---
1 PLACE	± 0.15 ± ---
ANGULAR ± 3 °	
DRAFT WHERE APPLICABLE MUST REMAIN WITHIN DIMENSIONS	

DIMENSION STYLE	
MM ONLY	
DRAWN BY	DATE
VINCENT	
CHECKED BY	DATE
APPROVED BY	DATE
MATERIAL NO.	DOCUMENT NO.
SEE LENEND	SDA-67068-****

SCALE	DESIGN UNITS	THIRD ANGLE PROJECTION
4:1	METRIC	
TITLE		
USB B TYPE CONNETOR KINK TYPE BOARD LOCK		
MOLEX INCORPORATED		
SHEET NO.		2 OF 4
THIS DRAWING CONTAINS INFORMATION THAT IS PROPRIETARY TO MOLEX INCORPORATED AND SHOULD NOT BE USED WITHOUT WRITTEN PERMISSION		

9 8 7 6 5 4 3 2 1