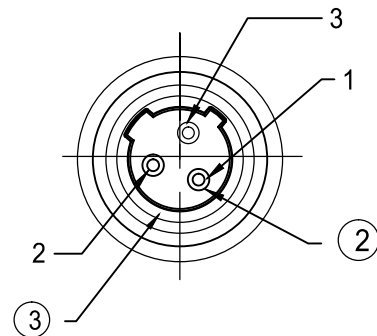
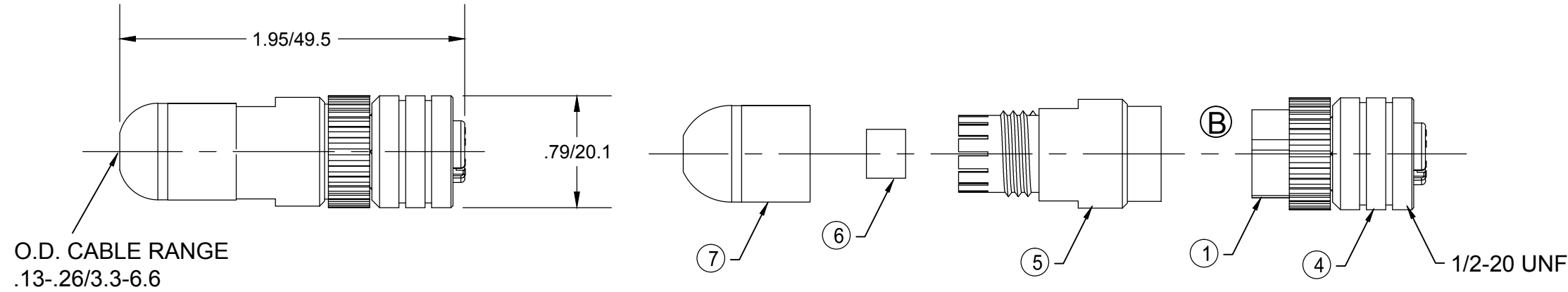
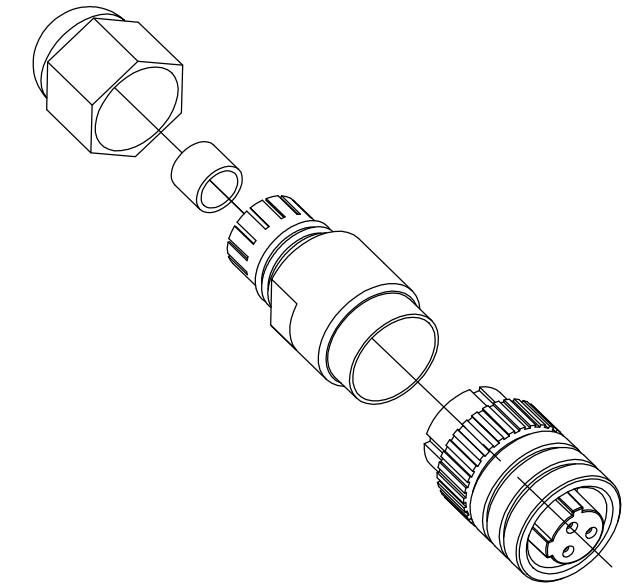
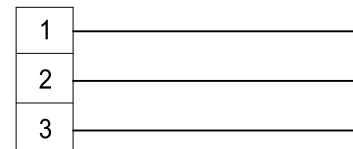


MATERIAL NUMBER	OLD PART NUMBER
120075-0014	7A3000-31



FEMALE FACE VIEW



WIRING DIAGRAM

VOLTAGE RATING	250VAC/ 300VDC
AMPERAGE RATING	4 AMPS
PROTECTION	IP67
OPERATING TEMPERATURE	-25°C TO 90°C

ITEM	COMPONENT	MATERIAL	FINISH
1	INSERT	NYLON	BLACK
2	CONTACTS	COPPER ALLOY	SILVER PLATED
3	O-RING	NITRILE	RED
4	COUPLING NUT	BRASS	NICKEL PLATED
5	MOLDED BODY	NYLON	BLACK
6	GROMMET	NITRILE	BLACK
7	CORD GRIP BODY	NYLON	BLACK

REMOVE TAIL ON INSERT
 EC NO: IPG2013-1767
 DRWN: RSTONE 2013/05/16
 CHKD: BW
 APPR: BWOODMAN

QUALITY SYMBOLS
 ▽=0
 ▽C=0

GENERAL TOLERANCES (UNLESS SPECIFIED)

	mm	INCH
4 PLACES	±---	±---
3 PLACES	±---	±---
2 PLACES	±---	±.01
1 PLACE	±0.3	±---
ANGULAR ±---°		

DRAFT WHERE APPLICABLE MUST REMAIN WITHIN DIMENSIONS

DIMENSION STYLE
 INCH

DRAWN BY DATE
 RSTONE 2013/05/16

CHECKED BY DATE
 BW 2013/05/16

APPROVED BY DATE

MATERIAL NO.
 SEE CHART

SIZE
 B

SCALE

DESIGN UNITS
 INCH

THIRD ANGLE PROJECTION

TITLE
 DUAL KEYWAY 3P FEMALE ATTACHABLE

MOLEX INCORPORATED

DOCUMENT NO. SD-120075-001

SHEET NO. 1 OF 1

THIS DRAWING CONTAINS INFORMATION THAT IS PROPRIETARY TO MOLEX INCORPORATED AND SHOULD NOT BE USED WITHOUT WRITTEN PERMISSION