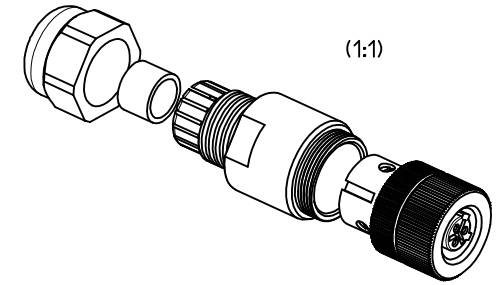


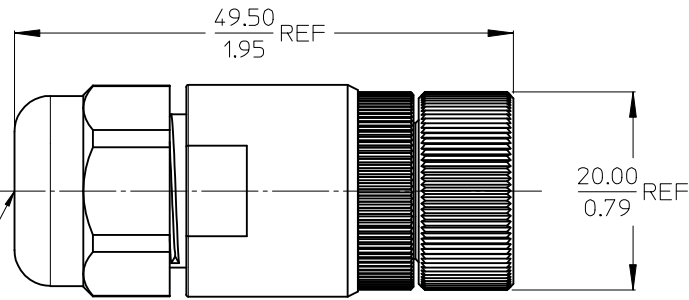
10 9 8 7 6 5 4 3 2 1



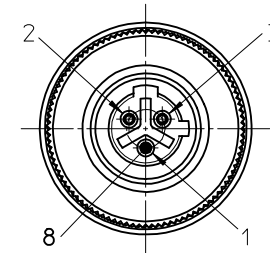
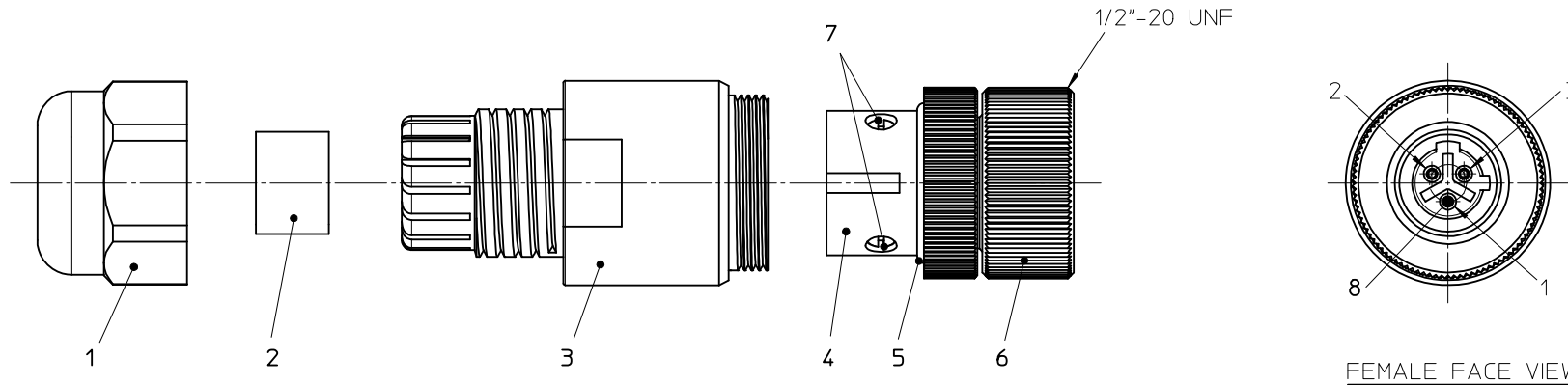
(1:1)

WIRING CHART

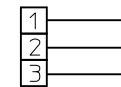
VOLTAGE RATING	250VAC/DC
AMPERAGE RATING	4 AMPS
PROTECTION	IP67
OPERATING TEMPERATURE	-40°C to 185°C



O.D. CABLE RANGE
4.1-8.1/.16-.32



FEMALE FACE VIEW



ENG.-NO.: 7A3000-32

ITEM	QTY	COMPONENT	MATERIAL	FINISH
1	1	HUT NUT M12	PA6	BK
2	1	GROMMET	CR/NBR	BK
3	1	ENDSLEEVE	PA66	BK
4	1	INSERT	NYLON	BK
5	1	GASKET	NITRILE	BK
6	1	COUPLING NUT	BRASS	NI PLATED
7	3	SCREW	BRASS	ZN
8	3	CONTACT	COPPER ALLOY	AU PLATED

ENTER DESCRIPTION EC NO: IPG2013-0649 2012/11/14 DRW:RSCHIEBER 2012/11/14 CHKD:APOHL 2012/11/14 APPR:CBURGER 2012/11/26	QUALITY SYMBOLS ▽=0 ◻=0	GENERAL TOLERANCES (UNLESS SPECIFIED)		DIMENSION STYLE MM/IN		SCALE 2:1	DESIGN UNITS METRIC	THIRD ANGLE PROJECTION	
		4 PLACES ± --- ± --- 3 PLACES ± --- ± --- 2 PLACES ± --- ± .01 1 PLACE ± 0.3 ± --- 0 PLACE ± --- ± --- ANGULAR ± ---°	mm INCH ± --- ± --- ± --- ± .01 ± 0.3 ± --- ± --- ± --- ± ---°	DRAWN BY RSCHIEBER	DATE 2012/11/14	TITLE FA M12 3P 2C FE STR PG9			
DRAFT WHERE APPLICABLE MUST REMAIN WITHIN DIMENSIONS		CHECKED BY APOHL	DATE 2012/11/14	APPROVED BY CBURGER		DATE 2012/11/26	MATERIAL NO. 1200750015		
1		REV	SIZE A3		THIS DRAWING CONTAINS INFORMATION THAT IS PROPRIETARY TO MOLEX INCORPORATED AND SHOULD NOT BE USED WITHOUT WRITTEN PERMISSION				

9 8 7 6 5 4 3 2 1