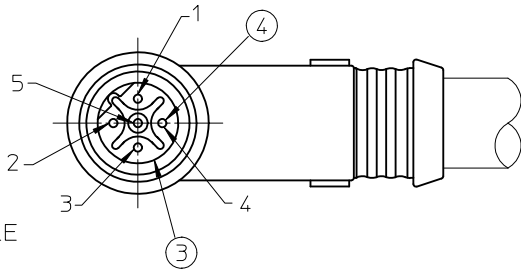
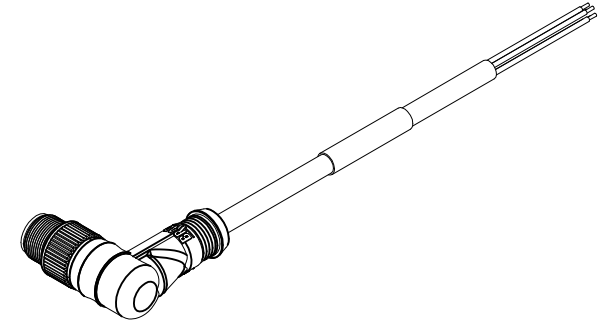
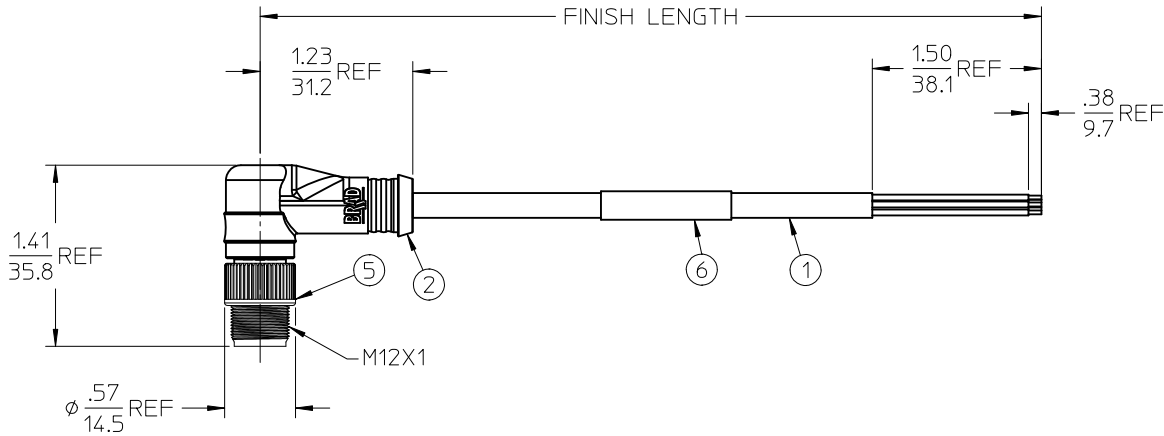


10	9	8	7	6	5	4	3	2	1
MATERIAL NUMBER	ENGINEERING NUMBER	FINISHED LENGTH							
1200390158	B05S07PP4M010	3.28' +1.75"-0 [1.0M +44.5-0]							



NOTES:

- 1) MATERIAL: SEE TABLE
- 2) FINISH:SEE TABLE
- 3) ELECTRICAL:
VOLTAGE: 250 VAC/VDC
CURRENT: 3 AMPS
24AWG TWISTED PAIR
- 4) ENVIRONMENTAL:
IP67
OPERATING TEMP: -20°C TO 80°C
- 5) ASSEMBLY IS RoHS COMPLIANT BY EXCEPTION

WIRING CONNECTION

1	N/C
2	GREEN (A LINE)
3	N/C
4	RED (B LINE)
5	DRAIN LINE

6	LABEL	MYLAR	BLACK/YELLOW
5	COUPLER	BRASS	NICKEL PLATED
4	PIN CONTACT	COPPER ALLOY	GOLD OVER NICKEL
3	INSERT 5P	NYLON	BLACK
2	OVERMOLD	PUR	YELLOW
1	CABLE	PROFIBUS (PUR)	JACKET: PURPLE
ITEM	COMPONENT	MATERIAL	FINISH

CREATE DOC
EC NO: WNA2010-0467
DRAWN BY: DRWINBRUPERT 2010/01/29
CHKD BY: WOODMAN 2010/01/29
APPR: JF MURPHY 2010/01/29

QUALITY SYMBOLS
▽=0
▽=0

GENERAL TOLERANCES (UNLESS SPECIFIED)

	mm	INCH
4 PLACES	± .005	± .0004
3 PLACES	± .005	± .0004
2 PLACES	± .005	± .0004
1 PLACE	± .005	± .0004
ANGULAR ±1/2°		

DRAFT WHERE APPLICABLE MUST REMAIN WITHIN DIMENSIONS

DIMENSION STYLE IN/MM

DRAWN BY	DATE
BW	2009/07/27
CHECKED BY	DATE
VO	2009/07/28
APPROVED BY	DATE
JM	2009/07/28

MATERIAL NO. SEE CHART

SCALE 1:1 DESIGN UNITS INCH

THIRD ANGLE PROJECTION

TITLE MMC-5P-AC(E)-MM-90 PROFIBUS

MOLEX INCORPORATED

DOCUMENT NO. SD-120039-004 SHEET NO. 1 OF 1

THIS DRAWING CONTAINS INFORMATION THAT IS PROPRIETARY TO MOLEX INCORPORATED AND SHOULD NOT BE USED WITHOUT WRITTEN PERMISSION