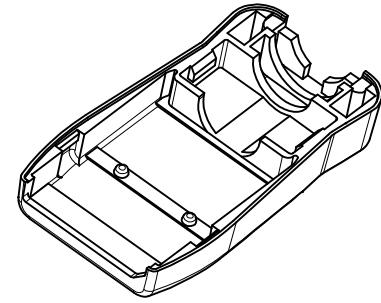
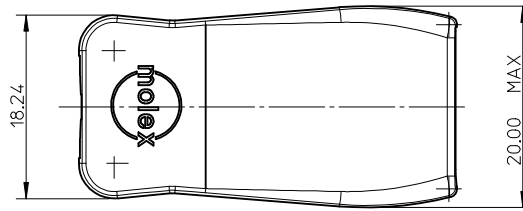
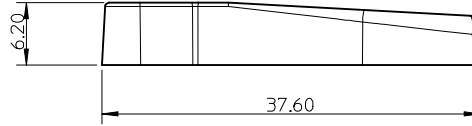
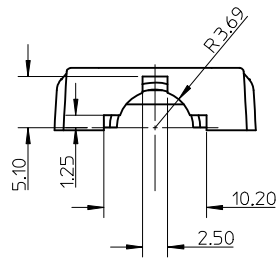


10 9 8 7 6 5 4 3 2 1

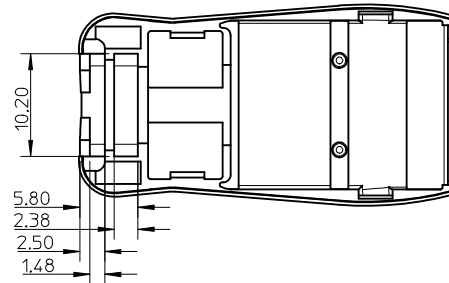
F



E



D



C

NOTES:

MATERIAL : HIGH TEMPERATURE THERMAL PLASTIC, UL94V-0, BLACK.

B

A

<p>NEW RELEASE EC NO: SH2007-0705 DRWN: HHE 2007/04/27 CHKD: HWANG 2007/04/30 APPR: JNCHEN 2007/05/10</p>	<p>QUALITY SYMBOLS ▽=0 Ⓢ=0</p>	<p>GENERAL TOLERANCES (UNLESS SPECIFIED)</p>		<p>DIMENSION STYLE MM ONLY</p>		<p>SCALE 3:1</p>	<p>DESIGN UNITS METRIC</p>	<p>THIRD ANGLE PROJECTION</p>																										
		<table border="1"> <thead> <tr> <th></th> <th>mm</th> <th>INCH</th> </tr> </thead> <tbody> <tr> <td>4 PLACES</td> <td>± ---</td> <td>± ---</td> </tr> <tr> <td>3 PLACES</td> <td>± ---</td> <td>± ---</td> </tr> <tr> <td>2 PLACES</td> <td>± 0.2</td> <td>± ---</td> </tr> <tr> <td>1 PLACE</td> <td>± 0.2</td> <td>± ---</td> </tr> </tbody> </table>		mm	INCH	4 PLACES	± ---	± ---	3 PLACES	± ---	± ---	2 PLACES	± 0.2	± ---	1 PLACE	± 0.2	± ---	<table border="1"> <thead> <tr> <th>DRAWN BY</th> <th>DATE</th> </tr> </thead> <tbody> <tr> <td>QWFANG</td> <td>2006/09/05</td> </tr> <tr> <th>CHECKED BY</th> <th>DATE</th> </tr> <tr> <td>IWANG</td> <td>2006/09/05</td> </tr> <tr> <th>APPROVED BY</th> <th>DATE</th> </tr> <tr> <td>JNCHEN</td> <td>2006/09/05</td> </tr> </tbody> </table>	DRAWN BY	DATE	QWFANG	2006/09/05	CHECKED BY	DATE	IWANG	2006/09/05	APPROVED BY	DATE	JNCHEN	2006/09/05	<p>TITLE COVER-DOWN FOR DISPLAYPORT</p>			
			mm	INCH																														
		4 PLACES	± ---	± ---																														
3 PLACES	± ---	± ---																																
2 PLACES	± 0.2	± ---																																
1 PLACE	± 0.2	± ---																																
DRAWN BY	DATE																																	
QWFANG	2006/09/05																																	
CHECKED BY	DATE																																	
IWANG	2006/09/05																																	
APPROVED BY	DATE																																	
JNCHEN	2006/09/05																																	
<p>ANGULAR ± 2 °</p>		<p>MATERIAL NO. 47271-0005</p>	<p>DOCUMENT NO. SD-47271-005</p>			<p>SHEET NO. 1 OF 1</p>																												
<p>DRAFT WHERE APPLICABLE MUST REMAIN WITHIN DIMENSIONS</p>		<p>SIZE A3</p>	<p>THIS DRAWING CONTAINS INFORMATION THAT IS PROPRIETARY TO MOLEX INCORPORATED AND SHOULD NOT BE USED WITHOUT WRITTEN PERMISSION</p>																															

9 8 7 6 5 4 3 2 1