

NOTES:

1. MATERIALS:

HOUSING: HIGH TEMPERATURE PLASTIC, UL 94V-0, COLOR: BLACK
 TERMINAL: COPPER ALLOY
 SHIELD: STEEL ALLOY

2. FINISH:

TERMINAL: GOLD PLATING OVER 1.27 MICROMETER(50u") NICKEL IN CONTACT AREA,
 3.81 MICROMETER (150u") PURE TIN OVER 1.27 MICROMETER (50u") NICKEL AT SOLDERING AREA.
 BACK SHIELD: 3.81 MICROMETER (150u") BRIGHT TIN OVER 1.27 MICROMETER (50u") NICKEL OVER COPPER FLASH OVERALL.
 FRONT SHIELD: 1.27 MICROMETER (50u") SOLDERING NICKEL OVER COPPER FLASH OVERALL.

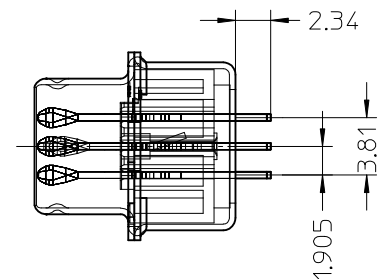
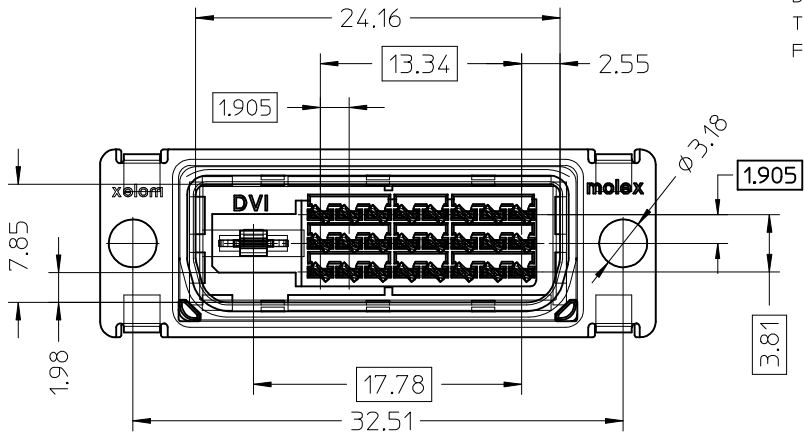
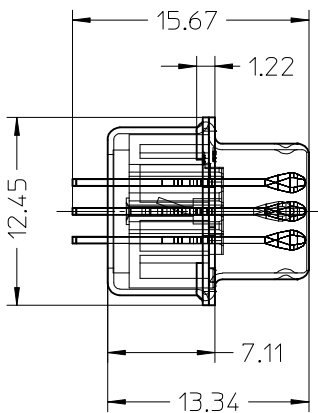
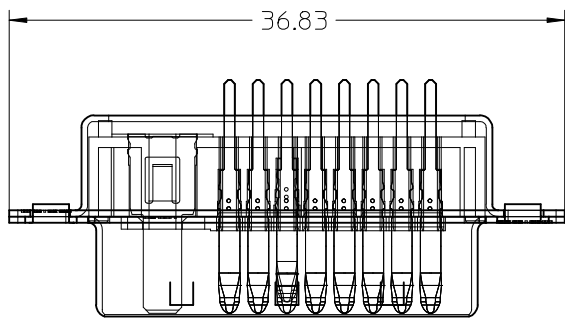
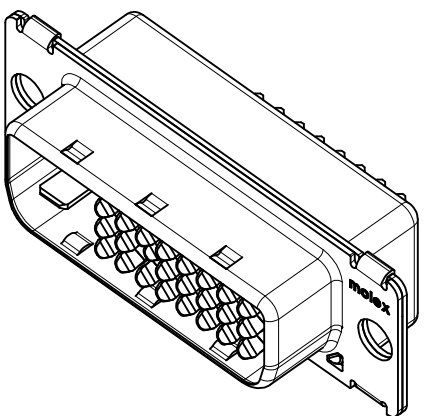
3. PRODUCT SPECIFICATION: PS-74320-001.

4. PACKAGING: PARTS ARE TO BE PACKAGED 40 PCS PER TRAY.

5. THE LOADED CIRCUITS SEE THE CHART.

6. THE DIMENSION SHOWN ON SHEET 1 REFLECT THE DVI-D SINGLE AND DUAL CHANNEL ASSEMBLY.

THE DIMENSION SHOWN ON SHEET 2 REFLECT THE DVI-I ASSEMBLY.
 FOR ALL OTHER DIMENSION REFER TO SHEET 1.



CHANGE FRONT SHELL FINISH

EC NO: SH2016-0197	2015/12/07	DRWN:XQZHANG	2015/12/07	CHKD:XQZHANG	2016/01/18	APPR:AYIN
REV	DESCRIPTION					
C	CHANGE FRONT SHELL FINISH					

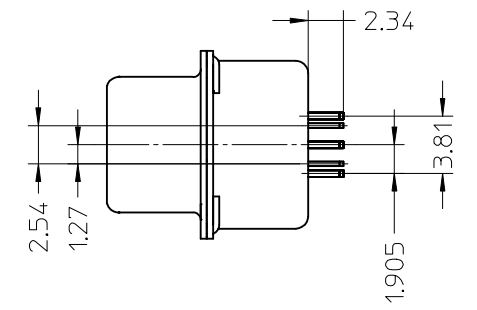
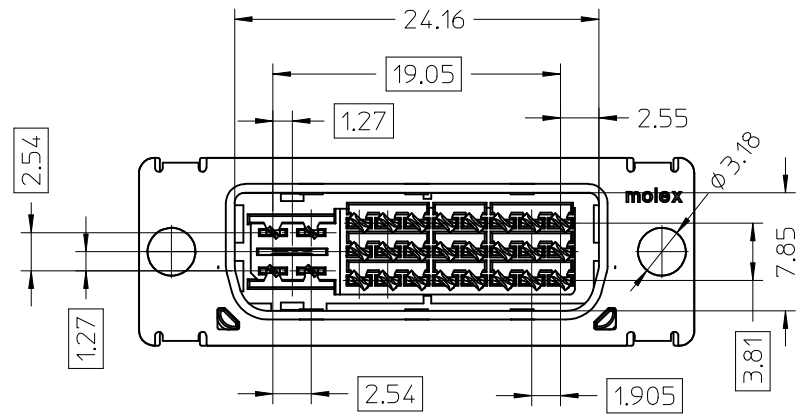
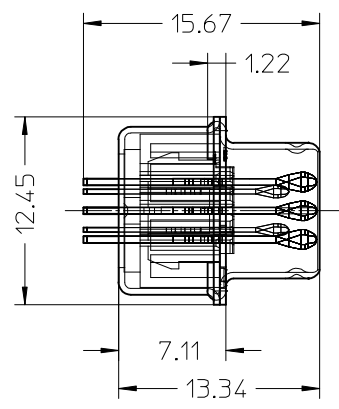
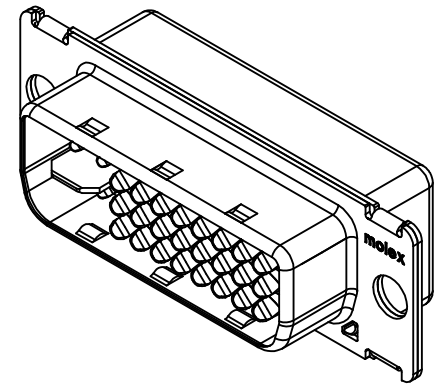
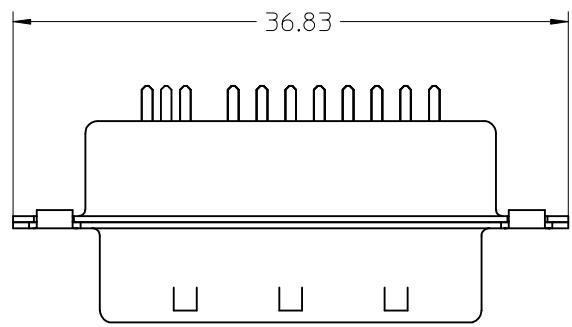
QUALITY SYMBOLS
$\nabla_A = 0$
$\nabla_C = 0$
$\nabla_F = 0$

GENERAL TOLERANCES (UNLESS SPECIFIED)	
mm	INCH
4 PLACES ± ---	± ---
3 PLACES ± ---	± ---
2 PLACES ± 0.25	± ---
1 PLACE ± 0.25	± ---
0 PLACE ±	±
ANGULAR ± .5 °	
DRAFT WHERE APPLICABLE MUST REMAIN WITHIN DIMENSIONS	

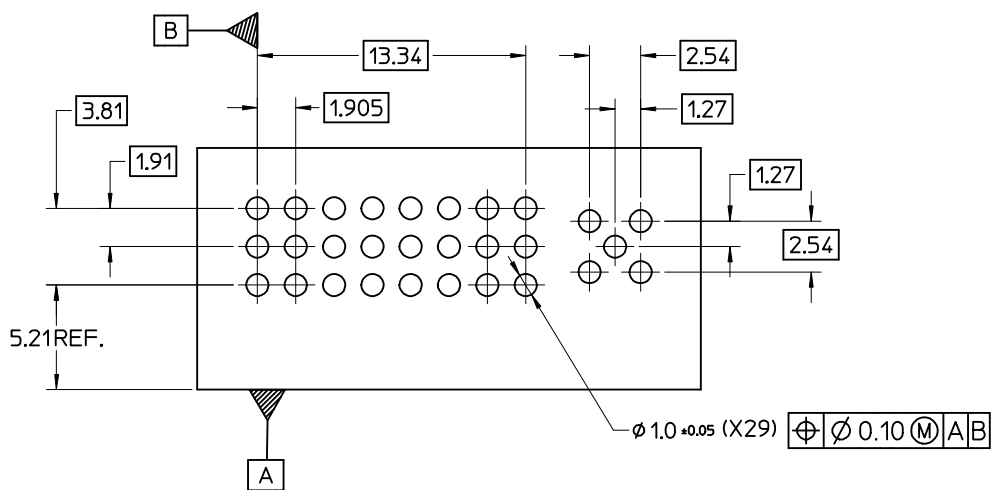
DIMENSION STYLE	
MM ONLY	
DRAWN BY	DATE
JCHIANG	00/05/12
CHECKED BY	DATE
MLIN	00/05/12
APPROVED BY	DATE
MLIN	00/05/12
MATERIAL NO.	DOCUMENT NO.
SEE SHEET 2	SD-74323-005
SIZE	A3

SCALE	DESIGN UNITS	THIRD ANGLE PROJECTION
1:1	INCH	
TITLE		
HIGH VOLUME DVI PLUG CONNECTOR FOR PCB MOUNT		
molex		
MATERIAL NO.	DOCUMENT NO.	SHEET NO.
SEE SHEET 2	SD-74323-005	1 OF 3
THIS DRAWING CONTAINS INFORMATION THAT IS PROPRIETARY TO MOLEX INCORPORATED AND SHOULD NOT BE USED WITHOUT WRITTEN PERMISSION		

PART NO.	DESCRIPTION	LOAD CIRCUIT REF
74323-2101	DVI-D Au FLASH SINGLE CHANNEL	1-3,6-8,9-11,14-16,17-19,22-24 WITH KEY
74323-2103	DVI-D Au FLASH DUAL CHANNEL	1-24, WITH KEY
74323-2131	DVI-I Au FLASH SINGLE CHANNEL	1-3,6-8,9-11,14-16,17-19,22-24 C1-C5
74323-2133	DVI-I Au FLASH DUAL CHANNEL	1-24,C1-C5



SEE SHEET 1 EC NO: SH2016-0197 DRWN: XQZHANG 2015/12/07 CHKD: XQZHANG 2015/12/07 APPR: ATIN 2016/01/18	DESCRIPTION REV	QUALITY SYMBOLS	GENERAL TOLERANCES (UNLESS SPECIFIED)	DIMENSION STYLE	SCALE	DESIGN UNITS	THIRD ANGLE PROJECTION																		
		$\nabla_A = 0$ $\nabla_B = 0$ $\nabla_C = 0$	<table border="1"> <thead> <tr> <th></th> <th>mm</th> <th>INCH</th> </tr> </thead> <tbody> <tr> <td>4 PLACES</td> <td>± ---</td> <td>± ---</td> </tr> <tr> <td>3 PLACES</td> <td>± ---</td> <td>± ---</td> </tr> <tr> <td>2 PLACES</td> <td>± 0.25</td> <td>± ---</td> </tr> <tr> <td>1 PLACE</td> <td>± 0.25</td> <td>± ---</td> </tr> <tr> <td>0 PLACE</td> <td>±</td> <td>±</td> </tr> </tbody> </table>		mm	INCH	4 PLACES	± ---	± ---	3 PLACES	± ---	± ---	2 PLACES	± 0.25	± ---	1 PLACE	± 0.25	± ---	0 PLACE	±	±	MM ONLY	1:1	INCH	
			mm	INCH																					
		4 PLACES	± ---	± ---																					
3 PLACES	± ---	± ---																							
2 PLACES	± 0.25	± ---																							
1 PLACE	± 0.25	± ---																							
0 PLACE	±	±																							
DRAWN BY: JCHIANG CHECKED BY: MLIN APPROVED BY: MLIN DATE: 00/05/12 DATE: 00/05/12 DATE: 00/05/12	MATERIAL NO. SEE TABLE	TITLE HIGH VOLUME DVI PLUG CONNECTOR FOR PCB MOUNT																							
DRAFT WHERE APPLICABLE MUST REMAIN WITHIN DIMENSIONS	SIZE A3	THIS DRAWING CONTAINS INFORMATION THAT IS PROPRIETARY TO MOLEX INCORPORATED AND SHOULD NOT BE USED WITHOUT WRITTEN PERMISSION	DOCUMENT NO. SD-74323-005	SHEET NO. 2 OF 3																					



RECOMMENDED PCB LAYOUT, PCB THICKNESS: 1.60 MM

SEE SHEET 1 EC NO: SH2016-0197 DRWN: XQZHANG 2015/12/07 CHKD: XQZHANG 2015/12/07 APPR: AYIN 2016/01/18	DESCRIPTION REV	QUALITY SYMBOLS	GENERAL TOLERANCES (UNLESS SPECIFIED)		DIMENSION STYLE MM ONLY		SCALE 4:1	DESIGN UNITS INCH	THIRD ANGLE PROJECTION	
		$F_A=0$ $F_C=0$ $F_P=0$	mm	INCH	DRAWN BY JCHIANG	DATE 00/05/12	TITLE HIGH VOLUME DVI PLUG CONNECTOR FOR PCB MOUNT			
		4 PLACES ± --- ± --- 3 PLACES ± --- ± --- 2 PLACES ± 0.25 ± --- 1 PLACE ± 0.25 ± --- 0 PLACE ± ±			CHECKED BY MLIN	DATE 00/05/12				
			ANGULAR ± .5 °		APPROVED BY MLIN	DATE 00/05/12	MATERIAL NO. SEE SHEET 2		DOCUMENT NO. SD-74323-005	
DRAFT WHERE APPLICABLE MUST REMAIN WITHIN DIMENSIONS		SIZE A3	THIS DRAWING CONTAINS INFORMATION THAT IS PROPRIETARY TO MOLEX INCORPORATED AND SHOULD NOT BE USED WITHOUT WRITTEN PERMISSION							