

NOTES:

1. MATERIALS:

HOUSING: HIGH TEMPERATURE PLASTIC, UL 94V-0, COLOR: BLACK  
 TERMINAL: COPPER ALLOY  
 SHIELD: STEEL ALLOY

2. FINISH:

TERMINAL: GOLD PLATING OVER 1.27 MICROMETER(50u") NICKEL IN CONTACT AREA,  
 3.81 MICROMETER (150u") PURE TIN OVER 1.27 MICROMETER (50u") NICKEL AT SOLDERING AREA.  
 BACK SHIELD: 3.81 MICROMETER (150u") BRIGHT TIN OVER 1.27 MICROMETER (50u") NICKEL OVER COPPER FLASH OVERALL.  
 FRONT SHIELD: 1.27 MICROMETER (50u") SOLDERING NICKEL OVER COPPER FLASH OVERALL.

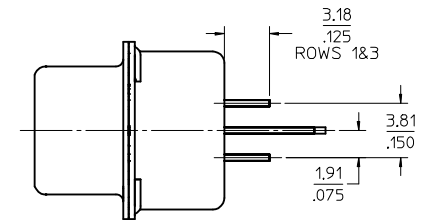
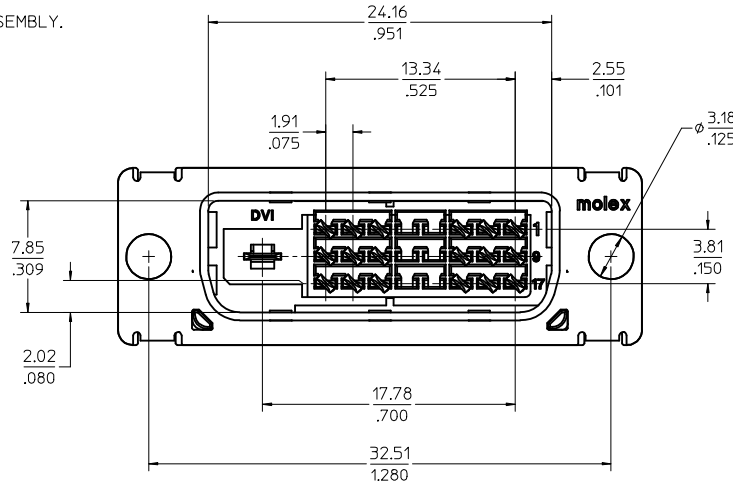
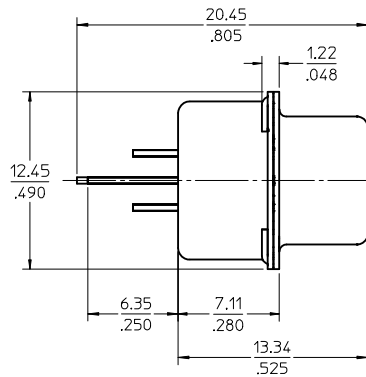
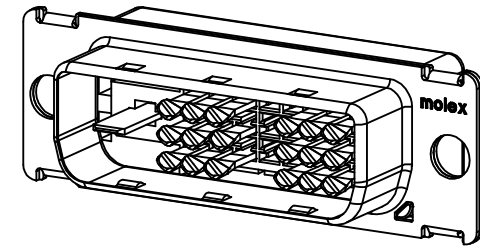
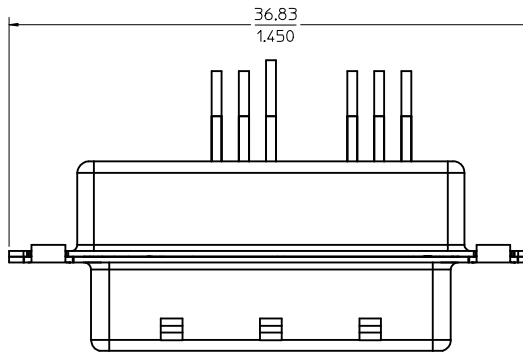
3. PRODUCT SPECIFICATION: PS-74320-001.

4. PACKAGING: PARTS ARE TO BE PACKAGED 40 PCS PER TRAY.

5. THE LOADED CIRCUITS SEE THE CHART.

6. THE TEXTS ARE SHOWN FOR REFERENCE ONLY.

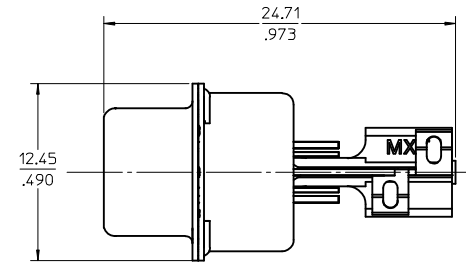
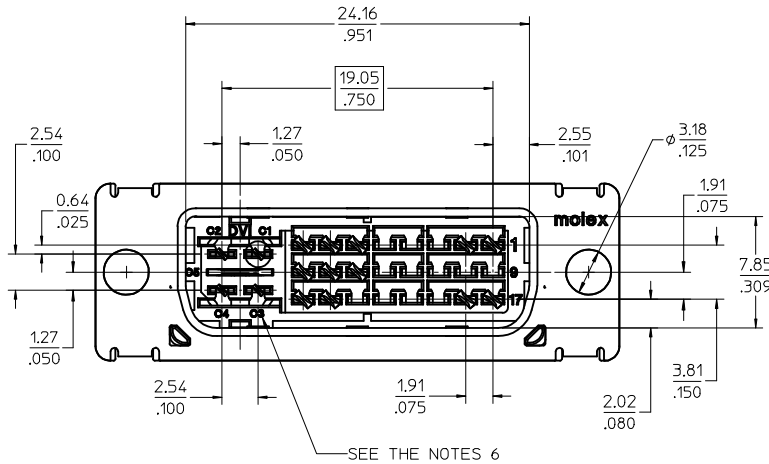
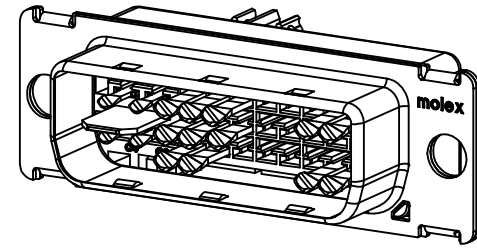
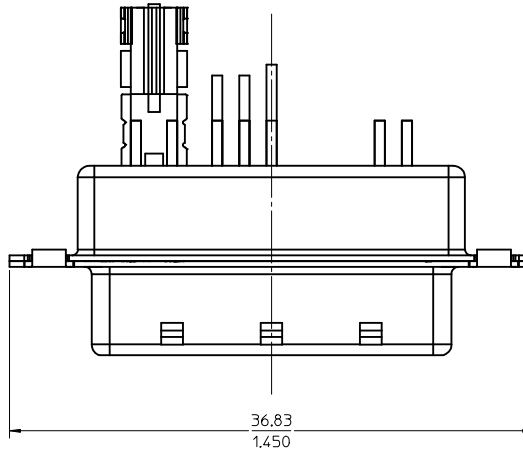
7. THE DIMENSION SHOWN ON SHEET 1 REFLECT THE DVI-D SINGLE AND DUAL CHANNEL SUB-ASSEMBLY.  
 THE DIMENSION SHOWN ON SHEET 2 REFLECT THE DVI-I SUB-ASSEMBLY.  
 FOR ALL OTHER DIMENSION REFER TO SHEET 1.



CHANGE FRONT SHELL FINISH

EC NO: SH2016-0197 DRAWN: XQZHANG 2015/12/07 CHKD: XQZHANG 2015/12/07 APPR: AYIN 2016/01/18	QUALITY SYMBOLS ∇=0 ∇=0 ∇=0	GENERAL TOLERANCES (UNLESS SPECIFIED)		DIMENSION STYLE IN/MM		SCALE 4:1	DESIGN UNITS INCH	THIRD ANGLE PROJECTION	
		4 PLACES ± --- ± ---	mm INCH	DRAWN BY JASON	DATE 99/09/12	TITLE DVI HIGH VOLUME PLUG CONNECTOR SUB-ASSEMBLY			
		3 PLACES ± --- ± .010	± .025 ± ---	CHECKED BY RAFF	DATE 99/09/22	molex			
		2 PLACES ± --- ± ---	± --- ± ---	APPROVED BY MEGA	DATE 99/09/22	MATERIAL NO. SEE SHEET 2	DOCUMENT NO. SD-74323-003	SHEET NO. 1 OF 2	
1 PLACE ± --- ± ---	± --- ± ---	ANGULAR ± 1 °		THIS DRAWING CONTAINS INFORMATION THAT IS PROPRIETARY TO MOLEX INCORPORATED AND SHOULD NOT BE USED WITHOUT WRITTEN PERMISSION					
0 PLACE ± --- ± ---	± --- ± ---	DRAFT WHERE APPLICABLE MUST REMAIN WITHIN DIMENSIONS							

PART NUMBER	DESCRIPTION	LOADED CIRCUITS REF.
74323-2001	DVI-D Au FLASH SINGLE LINK	1-3,6-8,9-11,14-16,17-19,22-24, WITH KEY
74323-2003	DVI-D Au FLASH DUAL LINK	1-24, WITH KEY
74323-2031	DVI-I Au FLASH SINGLE LINK	1-3,6-8,9-11,14-16,17-19,22-24, C1,C2,C3,C4,C5
74323-2033	DVI-I Au FLASH DUAL LINK	1-24, C1,C2,C3,C4,C5



<b>SEE SHEET 1</b> EC NO: SH2016-0197 DRAWN: XZHANG 2015/12/07 CHKD: XZHANG 2015/12/07 APPR: AYIN 2016/01/18	QUALITY SYMBOLS ∇=0 ∇=0 ∇=0	GENERAL TOLERANCES (UNLESS SPECIFIED) <table border="1"> <thead> <tr> <th></th> <th>mm</th> <th>INCH</th> </tr> </thead> <tbody> <tr> <td>4 PLACES</td> <td>± .---</td> <td>± .---</td> </tr> <tr> <td>3 PLACES</td> <td>± .---</td> <td>± .010</td> </tr> <tr> <td>2 PLACES</td> <td>± 0.25</td> <td>± .---</td> </tr> <tr> <td>1 PLACE</td> <td>± .---</td> <td>± .---</td> </tr> <tr> <td>0 PLACE</td> <td>±</td> <td>±</td> </tr> </tbody> </table>		mm	INCH	4 PLACES	± .---	± .---	3 PLACES	± .---	± .010	2 PLACES	± 0.25	± .---	1 PLACE	± .---	± .---	0 PLACE	±	±	DIMENSION STYLE <b>IN/MM</b>	SCALE <b>4:1</b>	DESIGN UNITS <b>INCH</b>	THIRD ANGLE PROJECTION
				mm	INCH																			
4 PLACES	± .---	± .---																						
3 PLACES	± .---	± .010																						
2 PLACES	± 0.25	± .---																						
1 PLACE	± .---	± .---																						
0 PLACE	±	±																						
DRAWN BY: JASON CHECKED BY: RAFF APPROVED BY: MEGA	DATE: 99/09/12 DATE: 99/09/22 DATE: 99/09/22	TITLE <b>DVI HIGH VOLUME PLUG CONNECTOR SUB-ASSEMBLY</b> <b>moLEX</b>	MATERIAL NO. <b>SEE TABLE</b>	DOCUMENT NO. <b>SD-74323-003</b>	SHEET NO. <b>2 OF 2</b>																			

ANGULAR ± 1 °  
 DRAFT WHERE APPLICABLE MUST REMAIN WITHIN DIMENSIONS  
 THIS DRAWING CONTAINS INFORMATION THAT IS PROPRIETARY TO MOLEX INCORPORATED AND SHOULD NOT BE USED WITHOUT WRITTEN PERMISSION