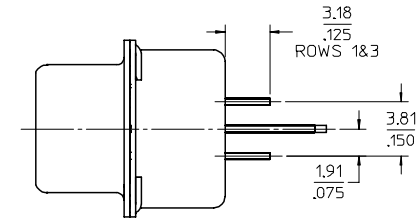
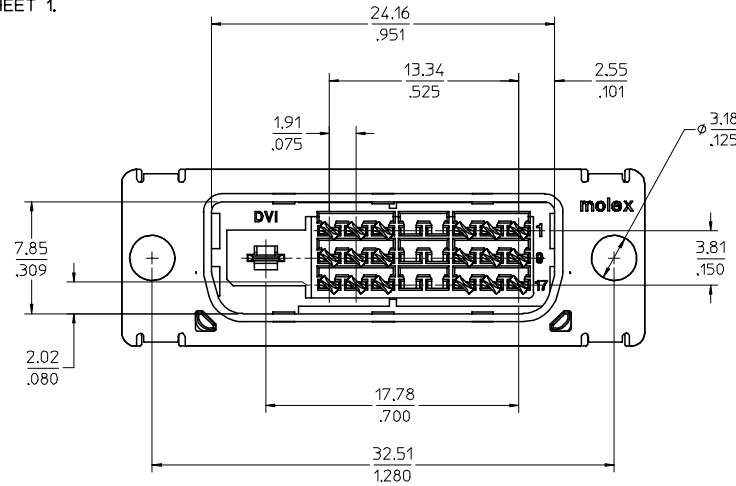
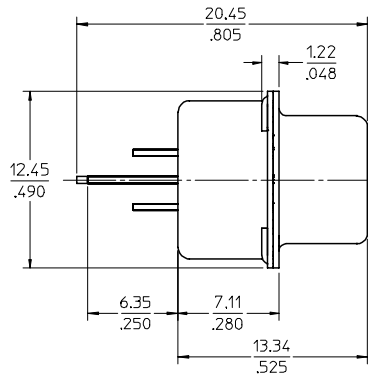
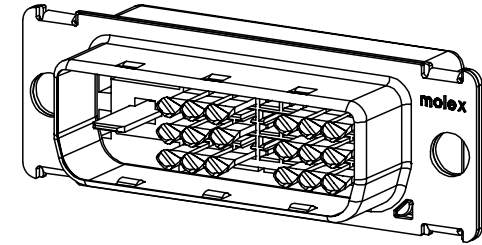
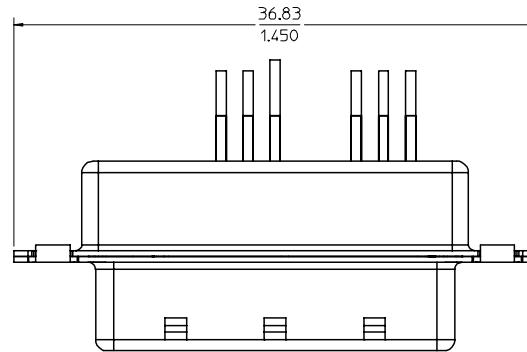


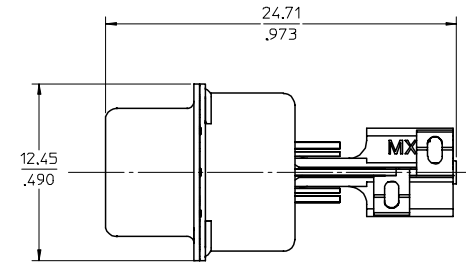
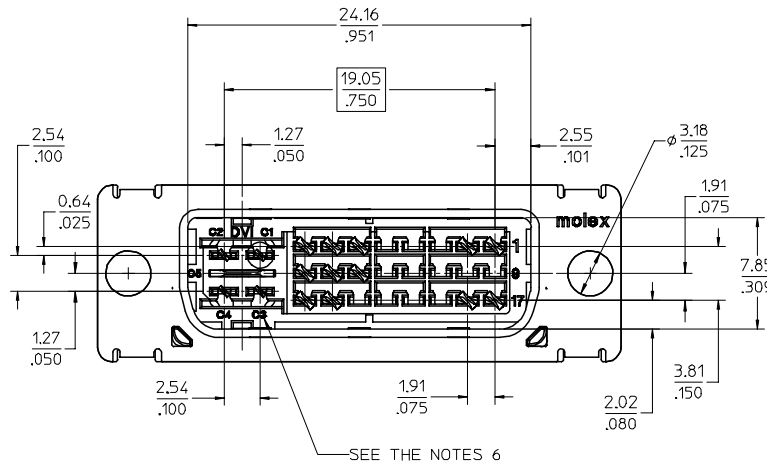
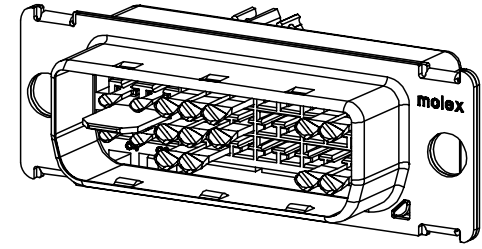
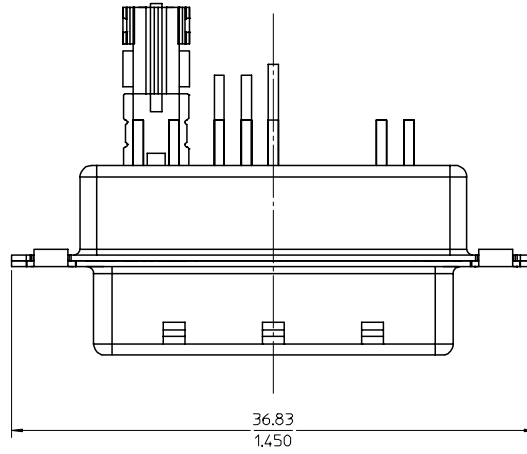
NOTES:

1. MATERIALS: HOUSING: HIGH TEMPERATURE PLASTIC
UL 94V-0, COLOR: BLACK
TERMINAL: COPPER ALLOY
SHIELD: STEEL ALLOY
2. FINISH: TERMINAL: SEE THE CHART FOR GOLD PLATING OVER 1.27 MICROMETER (50 μ') NICKEL IN CONTACT AREA AND 3.81 MICROMETER (150 μ') PURE TIN OVER 1.27 MICROMETER (50 μ') NICKEL AT SOLDERING AREA.
SHIELD: 3.81 MICROMETER (150 μ') BRIGHT TIN OVER 1.27 MICROMETER (50 μ') NICKEL OVERALL.
3. PRODUCT SPECIFICATION: PS-74320-001 .
4. PACKAGING: PARTS ARE TO BE PACKAGED 40 PCS PER TRAY.
5. THE LOADED CIRCUITS SEE THE CHART.
6. THE TEXTS ARE SHOWN FOR REFERENCE ONLY.
7. THE DIMENSION SHOWN ON SHEET 1 REFLECT THE DVI-D SINGLE AND DUAL CHANNEL SUB-ASSEMBLY.
THE DIMENSION SHOWN ON SHEET 2 REFLECT THE DVI-A AND DVI-I SUB-ASSEMBLY, FOR ALL OTHER DIMENSIONS REFER TO SHEET 1.



LEAD-FREE EC NO: SH2005-0067 DRWN: DXUE 2004/8/25 CHK: YTYAR004/09/03 APPR: JZHOU	QUALITY SYMBOLS ▽-0 ◻-0	GENERAL TOLERANCES (UNLESS SPECIFIED)		SCALE 4:1	DESIGN UNITS INCH	THIRD ANGLE PROJECTION	REVISE ON CAD ONLY	
		mm	INCH	DIMENSION STYLE IN/MM		DVI HIGH VOLUME PLUG CONNECTOR SUB-ASSEMBLY		
		4 PLACES ± ---	± ---	DRAWN BY JASON	DATE 99/09/12			
		3 PLACES ± ---	± .010	CHECKED BY RAFF	DATE 99/09/22			
2 PLACES ± 0.25	± ---	ANGULAR ± 1 °		APPROVED BY MEGA	DATE 99/09/22	MATERIAL NO. SEE CHART	DOCUMENT NO. SD-74323-003	SHEET NO. 1 OF 2
1 PLACE ± ---	± ---	DRAFT WHERE APPLICABLE MUST REMAIN WITHIN DIMENSIONS		THIS DRAWING CONTAINS INFORMATION THAT IS PROPRIETARY TO MOLEX INCORPORATED AND SHOULD NOT BE USED WITHOUT WRITTEN PERMISSION				

PART NUMBER	DESCRIPTION	LOADED CIRCUITS REF.
74323-2001	DVI-D Au FLASH SINGLE LINK	1-3,6-8,9-11,14-16,17-19,22-24. WITH KEY
74323-2002	DVI-D 30 u" Au SINGLE LINK	
74323-2003	DVI-D Au FLASH DUAL LINK	1-24, WITH KEY
74323-2004	DVI-D 30 u" Au DUAL LINK	
74323-2011	DVI-A Au FLASH	1-2,6-8,14-16,17-18,23-24, C1,C2,C3,C4,C5
74323-2012	DVI-A 30 u" Au	
74323-2031	DVI-I Au FLASH SINGLE LINK	1-3,6-8,9-11,14-16,17-19,22-24, C1,C2,C3,C4,C5
74323-2032	DVI-I 30 u" Au SINGLE LINK	
74323-2033	DVI-I Au FLASH DUAL LINK	1-24, C1,C2,C3,C4,C5
74323-2034	DVI-I 30 u" Au DUAL LINK	



LEAD-FREE	EC NO: DRWN: DXUE 2004/8/25 CHK: YTYA004/09/03 APPR: JZHOU	QUALITY SYMBOLS	GENERAL TOLERANCES (UNLESS SPECIFIED)	SCALE 4:1	DESIGN UNITS INCH	THIRD ANGLE PROJECTION	REVISE ON CAD ONLY	
		▽ - 0 ◻ - 0	mm	INCH	DIMENSION STYLE IN/MM		DVI HIGH VOLUME PLUG CONNECTOR SUB-ASSEMBLY MOLEX INCORPORATED	
			4 PLACES ± --- ± ---	3 PLACES ± --- ± .010	DRAWN BY DATE JASON 99/09/12	MATERIAL NO. SEE CHART		DOCUMENT NO. SD-74323-003
			2 PLACES ± 0.25 ± ---	1 PLACE ± --- ± ---	CHECKED BY DATE RAFF 99/09/22			
DRAFT WHERE APPLICABLE MUST REMAIN WITHIN DIMENSIONS			APPROVED BY DATE MEGA 99/09/22	THIS DRAWING CONTAINS INFORMATION THAT IS PROPRIETARY TO MOLEX INCORPORATED AND SHOULD NOT BE USED WITHOUT WRITTEN PERMISSION				