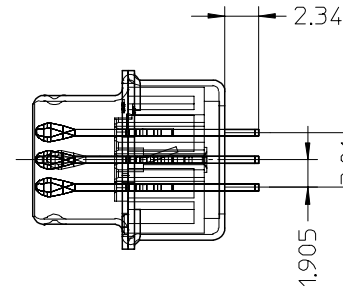
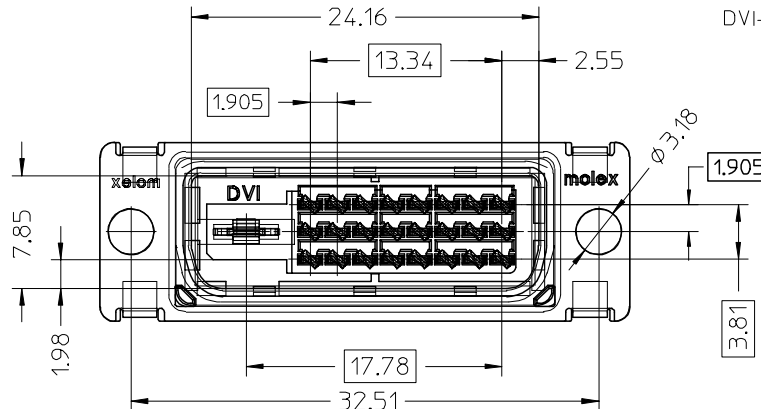
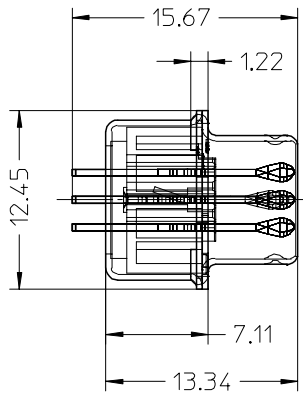


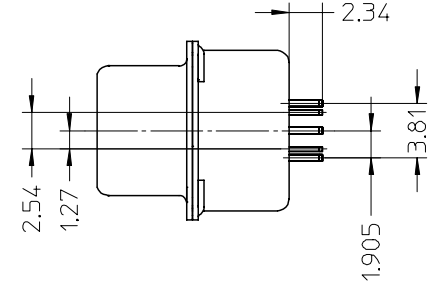
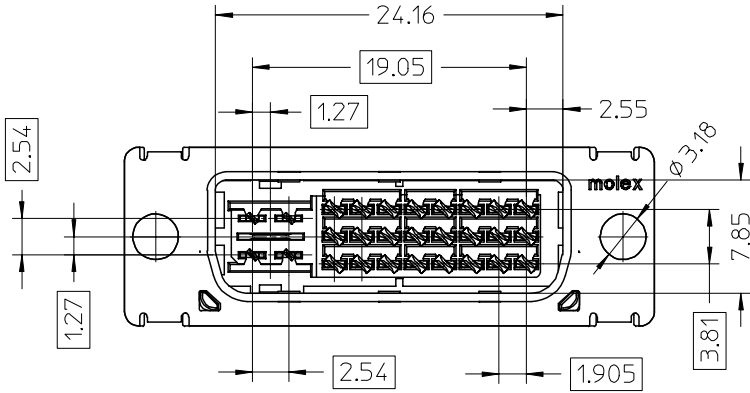
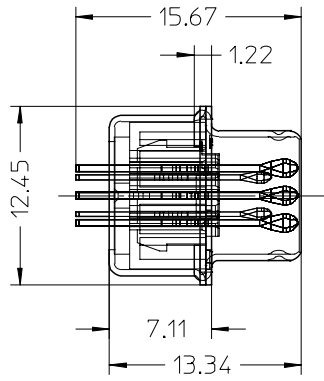
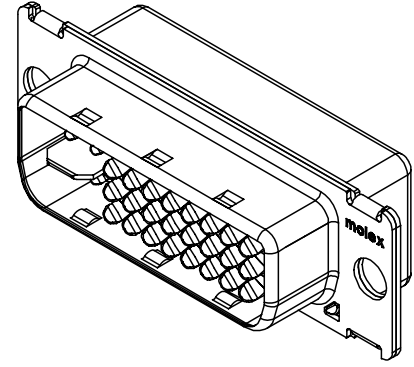
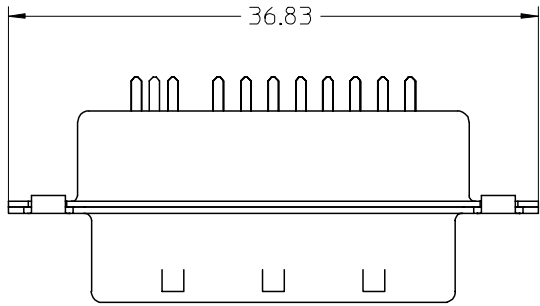
NOTES:

- 1.MATERIALS: HOUSING: HIGH TEMPERATURE PLASTIC
UL 94V-0, COLOR: BLACK
TERMINAL: COPPER ALLOY
SHIELD: STEEL ALLOY
- 2.FINISH: TERMINAL: SEE THE CHART FOR GOLD PLATING OVER 1.27 MICROMETER (50u") NICKEL IN CONTACT AREA AND 3.81 MICROMETER (150u") PURE TIN OVER 1.27 MICROMETER (50u") NICKEL AT SOLDERING AREA.
SHIELD: 3.81 MICROMETER (150u") BRIGHT TIN OVER 1.27 MICROMETER (50u") NICKEL OVERALL.
- 3.PRODUCT SPECIFICATION: PS-74320-001.
- 4.PACKAGING: PARTS ARE TO BE PACKAGED 40 PCS PER TRAY.
- 5.THE LOADED CIRCUITS SEE THE CHART.
- 6.THE DIMENSION SHOWN ON SHEET 1 REFLECT THE DVI-D SINGLE AND DUAL CHANNEL ASSEMBLY.
THE DIMENSION SHOWN ON SHEET 2 REFLECT THE DVI-A AND DVI-I ASSEMBLY. FOR ALL OTHER DIMENSIONS REFER TO SHEET 1.

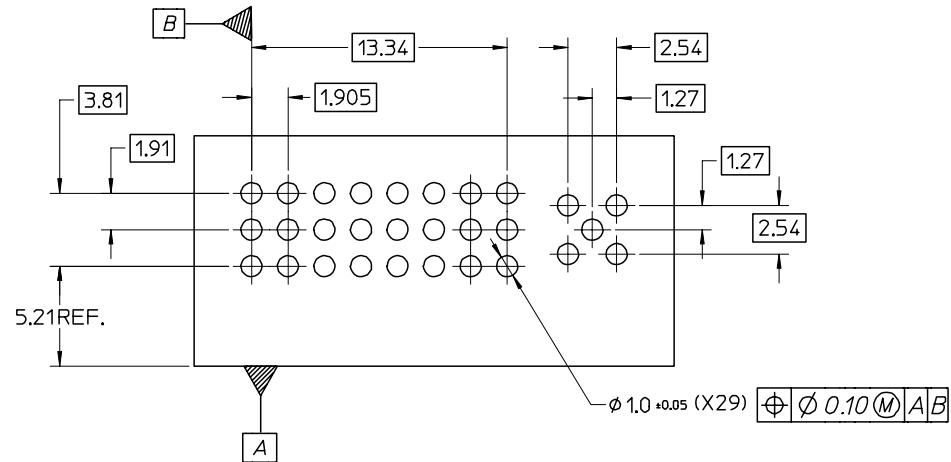


LEAD-FREE EC NO: SH2005-0067 DRWN:DXUE 2004/09/02 CHKD: 2004/09/03 APPR: YTYAP 2004/09/03	QUALITY SYMBOLS $\blacktriangledown = 0$ $\blacktriangledown = 0$	GENERAL TOLERANCES (UNLESS SPECIFIED)		SCALE 1:1	DESIGN UNITS INCH	THIRD ANGLE PROJECTION	REVISE ON CAD ONLY	
		4 PLACES ± 0.25	3 PLACES ± 0.25	2 PLACES ± 0.25	1 PLACE ± 0.25	DIMENSION STYLE MM ONLY		TITLE HIGH VOLUME DVI PLUG CONNECTOR FOR PCB MOUNT
		ANGULAR $\pm .5^\circ$				DRAWN BY JCHIANG	DATE 00/05/12	
		DRAFT WHERE APPLICABLE MUST REMAIN WITHIN DIMENSIONS				CHECKED BY MLIN	DATE 00/05/12	MATERIAL NO. SEE TABLE
REV B	DESCRIPTION			APPROVED BY MLIN	DATE 00/05/12	SHEET NO. 1 OF 3	B	

PART NO.	DESCRIPTION	LOAD CIRCUIT REF
74323-2101	DVI-D Au FLASH SINGLE CHANNEL	1-3,6-8,9-11,14-16,17-19,22-24 WITH KEY
74323-2102	DVI-D 30 u" Au SINGLE CHANNEL	1-3,6-8,9-11,14-16,17-19,22-24 WITH KEY
74323-2103	DVI-D Au FLASH DUAL CHANNEL	1-24, WITH KEY
74323-2104	DVI-D 30 u" Au DUAL CHANNEL	1-24, WITH KEY
74323-2111	DVI-A Au FLASH	1-2,6-8,14-16,17-18,23-24 C1-C5
74323-2112	DVI-A 30 u" Au	1-2,6-8,14-16,17-18,23-24 C1-C5
74323-2131	DVI-I Au FLASH SINGLE CHANNEL	1-3,6-8,9-11,14-16,17-19,22-24 C1-C5
74323-2132	DVI-I 30 u" Au SINGLE CHANNEL	1-3,6-8,9-11,14-16,17-19,22-24 C1-C5
74323-2133	DVI-I Au FLASH DUAL CHANNEL	1-24,C1-C5
74323-2134	DVI-I 30 u" Au DUAL CHANNEL	1-24,C1-C5



LEAD-FREE EC NO: SH2005-0067 DRWN:DXUE 2004/09/02 CHKD: 2004/09/03 APPR: YTYAP 2004/09/09	QUALITY SYMBOLS ▽ = 0 ▽ = 0	GENERAL TOLERANCES (UNLESS SPECIFIED)		SCALE 1:1	DESIGN UNITS INCH	THIRD ANGLE PROJECTION	REVISE ON CAD ONLY	
		4 PLACES ± --- ± --- 3 PLACES ± --- ± --- 2 PLACES ± 0.25 ± --- 1 PLACE ± 0.25 ± ---	DIMENSION STYLE MM ONLY	TITLE HIGH VOLUME DVI PLUG CONNECTOR FOR PCB MOUNT				
		ANGULAR ± .5 °	DRAFT WHERE APPLICABLE	DRAWN BY JCHIANG CHECKED BY MLIN	DATE 00/05/12 DATE 00/05/12	MOLEX INCORPORATED		
		MUST REMAIN WITHIN DIMENSIONS	THIS DRAWING CONTAINS INFORMATION THAT IS PROPRIETARY TO MOLEX INCORPORATED AND SHOULD NOT BE USED WITHOUT WRITTEN PERMISSION	APPROVED BY MLIN	DATE 00/05/12	MATERIAL NO. SEE TABLE	DOCUMENT NO. SD-74323-005	SHEET NO. 2 OF 3



RECOMMENDED PCB LAYOUT ,PCB THICKNESS :1.60 MM

LEAD-FREE EC NO: SH2005-0067 DRWN:DXUE 2004/09/02 CHKD: 2004/09/03 APPR: YTYAP 2004/09/09	QUALITY SYMBOLS ▽ = 0 ▽ = 0	GENERAL TOLERANCES (UNLESS SPECIFIED)		SCALE 4:1	DESIGN UNITS INCH	THIRD ANGLE PROJECTION	REVISE ON CAD ONLY
		4 PLACES ± --- ± --- 3 PLACES ± --- ± --- 2 PLACES ± 0.25 ± --- 1 PLACE ± 0.25 ± ---	DIMENSION STYLE MM ONLY	TITLE HIGH VOLUME DVI PLUG CONNECTOR FOR PCB MOUNT			
		ANGULAR ± .5 ° DRAFT WHERE APPLICABLE MUST REMAIN WITHIN DIMENSIONS	DRAWN BY JCHIANG	DATE 00/05/12	MOLEX INCORPORATED		
		APPROVED BY MLIN	DATE 00/05/12	MATERIAL NO. SEE TABLE	DOCUMENT NO. SD-74323-005	SHEET NO. 3 OF 3	
REV B	DESCRIPTION B	THIS DRAWING CONTAINS INFORMATION THAT IS PROPRIETARY TO MOLEX INCORPORATED AND SHOULD NOT BE USED WITHOUT WRITTEN PERMISSION					B