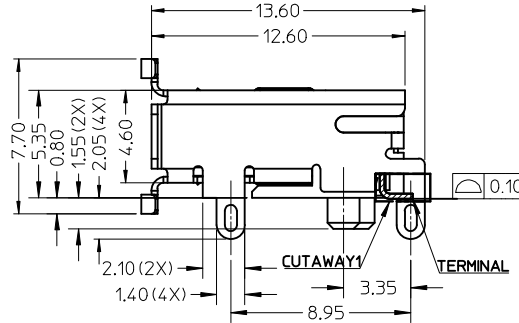
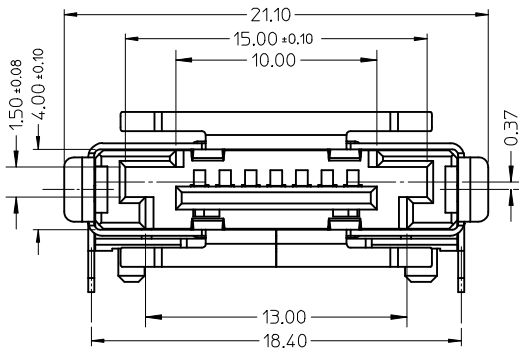


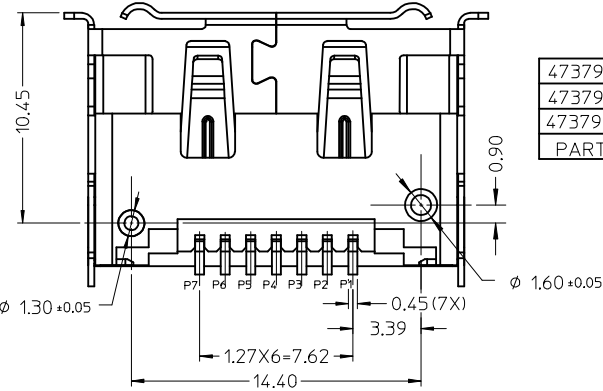
RECOMMEND PCB LAYOUT (CONNECTOR SIDE)
THICKNESS=1.30 (ALL TOLERANCE: +/-0.05)



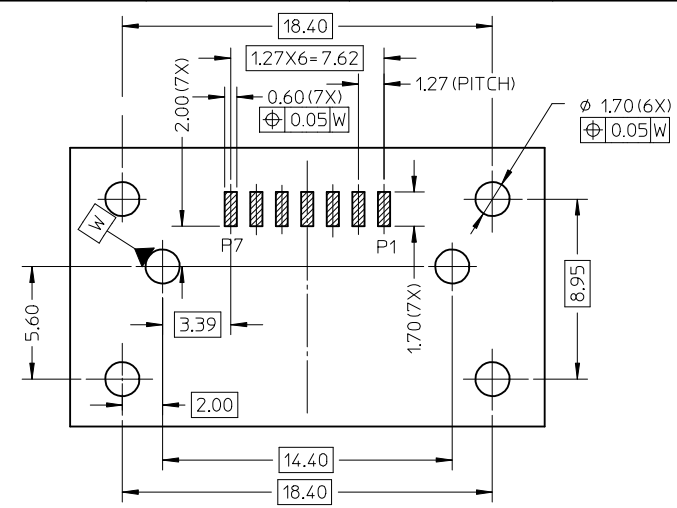
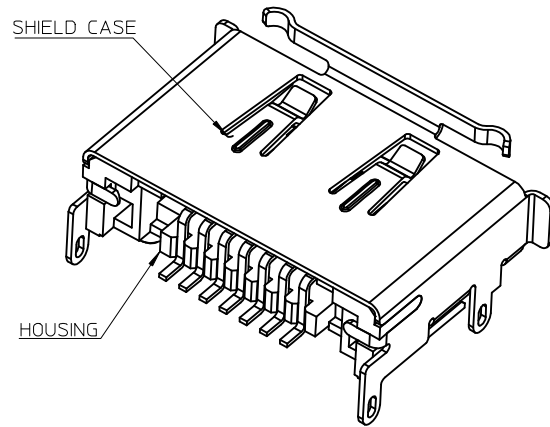
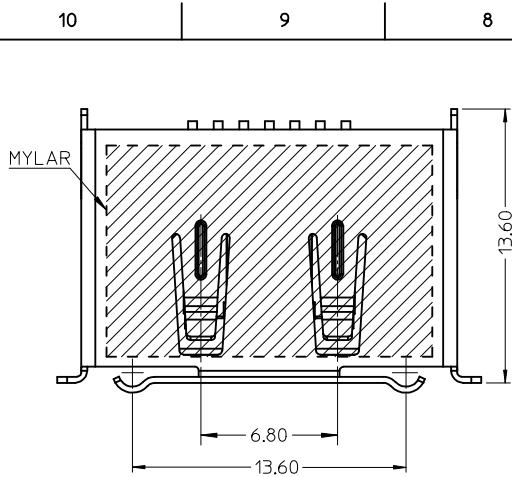
NOTES:

- MATERIAL:
HOUSING: THERMAL PLASTIC. COLOR: BLACK, UL94V-0.
SHIELD CASE: COPPER ALLOY.
TERMIANL: COPPER ALLOY.
- PLATING:
SHIELD CASE: 100~200µ SOLDERABLE NICKEL OVER ALL.
TERMINAL: CONTACT AREA GOLD PLATING(SEE CHART) AND SOLDER TAIL 50~100µ TIN ALLOY PLATING OVER 50µ MIN. NICKEL.
- PRODUCT SPEC REFER TO PS-47082-001.
- PACKAGE SPEC REFER TO PK-47379-001.
- PRODUCT MEET STANDARD 1.0 REVISION OF THE SERIAL ATA II: CABLE AND CONNECTOR VOL 2 SPECIFICATION.
- PRODUCT COMPLIANT TO RoHS DIRECTIVE 2002/95/EC AND ELV 2000/53/EC.

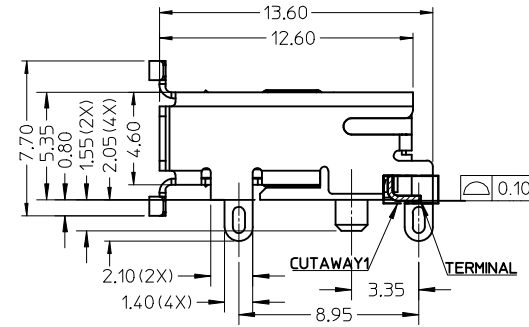
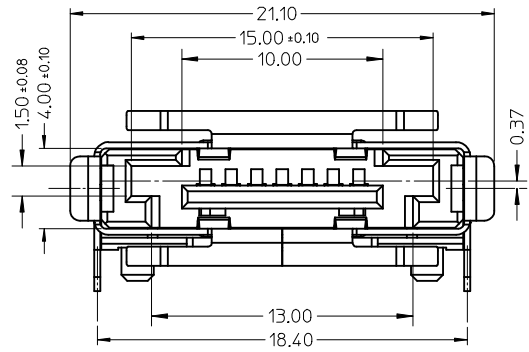
47379-2000	TERMINAL CONTACT AREA PLATED 30µ GOLD
47379-1000	TERMINAL CONTACT AREA PLATED 15µ GOLD
47379-0000	TERMINAL CONTACT AREA PLATED GOLD FLASH
PART NO.	DESCRIPTION



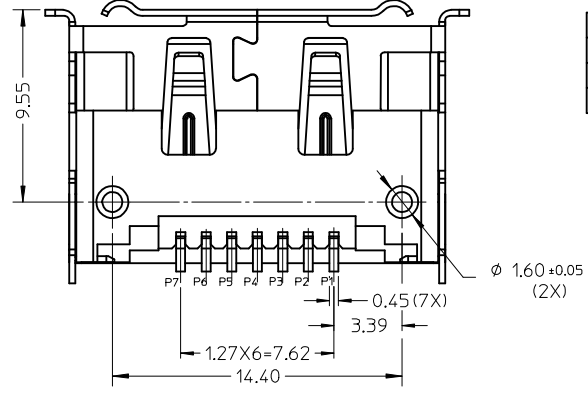
REVISED	EC NO: 2007/04/30	QUALITY SYMBOLS	GENERAL TOLERANCES (UNLESS SPECIFIED)	DIMENSION STYLE	SCALE	DESIGN UNITS	THIRD ANGLE PROJECTION
	DRW:GLLI	▽=0		MM ONLY	1:1	METRIC	
	CHKD: 2007/05/04	▽C=0	4 PLACES ± --- ± ---	DRAWN BY DATE	TITLE		
	APPR: JINCHEN	REV	3 PLACES ± --- ± ---	DIXON LI 2005/12/23	EXTERNAL SATA PLUG		
			2 PLACES ± 0.2 ± ---	CHECKED BY DATE	SMT WITH SHELL		
			1 PLACE ± 0.25 ± ---	JENNY ZENG 2005/12/23	TOP MOUNT TYPE		
			ANGULAR ± 3 °	APPROVED BY DATE	MOLEX INCORPORATED		
				GRATE MA 2005/12/23	DOCUMENT NO.		
				MATERIAL NO.	SD-47379-100		
				SEE CHART	SHEET NO.		
					1 OF 3		
					THIS DRAWING CONTAINS INFORMATION THAT IS PROPRIETARY TO MOLEX INCORPORATED AND SHOULD NOT BE USED WITHOUT WRITTEN PERMISSION		



RECOMMEND PCB LAYOUT (CONNECTOR SIDE)
THICKNESS=1.30 (ALL TOLERANCE: +/-0.05)



47379-2100	TERMINAL CONTACT AREA PLATED 30µ GOLD
47379-1100	TERMINAL CONTACT AREA PLATED 15µ GOLD
47379-0100	TERMINAL CONTACT AREA PLATED GOLD FLASH
PART NO.	DESCRIPTION

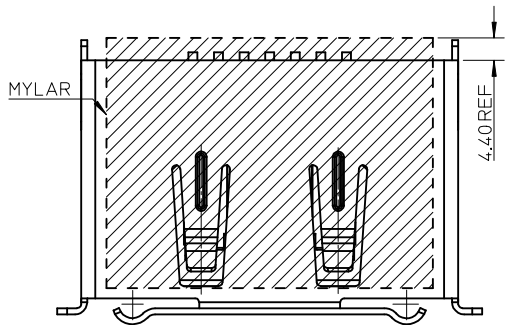


REVISED	EC NO:	2007/04/30
	DRWNG:GLL	2007/05/04
D	CHKD:	2007/05/04
	APPR: JINCHEN	2007/05/09
REV	DESCRIPTION	

QUALITY SYMBOLS	▽=0
	∇=0
	4 PLACES ± --- ± ---
	3 PLACES ± --- ± ---
	2 PLACES ± 0.2 ± ---
1 PLACE ± 0.25 ± ---	
ANGULAR ± 3 °	
DRAFT WHERE APPLICABLE MUST REMAIN WITHIN DIMENSIONS	

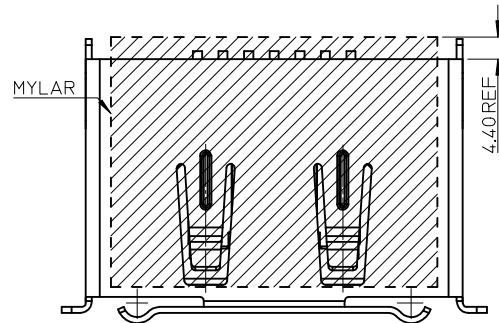
GENERAL TOLERANCES (UNLESS SPECIFIED)	
mm	INCH
4 PLACES ± --- ± ---	
3 PLACES ± --- ± ---	
2 PLACES ± 0.2 ± ---	
1 PLACE ± 0.25 ± ---	
ANGULAR ± 3 °	
DRAFT WHERE APPLICABLE MUST REMAIN WITHIN DIMENSIONS	

DIMENSION STYLE	SCALE	DESIGN UNITS	THIRD ANGLE PROJECTION
MM ONLY	1:1	METRIC	
DRAWN BY	DATE	TITLE	
DIXON LI	2005/12/23	EXTERNAL SATA PLUG	
CHECKED BY	DATE	SMT WITH SHELL	
JENNY ZENG	2005/12/23	TOP MOUNT TYPE	
APPROVED BY	DATE	MOLEX INCORPORATED	
GRATE MA	2005/12/23	SD-47379-100	
MATERIAL NO.	DOCUMENT NO.	SHEET NO.	
SEE CHART		2 OF 3	



ALL DIMENSION REFER TO SHEET 1.

47379-2010	TERMINAL CONTACT AREA PLATED 30μ" GOLD
47379-1010	TERMINAL CONTACT AREA PLATED 15μ" GOLD
47379-0010	TERMINAL CONTACT AREA PLATED GOLD FLASH
PART NO.	DESCRIPTION



ALL DIMENSION REFER TO SHEET 2.

47379-2110	TERMINAL CONTACT AREA PLATED 30μ" GOLD
47379-1110	TERMINAL CONTACT AREA PLATED 15μ" GOLD
47379-0110	TERMINAL CONTACT AREA PLATED GOLD FLASH
PART NO.	DESCRIPTION

REVISED EC NO: SH2007-0788 DRWG:GLL CHKD:JTIAN APPR:JINCHEN	2007/04/30 2007/05/04 2007/05/09	DESCRIPTION REV	QUALITY SYMBOLS	GENERAL TOLERANCES (UNLESS SPECIFIED)	DIMENSION STYLE	SCALE	DESIGN UNITS	THIRD ANGLE PROJECTION		
			$\nabla=0$ $\square=0$	mm INCH 4 PLACES ± --- ± --- 3 PLACES ± --- ± --- 2 PLACES ± 0.2 ± --- 1 PLACE ± 0.25 ± --- ANGULAR ± 3 °	MM ONLY	1:1	METRIC	DRAWN BY: DIXON LI DATE: 2005/12/23 CHECKED BY: JENNY ZENG DATE: 2005/12/23 APPROVED BY: GRATE MA DATE: 2005/12/23	TITLE	EXTERNAL SATA PLUG SMT WITH SHELL TOP MOUNT TYPE
			DRAFT WHERE APPLICABLE MUST REMAIN WITHIN DIMENSIONS	SEE CHART	MATERIAL NO.	DOCUMENT NO.	SHEET NO.	MOLEX INCORPORATED SD-47379-100 3 OF 3		
			THIS DRAWING CONTAINS INFORMATION THAT IS PROPRIETARY TO MOLEX INCORPORATED AND SHOULD NOT BE USED WITHOUT WRITTEN PERMISSION							