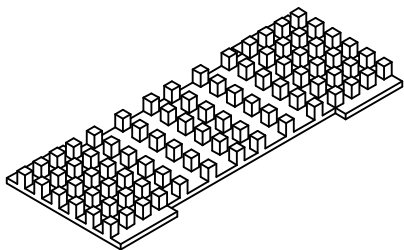
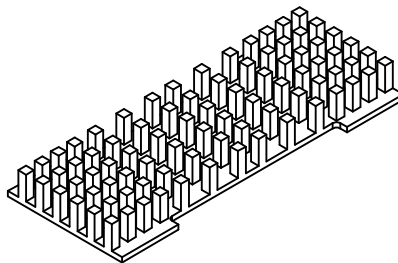


PCI HEIGHT



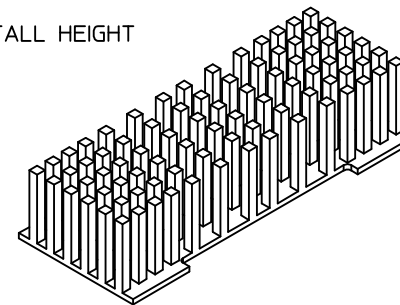
PART NUMBER - 747360240  
 DIMENSION A - 4.2mm  
 POWER LEVEL - UP TO 1.5W  
 THERMAL RESISTANCE @ 200 LFM - <18.0 C/W

SAN HEIGHT

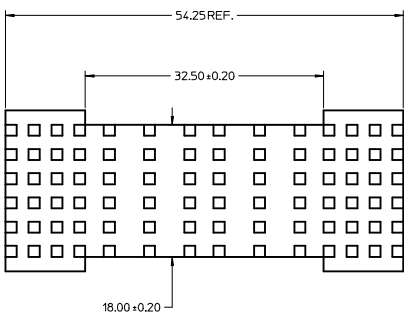


PART NUMBER - 747360241  
 DIMENSION A - 6.5mm  
 POWER LEVEL - UP TO 2.5W  
 THERMAL RESISTANCE @ 200 LFM - <11.5 C/W

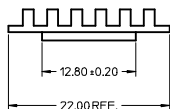
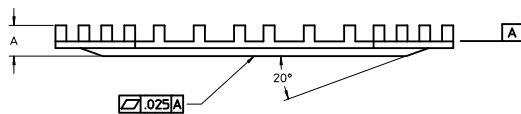
TALL HEIGHT



PART NUMBER - 747360242  
 DIMENSION A - 13.5mm  
 POWER LEVEL - UP TO 3.5W  
 THERMAL RESISTANCE @ 200 LFM - <8.0 C/W



MATERIAL: ALUMINUM  
 FINISH: BLACK ANODIZE  
 CONFORMS TO XFP MSA REVISION 4.0  
 CUSTOM DESIGNS AVAILABLE



<b>REDRAWN</b> EC NO: USY2010-0023 DRAWN: ERWIN 2009/07/28 CHKD: HIRSCHY 2009/07/31 APPR: KRONDE 2009/08/03 REV DESCRIPTION	QUALITY SYMBOLS ▽=0 ▽=0		GENERAL TOLERANCES (UNLESS SPECIFIED) <table border="1"> <thead> <tr> <th></th> <th>mm</th> <th>INCH</th> </tr> </thead> <tbody> <tr> <td>4 PLACES</td> <td>±.005</td> <td>±.0005</td> </tr> <tr> <td>3 PLACES</td> <td>±.010</td> <td>±.0005</td> </tr> <tr> <td>2 PLACES</td> <td>±.013</td> <td>±.0005</td> </tr> <tr> <td>1 PLACE</td> <td>±.025</td> <td>±.0005</td> </tr> </tbody> </table> ANGULAR ± 2°			mm	INCH	4 PLACES	±.005	±.0005	3 PLACES	±.010	±.0005	2 PLACES	±.013	±.0005	1 PLACE	±.025	±.0005	DIMENSION STYLE <b>MM ONLY</b>		SCALE <b>3:1</b>		DESIGN UNITS <b>METRIC</b>		THIRD ANGLE PROJECTION	
		mm	INCH																								
	4 PLACES	±.005	±.0005																								
	3 PLACES	±.010	±.0005																								
2 PLACES	±.013	±.0005																									
1 PLACE	±.025	±.0005																									
DRAWN BY: KLOYD CHECKED BY: BRUSSELL APPROVED BY: BRUSSELL			DATE: 2004/06/11 DATE: 2004/08/05 DATE: 2004/08/05		TITLE <b>XFPCAGE, PIN FIN HEAT SINKS</b>																						
MATERIAL NO. <b>SEE DRAWING</b>			DOCUMENT NO. <b>SD-74736-0240</b>		MOLEX INCORPORATED																						
DRAFT WHERE APPLICABLE MUST REMAIN WITHIN DIMENSIONS			SIZE <b>D</b>		THIS DRAWING CONTAINS INFORMATION THAT IS PROPRIETARY TO MOLEX INCORPORATED AND SHOULD NOT BE USED WITHOUT WRITTEN PERMISSION																						

20 19 18 17 16 15 14 13 12 11 10 9 8 7 6 5 4 3 2 1

DATE	REV	DESCRIPTION
2004/06/11	A	INITIAL RELEASE
2008/08/18	B	1. ADDED REVISION HISTORY
		2. 6.5mm DIMENSION WAS 6.50mm
		3. 4.2mm DIMENSION WAS 4.20mm

<b>REDRAWN</b> IEC NO. USY2010-0023 DRAWN: LERMIN 2009/07/28 CHECKED: CHIRSCHY 2009/07/31 APPR: KMONROE 2009/08/03	QUALITY SYMBOLS	GENERAL TOLERANCES (UNLESS SPECIFIED)	DIMENSION STYLE	SCALE	DESIGN UNITS	THIRD ANGLE PROJECTION
	▽=0 ▽=0	mm    INCH 4 PLACES ± --- ± --- 3 PLACES ± --- ± --- 2 PLACES ± 0.13 ± --- 1 PLACE ± 0.25 ± --- ANGULAR ± 2 °	MM ONLY DRAWN BY DATE K LLOYD 2004/06/11 CHECKED BY DATE BRUSSELL 2004/08/05 APPROVED BY DATE BRUSSELL 2004/08/05	DATE TITLE XFP CAGE, PIN FIN HEAT SINKS	METRIC	
	DRAFT WHERE APPLICABLE MUST REMAIN WITHIN DIMENSIONS	MATERIAL NO. SEE DRAWING	DOCUMENT NO. SD-74736-0240	SHEET NO. 2 OF 2		
	THIS DRAWING CONTAINS INFORMATION THAT IS PROPRIETARY TO MOLEX INCORPORATED AND SHOULD NOT BE USED WITHOUT WRITTEN PERMISSION					

19 18 17 16 15 14 13 12 11 10 9 8 7 6 5 4 3 2 1