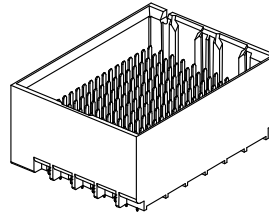


- NOTES:
- MATERIALS: HOUSING - LIQUID CRYSTAL POLYMER (LCP)  
GLASS-FILLED, UL94V-0  
TERMINALS - HIGH PERFORMANCE COPPER ALLOY
  - FINISH: 30µ MIN GOLD IN CONTACT AREA.  
SELECTIVE TIN ON PCB TAILS.  
NICKEL OVERALL.
  - REFER TO MOLEX PRODUCT SPECIFICATION PS-76060-999  
FOR PERFORMANCE SPECIFICATIONS AND ADDITIONAL PCB INFORMATION.
  - THIS PART CONFORMS TO CLASS B REQUIREMENTS OF  
MOLEX COSMETIC SPEC PS-45499-002.
  - PARTS PACKAGED PER PK-70873-7703.
  - SEE SHEETS 2 & 3 FOR PART NUMBERS AND BOARD RELATIONSHIPS.
  - MATES WITH IMPACT DC SERIES NO. 76150.
  - REFER TO MOLEX PCB ROUTING GUIDE AS-76060-990 FOR ANTIPAD AND  
ROUTING RECOMMENDATIONS.
  - "THESE DIMENSIONS REPRESENT THE AREA NEEDED TO ACCOMMODATE  
CONNECTOR INSERTION AND REPAIR ON THE PC BOARD. THIS IS REFERRED  
TO AS THE "CONNECTOR KEEP OUT ZONE" AND DOES NOT REPRESENT THE  
ACTUAL PERIMETER OF THE CONNECTOR. WHEN LAYING OUT A PC BOARD FOR  
CONNECTORS STACK TOGETHER, USE A 1.9mm PROGRESSION."

REVISED (MINOR) EC NO: UCP2014-0887 DRWN: B INGHAM 2013/08/25 CHKD: LAURX 2013/08/25 APPR: LAURX 2013/09/25	DESCRIPTION REV	QUALITY SYMBOLS ▽=0 ▽=0 ▽=0	GENERAL TOLERANCES (UNLESS SPECIFIED)		DIMENSION STYLE MM ONLY		SCALE 4:1	DESIGN UNITS METRIC	THIRD ANGLE PROJECTION	
			mm	INCH	DRAWN BY MSANDBERG	DATE 2007/12/26	TITLE <b>IMPACT 6 PAIR HEADER UNGUIDED ASSEMBLY SALES DRAWING</b> <b>molex</b>		DOCUMENT NO. SD-76145-001	
			4 PLACES ± ---	± ---	CHECKED BY JLAURX	DATE 2007/12/26				
			3 PLACES ± ---	± ---	APPROVED BY JLAURX	DATE 2010/02/22				
ANGULAR ±1/2°		DRAFT WHERE APPLICABLE MUST REMAIN WITHIN DIMENSIONS		MATERIAL NO. SEE TABLE		SIZE C		SHEET NO. 1 OF 3		
THIS DRAWING CONTAINS INFORMATION THAT IS PROPRIETARY TO MOLEX INCORPORATED AND SHOULD NOT BE USED WITHOUT WRITTEN PERMISSION										

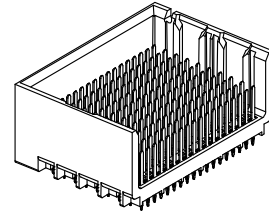
# PART NUMBER TABLE

MATERIAL NUMBER	# OF COLUMNS	# OF DIFF PAIR	DIM 'A'	DIM 'B'	DUAL END WALL OPTION
76145-*12*	10	60	21.7	17.10	
76145-*72*	14	84	29.3	24.70	
76145-*62*	16	96	33.1	28.50	



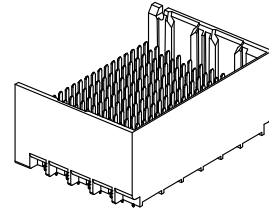
DUAL END  
WALL OPTION

MATERIAL NUMBER	# OF COLUMNS	# OF DIFF PAIR	DIM 'A'	DIM 'B'	LEFT END WALL OPTION
76145-*11*	10	60	20.3	17.10	
76145-*71*	14	84	27.9	24.70	
76145-*61*	16	96	31.7	28.50	



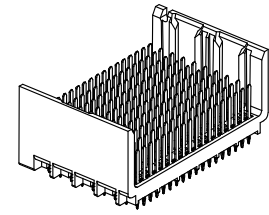
LEFT END  
WALL OPTION

MATERIAL NUMBER	# OF COLUMNS	# OF DIFF PAIR	DIM 'A'	DIM 'B'	RIGHT END WALL OPTION
76145-*13*	10	60	20.3	17.10	
76145-*73*	14	84	27.9	24.70	
76145-*63*	16	96	31.7	28.50	



RIGHT END  
WALL OPTION

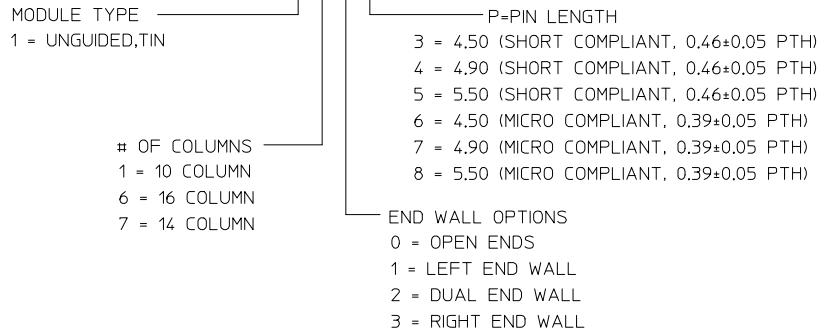
MATERIAL NUMBER	# OF COLUMNS	# OF DIFF PAIR	DIM 'A'	DIM 'B'	OPEN WALL OPTION
76145-*10*	10	60	18.9	17.10	
76145-*70*	14	84	26.5	24.70	
76145-*60*	16	96	30.3	28.50	



OPEN  
WALL OPTION

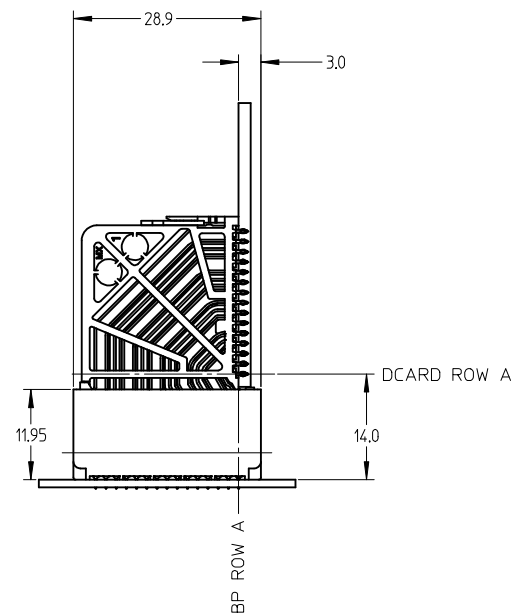
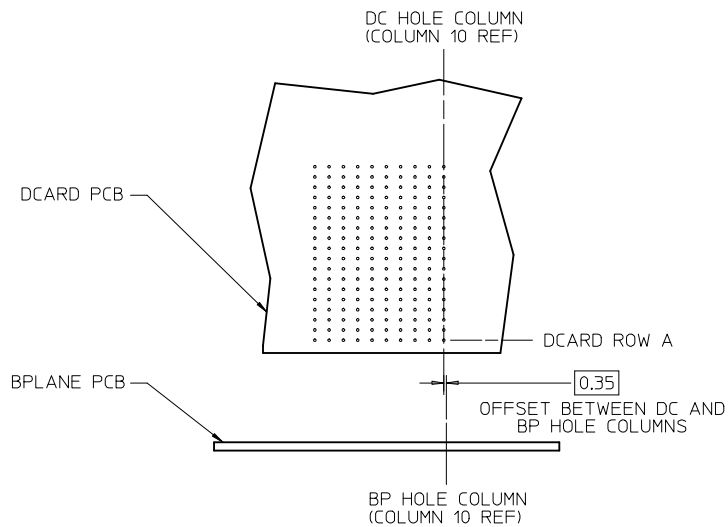
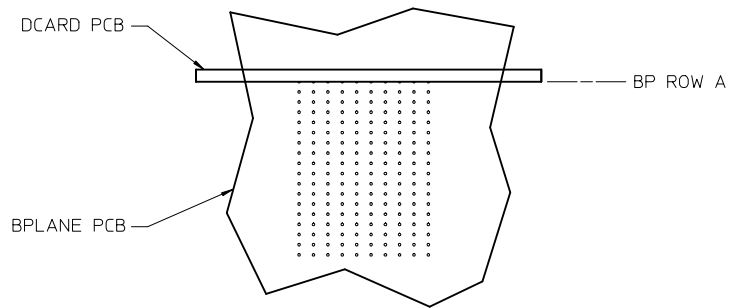
## PART NUMBER LOGIC

76145-\*\*\*\*



SEE SHEET 1 EC NO: UCP2014-0887 DRWN: B INGHAM 2013/08/25 CHKD: JLAURX 2013/08/25 APPR: JLAURX 2013/09/25	QUALITY SYMBOLS ▽=0 ▽=0 ▽=0	GENERAL TOLERANCES (UNLESS SPECIFIED)		DIMENSION STYLE MM ONLY		SCALE 2:1	DESIGN UNITS METRIC	THIRD ANGLE PROJECTION		
				DRAWN BY MSANDBERG	DATE 2007/12/26	TITLE IMPACT 6 PAIR HEADER UNGUIDED ASSEMBLY SALES DRAWING <b>molex</b>				
				CHECKED BY JLAURX	DATE 2007/12/26					
				APPROVED BY JLAURX	DATE 2010/02/22					
		ANGULAR ±1/2°		MATERIAL NO. SEE TABLE		DOCUMENT NO. SD-76145-001		SHEET NO. 2 OF 3		
DRAFT WHERE APPLICABLE MUST REMAIN WITHIN DIMENSIONS				SIZE C		THIS DRAWING CONTAINS INFORMATION THAT IS PROPRIETARY TO MOLEX INCORPORATED AND SHOULD NOT BE USED WITHOUT WRITTEN PERMISSION				

# IMPACT 6 PAIR BOARD RELATIONSHIPS



SEE SHEET 1 EC NO: UCP2014-0887 DRWN: BINGHAM 2013/08/25 CHKD: LAURX 2013/08/25 APPR: LAURX 2013/09/25	QUALITY SYMBOLS	GENERAL TOLERANCES (UNLESS SPECIFIED)	DIMENSION STYLE <b>MM ONLY</b>	SCALE <b>2:1</b>	DESIGN UNITS <b>METRIC</b>	THIRD ANGLE PROJECTION
	▽=0	mm INCH	DRAWN BY DATE MSANDBERG 2007/12/26	TITLE <b>IMPACT 6 PAIR HEADER UNGUIDED ASSEMBLY SALES DRAWING</b>		
	▽=0	4 PLACES ± --- ± ---	CHECKED BY DATE JLAURX 2007/12/26	<b>molex</b>		
	▽=0	3 PLACES ± --- ± ---	APPROVED BY DATE JLAURX 2010/02/22			
REV	2 PLACES ± 0.13 ± ---	ANGULAR ±1/2°	MATERIAL NO.	DOCUMENT NO.	SHEET NO.	
G1	1 PLACE ± 0.25 ± ---	DRAFT WHERE APPLICABLE MUST REMAIN WITHIN DIMENSIONS	SEE TABLE	SD-76145-001	3 OF 3	
	0 PLACE ± ±		SIZE C	THIS DRAWING CONTAINS INFORMATION THAT IS PROPRIETARY TO MOLEX INCORPORATED AND SHOULD NOT BE USED WITHOUT WRITTEN PERMISSION		