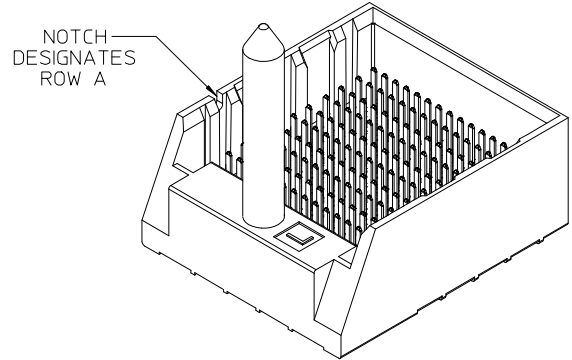
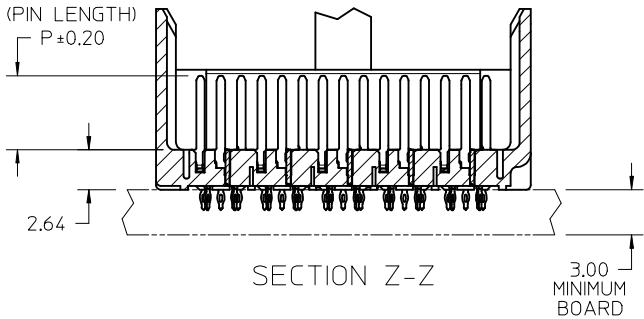


BACKPLANE HOLE PATTERN  
(CONNECTOR SIDE)



ENDWALL VERSION SHOWN

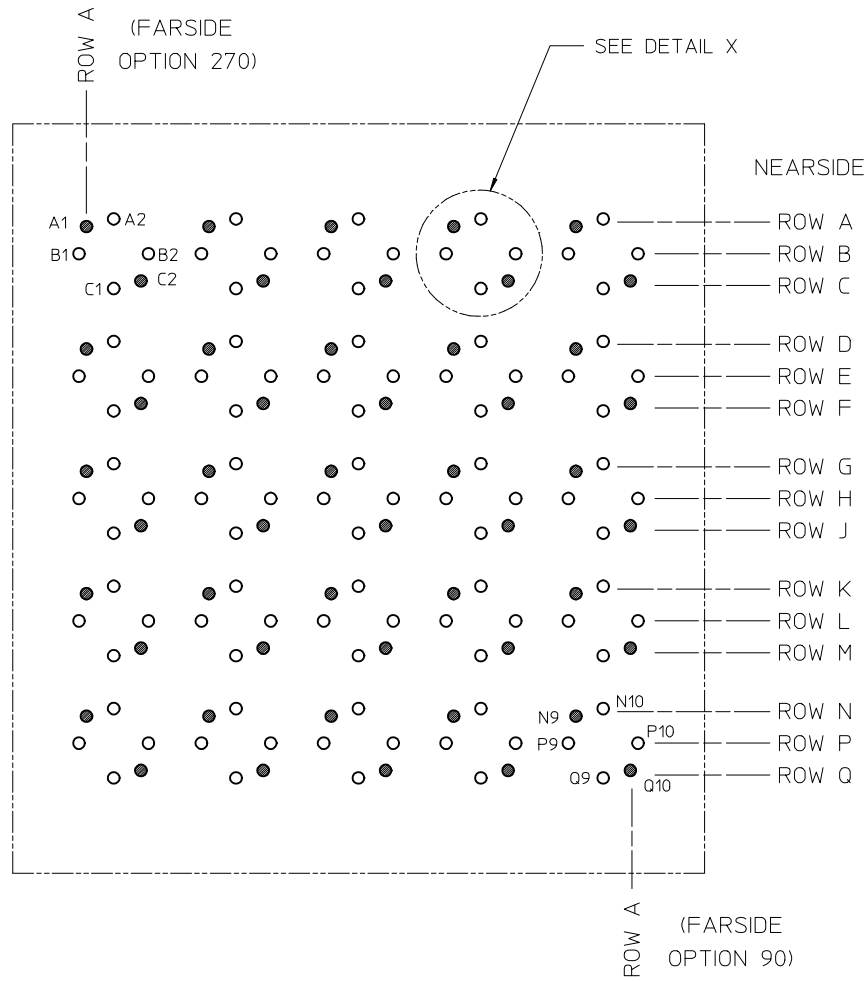
- NOTES:
1. MATERIALS: HOUSING - LIQUID CRYSTAL POLYMER (LCP)  
GLASS-FILLED, UL94V-0  
TERMINALS - HIGH PERFORMANCE COPPER ALLOY
  2. FINISH: 30μ MIN GOLD IN CONTACT AREA.  
SELECTIVE MATTE TIN OR (LEAD-FREE) ON PCB TAILS.  
NICKEL OVERALL.
  3. REFER TO MOLEX PRODUCT SPECIFICATION PS-76060-999  
FOR PERFORMANCE SPECIFICATIONS AND ADDITIONAL PCB INFORMATION.
  4. THIS PART CONFORMS TO CLASS B REQUIREMENTS OF  
COSMETIC SPEC PS-45499-002.
  5. PRODUCT IS PACKAGED PER PK-70873-765.
  6. SEE SHEETS 2 THRU 4 FOR PART NUMBERS AND ORTHOGONAL PIN MAPPING.
  7. REFER TO MOLEX SALES DRAWING SD-76990-002 FOR THE MATING RECEPTACLES.
  8. REFER TO MOLEX ROUTING GUIDE AS-76850-990 FOR ADDITIONAL PCB LAYOUT  
AND ROUTING RECOMMENDATIONS.
  9. THE KEEP-OUT ZONE FOR THE PART LENGTH INCLUDES AN ADDITIONAL 1.0mm  
TO ACCOMMODATE FOR SPACE REQUIRED BY THE DAUGHTERCARD ASSEMBLY.
  10. CONNECTORS ARE SUPPLIED WITH A 2-56 UNC-2A CUSTOM SCREW.
  11. THESE DIMENSIONS REPRESENT THE AREA NEEDED TO ACCOMMODATE CONNECTOR  
INSERTION AND REPAIR ON THE PC BOARD. THIS DOES NOT REPRESENT  
THE ACTUAL PERIMETER OF THE CONNECTOR.

INITIAL RELEASE	EC NO:	DATE	DESCRIPTION	QUALITY SYMBOLS
UCP2014-2268	2013/03/05	DRWINARI ZV101	2013/11/22	▽=0
CHKD:TELO	2013/11/22	APPR:TELO	2013/12/04	▽=0
				▽=0

GENERAL TOLERANCES (UNLESS SPECIFIED)	
mm	INCH
4 PLACES ± ---	± ---
3 PLACES ± ---	± ---
2 PLACES ± 0.13	± ---
1 PLACE ± 0.25	± ---
0 PLACE ±	±
ANGULAR ±1/2°	
DRAFT WHERE APPLICABLE MUST REMAIN WITHIN DIMENSIONS	

DIMENSION STYLE	
MM ONLY	
DRAWN BY	DATE
ARIZV101	2013/03/05
CHECKED BY	DATE
JMENDOZA	2013/11/22
APPROVED BY	DATE
TELO	2013/12/04
MATERIAL NO.	
SEE CHART	
SIZE	
C	

SCALE	DESIGN UNITS	THIRD ANGLE PROJECTION
4:1	METRIC	☉
TITLE		
IMPACT 5 PAIR HEADER ORTHOGONAL ASSEMBLY GUIDE LEFT SALES DRAWING		
molex		
DOCUMENT NO.	SHEET NO.	
SD-171884-0002	1 OF 4	
THIS DRAWING CONTAINS INFORMATION THAT IS PROPRIETARY TO MOLEX INCORPORATED AND SHOULD NOT BE USED WITHOUT WRITTEN PERMISSION		



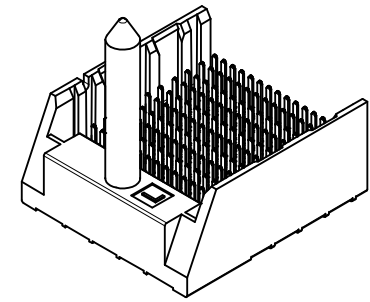
MATERIAL NUMBER	# OF COLUMNS	# OF DIFF PAIR	MODULE TYPE	DIM A	DIM B	DIM C
171884-*80*	8	40	NO ENDWALL	22.9	14.05	14.45
171884-*80*	8	40	WITH ENDWALL	24.3	14.05	14.45
171884-*10*	10	50	NO ENDWALL	27.0	18.10	18.50
171884-*10*	10	50	WITH ENDWALL	28.4	18.10	18.50
171884-*20*	12	60	NO ENDWALL	31.0	22.15	22.55
171884-*20*	12	60	WITH ENDWALL	32.4	22.15	22.55

171884-\*x\*0\*

MODULE & TAIL PLATING TYPE  
 3 = GUIDE LEFT NO ENDWALL, TIN  
 7 = GUIDE LEFT ENDWALL, TIN

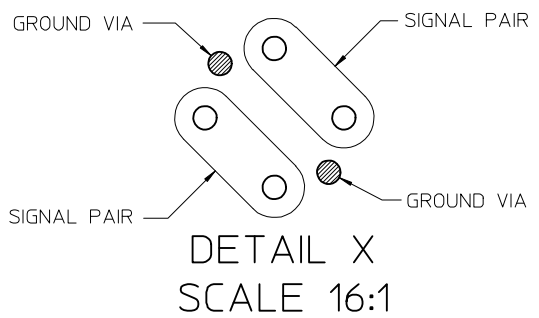
PIN LENGTH (P)  
 4 = 4.90 (0.46 PTH)  
 5 = 5.50 (0.46 PTH)  
 7 = 4.90 (0.39 PTH)  
 8 = 5.50 (0.39 PTH)

# OF COLUMNS  
 8 = 8 COLUMN  
 1 = 10 COLUMN  
 2 = 12 COLUMN



OPEN END OPTION

MIDPLANE PCB LAYOUT  
SCALE 8:1



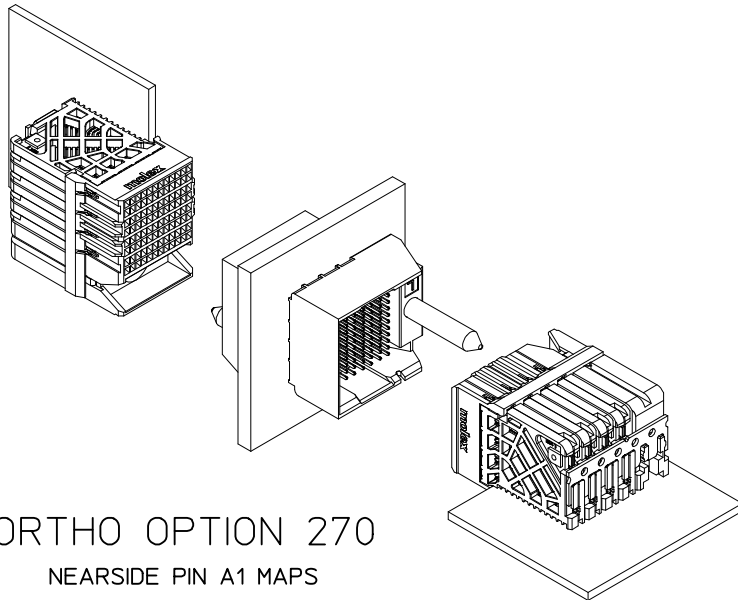
SEE SHEET 1 EC NO: UCP2014-2268 DRW:ARIZV101 CHKD:TELO APPR:TELO	REV DESCRIPTION	QUALITY SYMBOLS	GENERAL TOLERANCES (UNLESS SPECIFIED)		DIMENSION STYLE	SCALE	DESIGN UNITS	THIRD ANGLE PROJECTION	
		▽=0	mm	INCH	MM ONLY	3:1	METRIC	☉	
		▽=0	4 PLACES ± ---	± ---	DRAWN BY	DATE	TITLE		
		▽=0	3 PLACES ± ---	± ---	ARIZV101	2013/03/05	IMPACT 5 PAIR HEADER ORTHOGONAL ASSEMBLY GUIDE LEFT SALES DRAWING		
			2 PLACES ± 0.13	± ---	CHECKED BY	DATE	DOCUMENT NO. SD-171884-0002		
			1 PLACE ± 0.25	± ---	JMENDOZA	2013/11/22			
			0 PLACE ±	±	APPROVED BY	DATE	THIS DRAWING CONTAINS INFORMATION THAT IS PROPRIETARY TO MOLEX INCORPORATED AND SHOULD NOT BE USED WITHOUT WRITTEN PERMISSION		
					TELO	2013/12/04			
					MATERIAL NO. SEE CHART				
					DRAFT WHERE APPLICABLE MUST REMAIN WITHIN DIMENSIONS				

# ORTHO PIN MAPPING

## OPTION 270 (NEAR SIDE - FAR SIDE)

(A1-A1)	A2-B1	(A3-D1)	A4-E1	(A5-G1)	A6-H1	(A7-K1)	A8-L1	(A9-N1)	A10-P1
B1-A2	B2-C1	B3-D2	B4-F1	B5-G2	B6-J1	B7-K2	B8-M1	B9-N2	B10-O1
C1-B2	(C2-C2)	C3-E2	(C4-F2)	C5-H2	(C6-J2)	C7-L2	(C8-M2)	C9-P2	(C10-Q2)
(D1-A3)	D2-B3	(D3-D3)	D4-E3	(D5-G3)	D6-H3	(D7-K3)	D8-L3	(D9-N3)	D10-P3
E1-A4	E2-C3	E3-D4	E4-F3	E5-G4	E6-J3	E7-K4	E8-M3	E9-N4	E10-Q3
F1-B4	(F2-C4)	F3-E4	(F4-F4)	F5-H4	(F6-J4)	F7-L4	(F8-M4)	F9-P4	(F10-Q4)
(G1-A5)	G2-B5	(G3-D5)	G4-E5	(G5-G5)	G6-H5	(G7-K5)	G8-L5	(G9-N5)	G10-P5
H1-A6	H2-C5	H3-D6	H4-F5	H5-G6	H6-J5	H7-K6	H8-M5	H9-N6	H10-Q5
J1-B6	(J2-C6)	J3-E6	(J4-F6)	J5-H6	(J6-J6)	J7-L6	(J8-M6)	J9-P6	(J10-Q6)
(K1-A7)	K2-B7	(K3-D7)	K4-E7	(K5-G7)	K6-H7	(K7-K7)	K8-L7	(K9-N7)	K10-P7
L1-A8	L2-C7	L3-D8	L4-F7	L5-G8	L6-J7	L7-K8	L8-M7	L9-N8	L10-Q7
M1-B8	(M2-C8)	M3-E8	(M4-F8)	M5-H8	(M6-J8)	M7-L8	(M8-M8)	M9-P8	(M10-Q8)
(N1-A9)	N2-B9	(N3-D9)	N4-E9	(N5-G9)	N6-H9	(N7-K9)	N8-L9	(N9-N9)	N10-P9
P1-A10	P2-C9	P3-D10	P4-F9	P5-G10	P6-J9	P7-K10	P8-M9	P9-N10	P10-Q9
Q1-B10	(Q2-C10)	Q3-E10	(Q4-F10)	Q5-H10	(Q6-J10)	Q7-L10	(Q8-M10)	Q9-P10	(Q10-Q10)

NOTE: PINOUTS SHOWN IN BALLOONS ARE GROUNDS.  
PINOUTS SHOWN ARE FOR SQUARE (10 COLUMN) PATTERN ONLY.



## ORTHO OPTION 270

NEAR SIDE PIN A1 MAPS  
TO FAR SIDE PIN A1

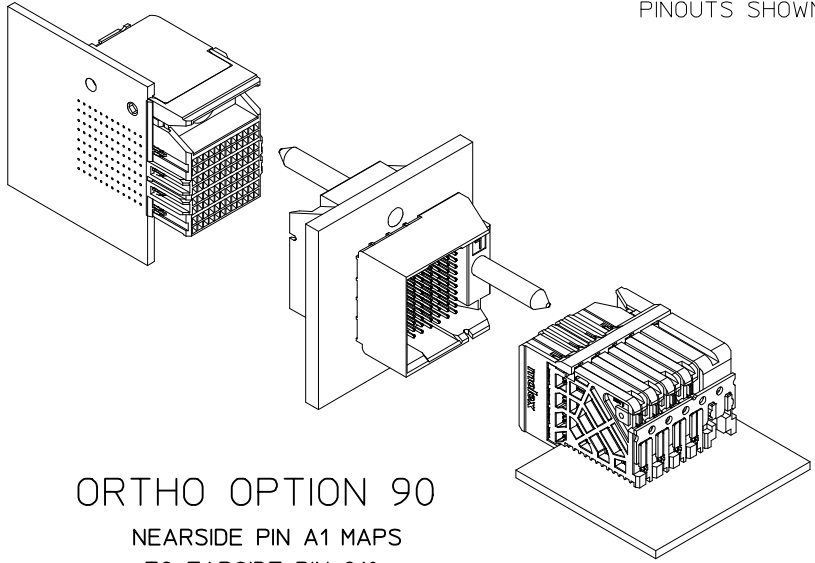
SEE SHEET 1 EC NO: UCP2014-2268 DRWN: ARIZV101 CHKD: TELO APPR: TELO	2013/03/05 2013/11/22 2013/12/04	DESCRIPTION REV A	QUALITY SYMBOLS ▽=0 ▽=0 ▽=0	GENERAL TOLERANCES (UNLESS SPECIFIED)		DIMENSION STYLE <b>MM ONLY</b>		SCALE <b>8:1</b>	DESIGN UNITS <b>METRIC</b>	THIRD ANGLE PROJECTION
				mm	INCH	DRAWN BY ARIZV101	DATE 2013/03/05	TITLE <b>IMPACT 5 PAIR HEADER ORTHOGONAL ASSEMBLY GUIDE LEFT SALES DRAWING</b>  <b>molex</b> DOCUMENT NO. <b>SD-171884-0002</b>		
				4 PLACES ± ---	± ---	CHECKED BY JMENDOZA	DATE 2013/11/22			
				3 PLACES ± ---	± ---	APPROVED BY TELO	DATE 2013/12/04			
2 PLACES ± 0.13	± ---	MATERIAL NO. <b>SEE CHART</b>								
1 PLACE ± 0.25	± ---	ANGULAR ±1/2°		SIZE C	THIS DRAWING CONTAINS INFORMATION THAT IS PROPRIETARY TO MOLEX INCORPORATED AND SHOULD NOT BE USED WITHOUT WRITTEN PERMISSION					
0 PLACE ±	±	DRAFT WHERE APPLICABLE MUST REMAIN WITHIN DIMENSIONS		SHEET NO. 3 OF 4						

# ORTHO PIN MAPPING

## OPTION 90 (NEARSIDE - FAR SIDE)

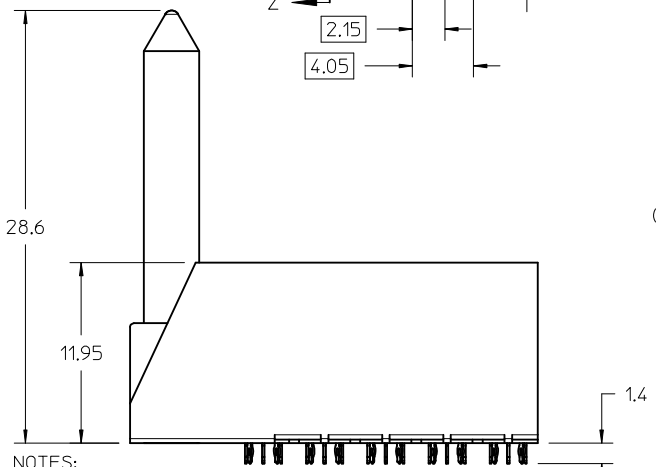
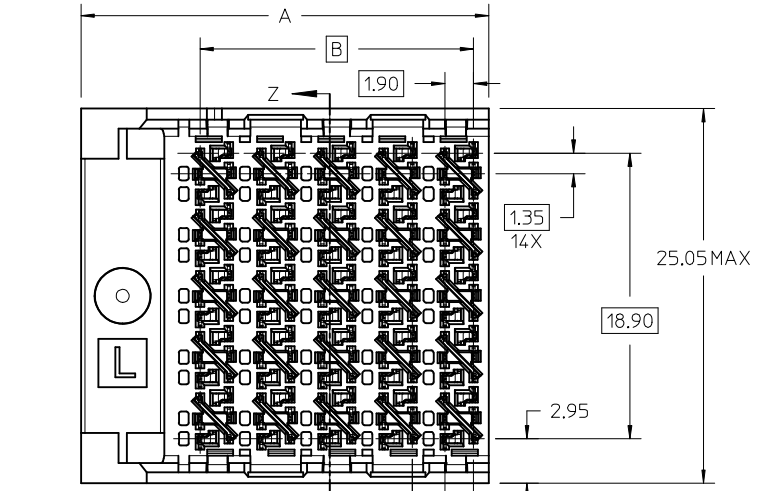
<b>(A1-Q10)</b>	A2-P10	<b>(A3-M10)</b>	A4-L10	<b>(A5-J10)</b>	A6-H10	<b>(A7-F10)</b>	A8-E10	<b>(A9-C10)</b>	A10-B10
B1-O9	B2-N10	B3-M9	B4-K10	B5-J9	B6-G10	B7-F9	B8-D10	B9-C9	B10-A10
C1-P9	<b>(C2-N9)</b>	C3-L9	<b>(C4-K9)</b>	C5-H9	<b>(C6-G9)</b>	C7-E9	<b>(C8-D9)</b>	C9-B9	<b>(C10-A9)</b>
<b>(D1-Q8)</b>	D2-P8	<b>(D3-M8)</b>	D4-L8	<b>(D5-J8)</b>	D6-H8	<b>(D7-F8)</b>	D8-E8	<b>(D9-C8)</b>	D10-B8
E1-O7	E2-N8	E3-M7	E4-K8	E5-J7	E6-G8	E7-F7	E8-D8	E9-C7	E10-A8
F1-P7	<b>(F2-N7)</b>	F3-L7	<b>(F4-K7)</b>	F5-H7	<b>(F6-G7)</b>	F7-E7	<b>(F8-D7)</b>	F9-B7	<b>(F10-A7)</b>
<b>(G1-Q6)</b>	G2-P6	<b>(G3-M6)</b>	G4-L6	<b>(G5-J6)</b>	G6-H6	<b>(G7-F6)</b>	G8-E6	<b>(G9-C6)</b>	G10-B6
H1-O5	H2-N6	H3-M5	H4-K6	H5-J5	H6-G6	H7-F5	H8-D6	H9-C5	H10-A6
J1-P5	<b>(J2-N5)</b>	J3-L5	<b>(J4-K5)</b>	J5-H5	<b>(J6-G5)</b>	J7-E5	<b>(J8-D5)</b>	J9-B5	<b>(J10-A5)</b>
<b>(K1-Q4)</b>	K2-P4	<b>(K3-M4)</b>	K4-L4	<b>(K5-J4)</b>	K6-H4	<b>(K7-F4)</b>	K8-E4	<b>(K9-C4)</b>	K10-B4
L1-O3	L2-N4	L3-M3	L4-K4	L5-J3	L6-G4	L7-F3	L8-D4	L9-C3	L10-A4
M1-P3	<b>(M2-N3)</b>	M3-L3	<b>(M4-K3)</b>	M5-H3	<b>(M6-G3)</b>	M7-E3	<b>(M8-D3)</b>	M9-B3	<b>(M10-A3)</b>
<b>(N1-Q2)</b>	N2-P2	<b>(N3-M2)</b>	N4-L2	<b>(N5-J2)</b>	N6-H2	<b>(N7-F2)</b>	N8-E2	<b>(N9-C2)</b>	N10-B2
P1-O1	P2-N2	P3-M1	P4-K2	P5-J1	P6-G2	P7-F1	P8-D2	P9-C1	P10-A2
Q1-P1	<b>(Q2-N1)</b>	Q3-L1	<b>(Q4-K1)</b>	Q5-H1	<b>(Q6-G1)</b>	Q7-E1	<b>(Q8-D1)</b>	Q9-B1	<b>(Q10-A1)</b>

NOTE: PINOUTS SHOWN IN BALLOONS ARE GROUNDS.  
PINOUTS SHOWN ARE FOR SQUARE (10 COLUMN) PATTERN ONLY.

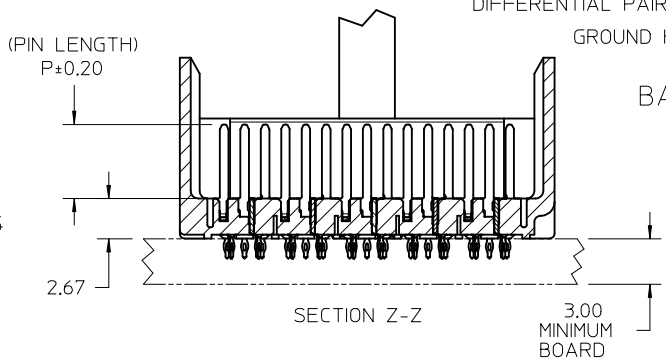
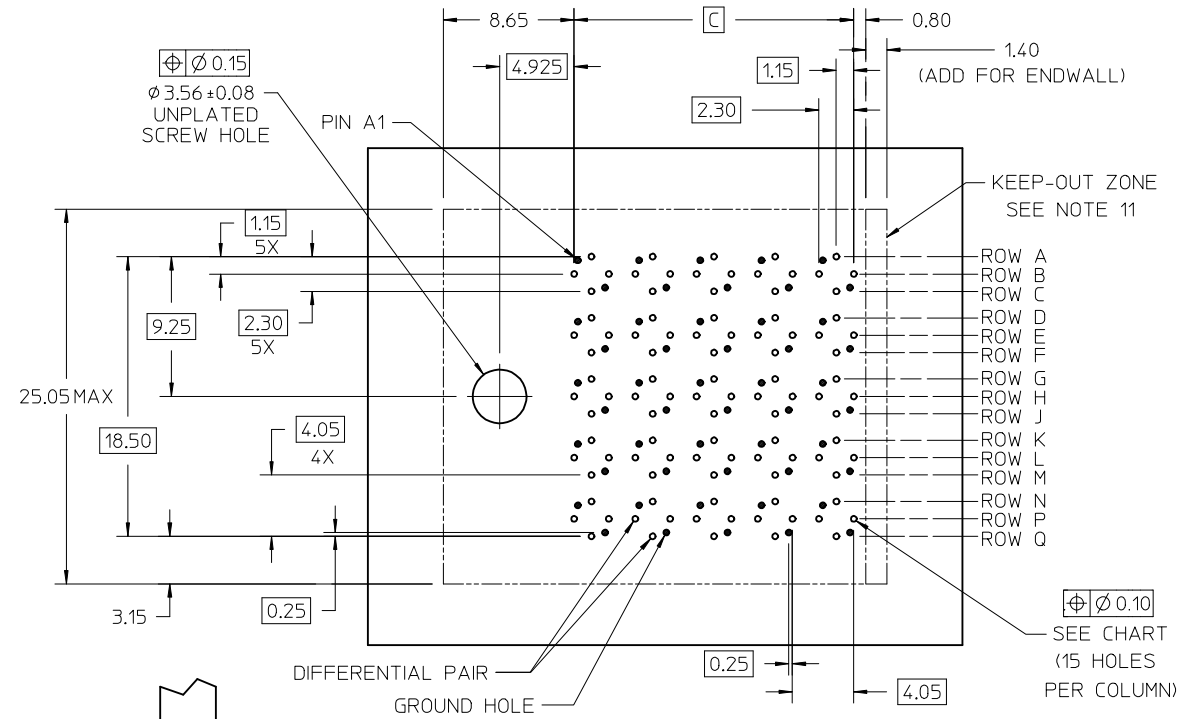


**ORTHO OPTION 90**  
NEARSIDE PIN A1 MAPS  
TO FAR SIDE PIN Q10  
(FOR SQUARE PATTERN)

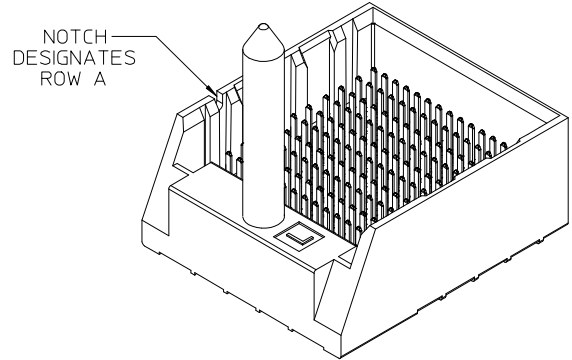
SEE SHEET 1 EC NO: UCP2014-2268 DRWN:ARIZV101 2013/03/05 CHKD:TELO 2013/11/22 APPR:TELO 2013/12/04	DESCRIPTION REV A	QUALITY SYMBOLS ▽=0 ▽=0 ▽=0	GENERAL TOLERANCES (UNLESS SPECIFIED)		DIMENSION STYLE <b>MM ONLY</b>		SCALE <b>4:1</b>	DESIGN UNITS <b>METRIC</b>	THIRD ANGLE PROJECTION			
			mm	INCH	DRAWN BY ARIZV101	DATE 2013/03/05	TITLE <b>IMPACT 5 PAIR HEADER ORTHOGONAL ASSEMBLY GUIDE LEFT SALES DRAWING</b>   DOCUMENT NO. <b>SD-171884-0002</b> SHEET NO. <b>4 OF 4</b>					
			4 PLACES ± ---	± ---	CHECKED BY JMENDOZA	DATE 2013/11/22						
			3 PLACES ± ---	± ---	APPROVED BY TELO	DATE 2013/12/04						
2 PLACES ± 0.13	± ---											
1 PLACE ± 0.25	± ---			ANGULAR ±1/2°		MATERIAL NO.						
0 PLACE ±	±			DRAFT WHERE APPLICABLE MUST REMAIN WITHIN DIMENSIONS		SEE CHART						



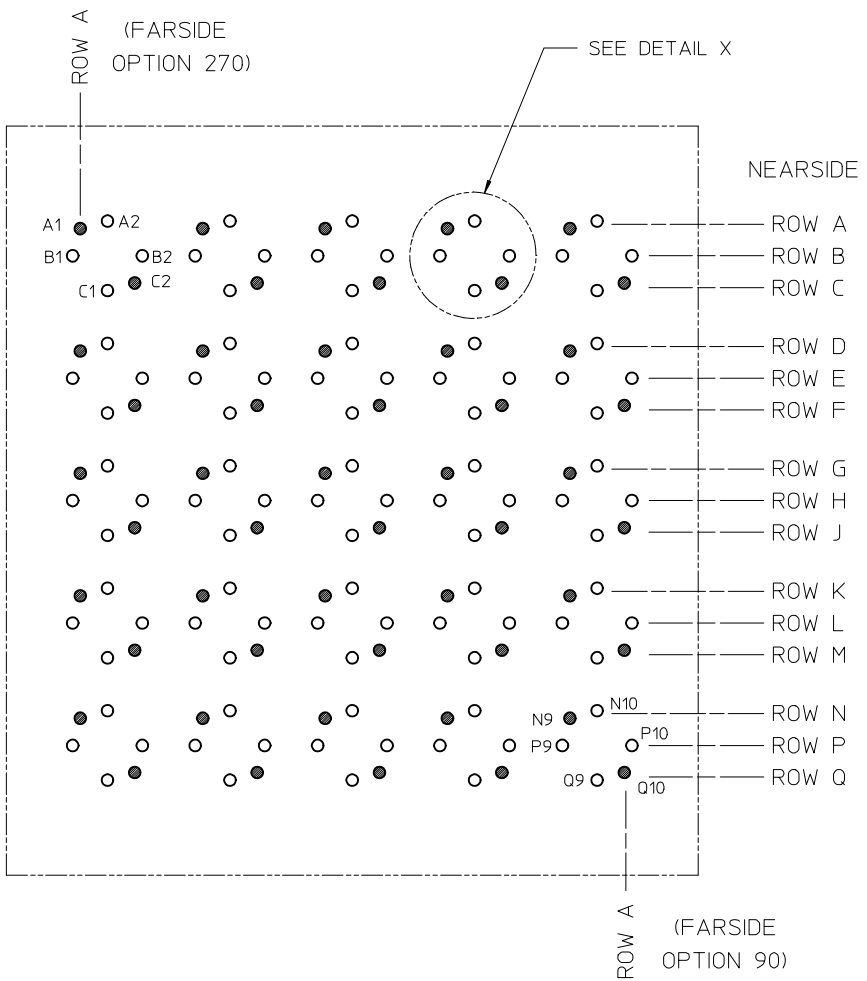
- NOTES:
1. MATERIALS: HOUSING - LIQUID CRYSTAL POLYMER (LCP)  
GLASS-FILLED, UL94V-0  
TERMINALS - HIGH PERFORMANCE COPPER ALLOY
  2. FINISH: 30μ MIN GOLD IN CONTACT AREA.  
SELECTIVE TIN OR TIN-LEAD ON PCB TAILS.  
NICKEL OVERALL.
  3. REFER TO MOLEX PRODUCT SPECIFICATION PS-76060-999  
FOR PERFORMANCE SPECIFICATIONS AND ADDITIONAL PCB INFORMATION.
  4. THIS PART CONFORMS TO CLASS B REQUIREMENTS OF  
COSMETIC SPEC PS-45499-002.
  5. PRODUCT IS PACKAGED PER PK-70873-765.
  6. SEE SHEETS 2 THRU 4 FOR PART NUMBERS AND ORTHOGONAL PIN MAPPING.
  7. REFER TO MOLEX SALES DRAWING SD-76990-002 FOR THE MATING RECEPTACLES.
  8. REFER TO MOLEX ROUTING GUIDE AS-76850-990 FOR ADDITIONAL PCB LAYOUT  
AND ROUTING RECOMMENDATIONS.
  9. THE KEEP-OUT ZONE FOR THE PART LENGTH INCLUDES AN ADDITIONAL 1.0mm  
TO ACCOMMODATE FOR SPACE REQUIRED BY THE DAUGHTERCARD ASSEMBLY.
  10. CONNECTORS ARE SUPPLIED WITH A 2-56 UNC-2A SCREW.
  11. THESE DIMENSIONS REPRESENT THE AREA NEEDED TO ACCOMODATE CONNECTOR  
INSERTION AND REPAIR ON THE PC BOARD. THIS DOES NOT REPRESENT  
THE ACTUAL PERIMETER OF THE CONNECTOR.



BACKPLANE HOLE PATTERN  
(CONNECTOR SIDE)



UPDATED VIEWS EC NO: UCP2014-2698 DR: WIRAZI V101 2013/04/02 CHKD: APPR: TELO 2015/03/24 REV:	QUALITY SYMBOLS	GENERAL TOLERANCES (UNLESS SPECIFIED)	DIMENSION STYLE MM ONLY	SCALE 4:1	DESIGN UNITS METRIC	THIRD ANGLE PROJECTION
	▽=0	4 PLACES ± --- ± ---	DRAWN BY JLAURX	DATE 4/28/09	<b>IMPACT 5 PAIR HEADER ORTHOGONAL ASSEMBLY GUIDE LEFT SALES DRAWING</b>  <b>molex</b> DOCUMENT NO. SD-76985-002 SHEET NO. 1 OF 4	
	▽=0	3 PLACES ± --- ± ---	CHECKED BY JMENDOZA	DATE 2010/01/13		
	▽=0	2 PLACES ± 0.13 ± ---	APPROVED BY JB INGHAM	DATE 2010/01/14		
▽=0	1 PLACE ± 0.25 ± ---	MATERIAL NO.				
		0 PLACE ± ±	SEE CHART			
		ANGULAR ± 1/2°	DRAFT WHERE APPLICABLE MUST REMAIN WITHIN DIMENSIONS			
			THIS DRAWING CONTAINS INFORMATION THAT IS PROPRIETARY TO MOLEX INCORPORATED AND SHOULD NOT BE USED WITHOUT WRITTEN PERMISSION			



MATERIAL NUMBER	# OF COLUMNS	# OF DIFF PAIR	MODULE TYPE	DIM A	DIM B	DIM C
76985-*80*	8	40	NO ENDWALL	22.9	14.05	14.45
76985-*80*	8	40	WITH ENDWALL	24.3	14.05	14.45
76985-*10*	10	50	NO ENDWALL	27.0	18.10	18.50
76985-*10*	10	50	WITH ENDWALL	28.4	18.10	18.50
76985-*20*	12	60	NO ENDWALL	31.0	22.15	22.55
76985-*20*	12	60	WITH ENDWALL	32.4	22.15	22.55

76985-\*x\*0\*

MODULE & TAIL PLATING TYPE \_\_\_\_\_ PIN LENGTH (P)

2 = GUIDE LEFT NO ENDWALL, TIN/LEAD      4 = 4.90 (0.46 PTH)

3 = GUIDE LEFT NO ENDWALL, TIN            5 = 5.50 (0.46 PTH)

6 = GUIDE LEFT ENDWALL, TIN/LEAD        7 = 4.90 (0.39 PTH)

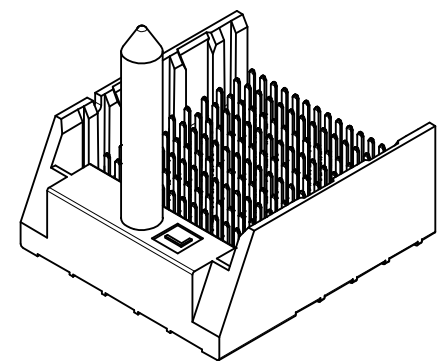
7 = GUIDE LEFT ENDWALL, TIN              8 = 5.50 (0.39 PTH)

# OF COLUMNS

8 = 8 COLUMN

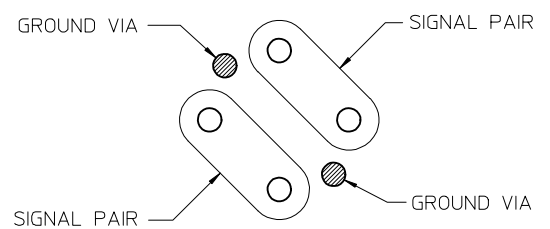
1 = 10 COLUMN

2 = 12 COLUMN



OPEN END OPTION

MIDPLANE PCB LAYOUT  
SCALE 8:1



DETAIL X  
SCALE 16:1

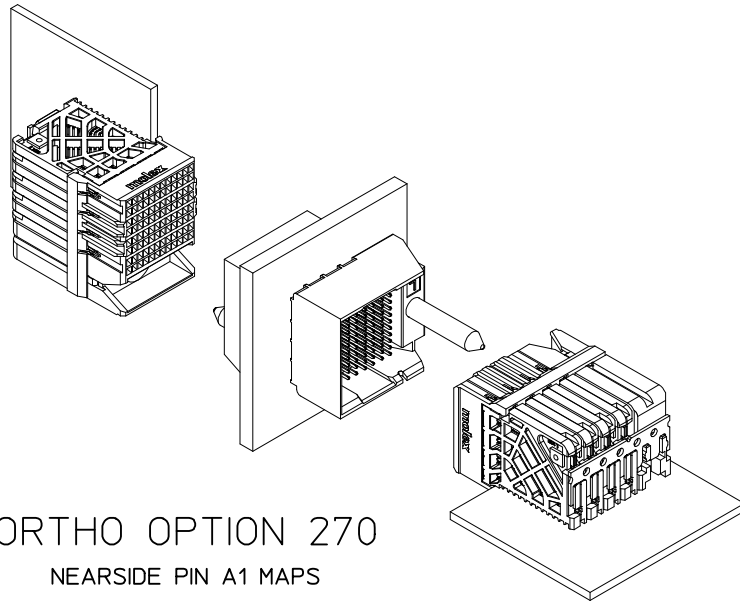
SEE SHEET 1 EC NO: UCP2014-2698 DRAWN: RIZV101 2013/04/02 CHKD: APPR: TELO 2015/03/24	QUALITY SYMBOLS	GENERAL TOLERANCES (UNLESS SPECIFIED)	DIMENSION STYLE MM ONLY	SCALE 3:1	DESIGN UNITS METRIC	THIRD ANGLE PROJECTION
	▽=0	4 PLACES ± --- ± ---	DRAWN BY DATE JLAURX 4/28/09	TITLE IMPACT 5 PAIR HEADER ORTHOGONAL ASSEMBLY GUIDE LEFT SALES DRAWING		SHEET NO. 2 OF 4
	▽=0	3 PLACES ± --- ± ---	CHECKED BY DATE JMENDOZA 2010/01/13	DOCUMENT NO. SD-76985-002		
	▽=0	2 PLACES ± 0.13 ± ---	APPROVED BY DATE JB INGHAM 2010/01/14			
▽=0	1 PLACE ± 0.25 ± ---	MATERIAL NO. SEE CHART				
		0 PLACE ± ±	SIZE C	THIS DRAWING CONTAINS INFORMATION THAT IS PROPRIETARY TO MOLEX INCORPORATED AND SHOULD NOT BE USED WITHOUT WRITTEN PERMISSION		
		ANGULAR ±1/2°	DRAFT WHERE APPLICABLE MUST REMAIN WITHIN DIMENSIONS			

# ORTHO PIN MAPPING

## OPTION 270 (NEARSIDE - FAR SIDE)

(A1-A1)	A2-B1	(A3-D1)	A4-E1	(A5-G1)	A6-H1	(A7-K1)	A8-L1	(A9-N1)	A10-P1
B1-A2	B2-C1	B3-D2	B4-F1	B5-G2	B6-J1	B7-K2	B8-M1	B9-N2	B10-O1
C1-B2	(C2-C2)	C3-E2	(C4-F2)	C5-H2	(C6-J2)	C7-L2	(C8-M2)	C9-P2	(C10-Q2)
(D1-A3)	D2-B3	(D3-D3)	D4-E3	(D5-G3)	D6-H3	(D7-K3)	D8-L3	(D9-N3)	D10-P3
E1-A4	E2-C3	E3-D4	E4-F3	E5-G4	E6-J3	E7-K4	E8-M3	E9-N4	E10-Q3
F1-B4	(F2-C4)	F3-E4	(F4-F4)	F5-H4	(F6-J4)	F7-L4	(F8-M4)	F9-P4	(F10-Q4)
(G1-A5)	G2-B5	(G3-D5)	G4-E5	(G5-G5)	G6-H5	(G7-K5)	G8-L5	(G9-N5)	G10-P5
H1-A6	H2-C5	H3-D6	H4-F5	H5-G6	H6-J5	H7-K6	H8-M5	H9-N6	H10-Q5
J1-B6	(J2-C6)	J3-E6	(J4-F6)	J5-H6	(J6-J6)	J7-L6	(J8-M6)	J9-P6	(J10-Q6)
(K1-A7)	K2-B7	(K3-D7)	K4-E7	(K5-G7)	K6-H7	(K7-K7)	K8-L7	(K9-N7)	K10-P7
L1-A8	L2-C7	L3-D8	L4-F7	L5-G8	L6-J7	L7-K8	L8-M7	L9-N8	L10-Q7
M1-B8	(M2-C8)	M3-E8	(M4-F8)	M5-H8	(M6-J8)	M7-L8	(M8-M8)	M9-P8	(M10-Q8)
(N1-A9)	N2-B9	(N3-D9)	N4-E9	(N5-G9)	N6-H9	(N7-K9)	N8-L9	(N9-N9)	N10-P9
P1-A10	P2-C9	P3-D10	P4-F9	P5-G10	P6-J9	P7-K10	P8-M9	P9-N10	P10-Q9
Q1-B10	(Q2-C10)	Q3-E10	(Q4-F10)	Q5-H10	(Q6-J10)	Q7-L10	(Q8-M10)	Q9-P10	(Q10-Q10)

NOTE: PINOUTS SHOWN IN BALLOONS ARE GROUNDS.  
PINOUTS SHOWN ARE FOR SQUARE (10 COLUMN) PATTERN ONLY.



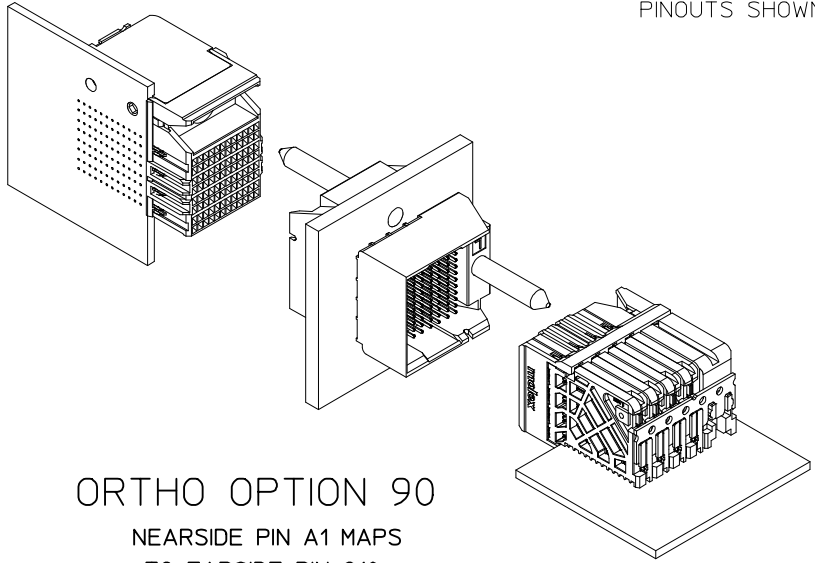
### ORTHO OPTION 270

NEARSIDE PIN A1 MAPS  
TO FAR SIDE PIN A1

SEE SHEET 1 EC NO: UCP2014-2698 DRW: ARIZ/01 2013/04/02 CHKD: APPR: TELO 2015/03/24	DESCRIPTION REV:	QUALITY SYMBOLS ▽=0 ▽=0 ▽=0	GENERAL TOLERANCES (UNLESS SPECIFIED)		DIMENSION STYLE <b>MM ONLY</b>	SCALE <b>8:1</b>	DESIGN UNITS <b>METRIC</b>	THIRD ANGLE PROJECTION			
		4 PLACES ± --- ± --- 3 PLACES ± --- ± --- 2 PLACES ± 0.13 ± --- 1 PLACE ± 0.25 ± --- 0 PLACE ± ±		mm INCH ± --- ± --- ± --- ± --- ± --- ± --- ± ±		DRAWN BY DATE JLAURX 4/28/09		CHECKED BY DATE JMENDOZA 2010/01/13		TITLE <b>IMPACT 5 PAIR HEADER                  ORTHOGONAL ASSEMBLY                  GUIDE LEFT SALES DRAWING</b>	
		ANGULAR ±1/2°		DRAFT WHERE APPLICABLE MUST REMAIN WITHIN DIMENSIONS		APPROVED BY DATE JB INGHAM 2010/01/14		<b>molex</b> DOCUMENT NO. <b>SD-76985-002</b>			
		MATERIAL NO.		SEE CHART		THIS DRAWING CONTAINS INFORMATION THAT IS PROPRIETARY TO MOLEX INCORPORATED AND SHOULD NOT BE USED WITHOUT WRITTEN PERMISSION					

ORTHO PIN MAPPING									
OPTION 90 (NEARSIDE - FAR SIDE)									
(A1-Q10)	A2-P10	(A3-M10)	A4-L10	(A5-J10)	A6-H10	(A7-F10)	A8-E10	(A9-C10)	A10-B10
B1-O9	B2-N10	B3-M9	B4-K10	B5-J9	B6-G10	B7-F9	B8-D10	B9-C9	B10-A10
C1-P9	(C2-N9)	C3-L9	(C4-K9)	C5-H9	(C6-G9)	C7-E9	(C8-D9)	C9-B9	(C10-A9)
(D1-Q8)	D2-P8	(D3-M8)	D4-L8	(D5-J8)	D6-H8	(D7-F8)	D8-E8	(D9-C8)	D10-B8
E1-O7	E2-N8	E3-M7	E4-K8	E5-J7	E6-G8	E7-F7	E8-D8	E9-C7	E10-A8
F1-P7	(F2-N7)	F3-L7	(F4-K7)	F5-H7	(F6-G7)	F7-E7	(F8-D7)	F9-B7	(F10-A7)
(G1-Q6)	G2-P6	(G3-M6)	G4-L6	(G5-J6)	G6-H6	(G7-F6)	G8-E6	(G9-C6)	G10-B6
H1-O5	H2-N6	H3-M5	H4-K6	H5-J5	H6-G6	H7-F5	H8-D6	H9-C5	H10-A6
J1-P5	(J2-N5)	J3-L5	(J4-K5)	J5-H5	(J6-G5)	J7-E5	(J8-D5)	J9-B5	(J10-A5)
(K1-Q4)	K2-P4	(K3-M4)	K4-L4	(K5-J4)	K6-H4	(K7-F4)	K8-E4	(K9-C4)	K10-B4
L1-O3	L2-N4	L3-M3	L4-K4	L5-J3	L6-G4	L7-F3	L8-D4	L9-C3	L10-A4
M1-P3	(M2-N3)	M3-L3	(M4-K3)	M5-H3	(M6-G3)	M7-E3	(M8-D3)	M9-B3	(M10-A3)
(N1-Q2)	N2-P2	(N3-M2)	N4-L2	(N5-J2)	N6-H2	(N7-F2)	N8-E2	(N9-C2)	N10-B2
P1-O1	P2-N2	P3-M1	P4-K2	P5-J1	P6-G2	P7-F1	P8-D2	P9-C1	P10-A2
Q1-P1	(Q2-N1)	Q3-L1	(Q4-K1)	Q5-H1	(Q6-G1)	Q7-E1	(Q8-D1)	Q9-B1	(Q10-A1)

NOTE: PINOUTS SHOWN IN BALLOONS ARE GROUNDS.  
 PINOUTS SHOWN ARE FOR SQUARE (10 COLUMN) PATTERN ONLY.



ORTHO OPTION 90  
 NEARSIDE PIN A1 MAPS  
 TO FAR SIDE PIN Q10  
 (FOR SQUARE PATTERN)

SEE SHEET 1 EC NO: UCP2014-2698 DRAWN: ARIZVI01 2013/04/02 CHKD: APPR: TEL0 2015/03/24 REV:	QUALITY SYMBOLS	GENERAL TOLERANCES (UNLESS SPECIFIED)		DIMENSION STYLE	SCALE	DESIGN UNITS	THIRD ANGLE PROJECTION
	▽=0	mm	INCH	MM ONLY	4:1	METRIC	
	▽=0	4 PLACES ± ---	± ---	DRAWN BY	DATE	TITLE	
	▽=0	3 PLACES ± ---	± ---	JLAURX	4/28/09	IMPACT 5 PAIR HEADER ORTHOGONAL ASSEMBLY GUIDE LEFT SALES DRAWING	
	▽=0	2 PLACES ± 0.13	± ---	CHECKED BY	DATE	molex	
	1 PLACE ± 0.25	± ---	JMENDOZA	2010/01/13	DOCUMENT NO.		
	0 PLACE ±	±	APPROVED BY	DATE	SD-76985-002		
			JB INGHAM	2010/01/14	SHEET NO.		
					4 OF 4		
					THIS DRAWING CONTAINS INFORMATION THAT IS PROPRIETARY TO MOLEX INCORPORATED AND SHOULD NOT BE USED WITHOUT WRITTEN PERMISSION		