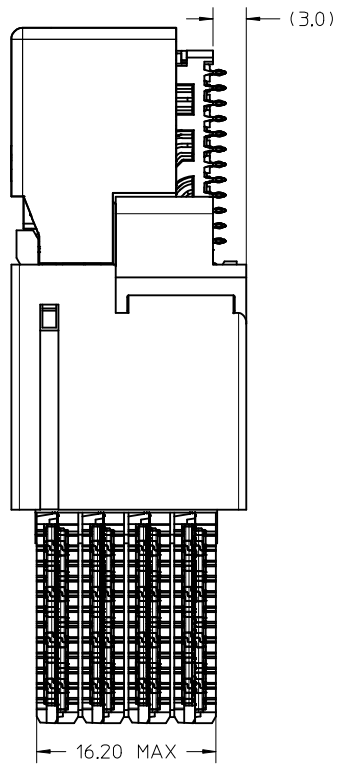
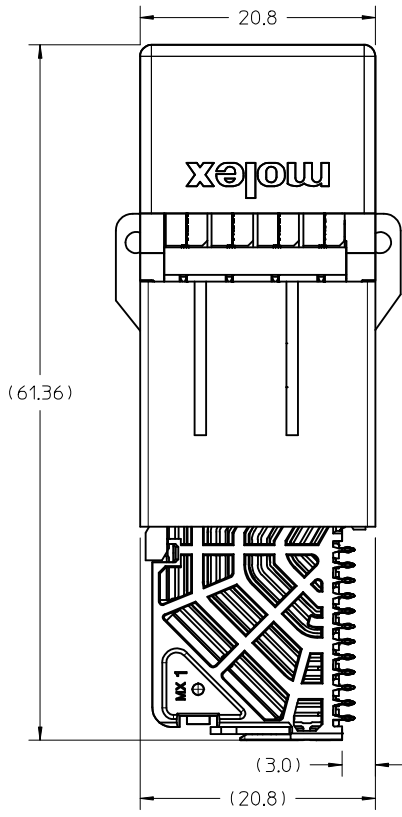


OD-RAM HOLE PATTERN
(CONNECTOR SIDE)

P/N TABLE MOVE EC NO: UCP2014-4310 DRWNB: MILLER 2014/04/11 CHKD: APPR: TELO 2014/04/21 REV: B1	QUALITY SYMBOLS ▽=0 ▽=0	GENERAL TOLERANCES (UNLESS SPECIFIED)		DIMENSION STYLE MM ONLY	SCALE 3:1	DESIGN UNITS METRIC	THIRD ANGLE PROJECTION		
		4 PLACES ± --- ± ---	3 PLACES ± --- ± ---	DRAWN BY JMENDOZA	DATE 2012/10/23	TITLE IMPACT ORTHOGONAL DIRECT 4 PAIR RAM 90 & 270 ASSY UNGUIDE SALES DRAWING			
		2 PLACES ± 0.13 ± ---	1 PLACE ± 0.25 ± ---	CHECKED BY TELO	DATE 2012/12/07	MOLEX INCORPORATED			
		ANGULAR ± 1/2°		APPROVED BY TELO	DATE 2013/12/26	MATERIAL NO. SEE CHART	DOCUMENT NO. SD-171574-0001	SHEET NO. 1 OF 4	
DRAFT WHERE APPLICABLE MUST REMAIN WITHIN DIMENSIONS				THIS DRAWING CONTAINS INFORMATION THAT IS PROPRIETARY TO MOLEX INCORPORATED AND SHOULD NOT BE USED WITHOUT WRITTEN PERMISSION					



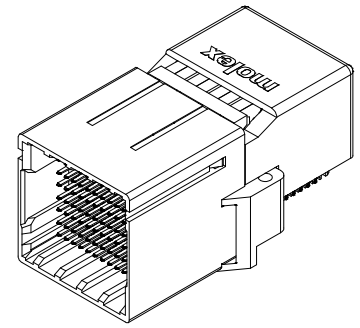
171574-18**

MODULE TYPE _____
 1 = UNGUIDED, TIN

OF COLUMNS _____
 8 = 8 COLUMN

PIN LENGTH (P)
 4 = 4.90 (0.46 PTH)
 5 = 5.50 (0.46 PTH)
 7 = 4.90 (0.39 PTH)
 8 = 5.50 (0.39 PTH)

MATE POSITION
 1 = 90 DEGREE
 3 = 270 DEGREE



MATED DIMENSIONS
 (POSITION 90° SHOWN)

- NOTES:
1. MATERIALS: HOUSING - LIQUID CRYSTAL POLYMER (LCP)
 GLASS-FILLED, UL94V-0
 TERMINALS - HIGH PERFORMANCE COPPER ALLOY
 2. FINISH: 30μ MIN GOLD IN CONTACT AREA.
 SELECTIVE TIN ON PCB TAILS,
 NICKEL OVERALL.
 3. REFER TO MOLEX PRODUCT SPECIFICATION PS-76060-999
 FOR PERFORMANCE SPECIFICATIONS AND ADDITIONAL PCB INFORMATION.
 4. THIS PART CONFORMS TO CLASS B REQUIREMENTS OF
 COSMETIC SPEC PS-45499-002.
 5. PACKAGE PER: PK-70873-8020.
 6. SEE SHEET 3 FOR ORTHOGONAL PIN MAPPING.
 7. REFER TO MOLEX SALES DRAWINGS SD-76850-002 AND SD-76850-004 FOR
 THE MATING RECEPTACLES.
 8. REFER TO MOLEX ROUTING GUIDE AS-76850-990 FOR ADDITIONAL PCB LAYOUT
 AND ROUTING RECOMMENDATIONS.
 9. CONNECTORS ARE SUPPLIED WITH TWO 2-32 THREAD FORMING
 SCREWS.
 10. THESE DIMENSIONS REPRESENT THE AREA NEEDED TO ACCOMODATE CONNECTOR
 INSERTION AND REPAIR ON THE PC BOARD. THIS IS REFERED TO AS THE
 "CONNECTOR KEEP OUT ZONE" AND DOES NOT REPRESENT THE ACTUAL PERIMETER
 OF THE CONNECTOR."

SEE SHEET 1	EC NO: UCP2014-4310	2014/04/11	2014/04/21	DESCRIPTION	QUALITY SYMBOLS
	DRW:BJMILLER				CHKD:
B1	REV				▽=0

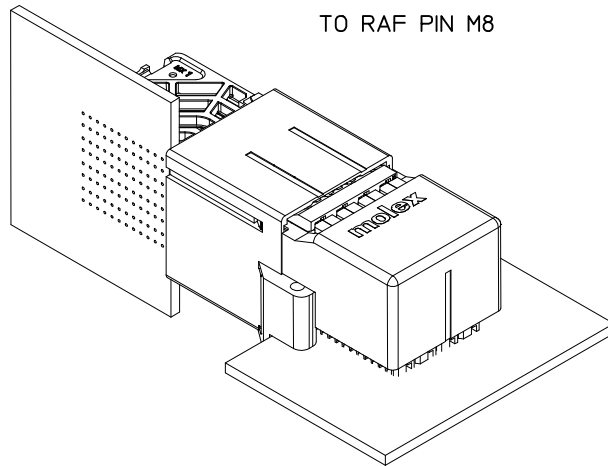
GENERAL TOLERANCES (UNLESS SPECIFIED)	
	mm INCH
4 PLACES	± .13 ± .005
3 PLACES	± .13 ± .005
2 PLACES	± 0.13 ± .005
1 PLACE	± 0.25 ± .010
ANGULAR ± 1/2°	
DRAFT WHERE APPLICABLE MUST REMAIN WITHIN DIMENSIONS	

DIMENSION STYLE	
MM ONLY	
DRAWN BY	DATE
JMENDOZA	2012/10/23
CHECKED BY	DATE
TELO	2012/12/07
APPROVED BY	DATE
TELO	2013/12/26
MATERIAL NO.	
SEE CHART	
SIZE C	

SCALE	DESIGN UNITS	THIRD ANGLE PROJECTION
3:1	METRIC	
TITLE		
IMPACT ORTHOGONAL DIRECT 4 PAIR RAM 90 & 270 ASSY UNGUIDE SALES DRAWING		
MOLEX MOLEX INCORPORATED		SHEET NO.
DOCUMENT NO.		2 OF 4
SD-171574-0001		
THIS DRAWING CONTAINS INFORMATION THAT IS PROPRIETARY TO MOLEX INCORPORATED AND SHOULD NOT BE USED WITHOUT WRITTEN PERMISSION		

ORTHO POSITION 90°

OD-RAM PIN A1 MAPS
TO RAF PIN M8

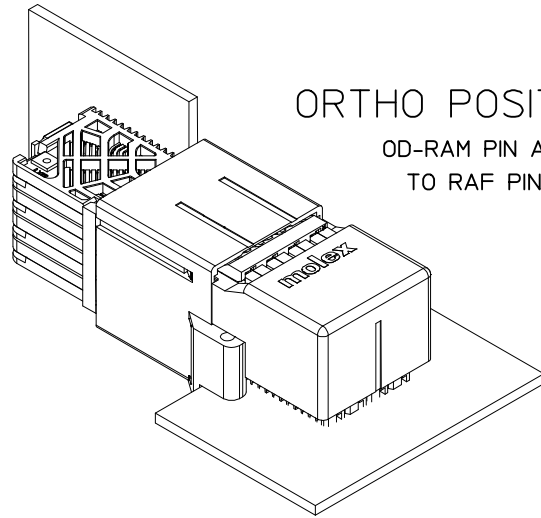


ORTHO PIN MAPPING							
POSITION 90° (OD RAM - RAF)							
(A1-M8)	A2-L8	(A3-J8)	A4-H8	(A5-F8)	A6-E8	(A7-C8)	A8-B8
B1-M7	B2-K8	B3-J7	B4-G8	B5-F7	B6-D8	B7-C7	B8-A8
C1-L7	(C2-K7)	C3-H7	(C4-G7)	C5-E7	(C6-D7)	C7-B7	(C8-A7)
(D1-M6)	D2-L6	(D3-J6)	D4-H6	(D5-F6)	D6-E6	(D7-C6)	D8-B6
E1-M5	E2-K6	E3-J5	E4-G6	E5-F5	E6-D6	E7-C5	E8-A6
F1-L5	(F2-K5)	F3-H5	(F4-G5)	F5-E5	(F6-D5)	F7-B5	(F8-A5)
(G1-M4)	G2-L4	(G3-J4)	G4-H4	(G5-F4)	G6-E4	(G7-C4)	G8-B4
H1-M3	H2-K4	H3-J3	H4-G4	H5-F3	H6-D4	H7-C3	H8-A4
J1-L3	(J2-K3)	J3-H3	(J4-G3)	J5-E3	(J6-D3)	J7-B3	(J8-A3)
(K1-M2)	K2-L2	(K3-J2)	K4-H2	(K5-F2)	K6-E2	(K7-C2)	K8-B2
L1-M1	L2-K2	L3-J1	L4-G2	L5-F1	L6-D2	L7-C1	L8-A2
M1-L1	(M2-K1)	M3-H1	(M4-G1)	M5-E1	(M6-D1)	M7-B1	(M8-A1)

NOTE: PINOUTS SHOWN IN BALLOONS ARE GROUNDS.
GROUND PATHS ARE NOT DISCRETE CIRCUITS.

MATERIAL NUMBER	# OF COLUMNS	# OF DIFF PAIR	MATE POSITION	DIM P	PTH ϕ
171574-1814	8	32	90	4.90	0.46±0.05
171574-1815	8	32	90	5.50	0.46±0.05
171574-1817	8	32	90	4.90	0.39±0.05
171574-1818	8	32	90	5.50	0.39±0.05

SEE SHEET 1 EC NO: UCP2014-4310 DRWN: B. MILLER 2014/04/11 CHKD: APPR: TELO 2014/04/21 REV: B1	QUALITY SYMBOLS ▽=0 ▽=0	GENERAL TOLERANCES (UNLESS SPECIFIED) <table border="1"> <tr> <th></th> <th>mm</th> <th>INCH</th> </tr> <tr> <td>4 PLACES</td> <td>± .005</td> <td>± .0005</td> </tr> <tr> <td>3 PLACES</td> <td>± .005</td> <td>± .0005</td> </tr> <tr> <td>2 PLACES</td> <td>± 0.13</td> <td>± .005</td> </tr> <tr> <td>1 PLACE</td> <td>± 0.25</td> <td>± .010</td> </tr> </table> ANGULAR ±1/2°		mm	INCH	4 PLACES	± .005	± .0005	3 PLACES	± .005	± .0005	2 PLACES	± 0.13	± .005	1 PLACE	± 0.25	± .010	DIMENSION STYLE MM ONLY DRAWN BY: JMENDOZA DATE: 2012/10/23 CHECKED BY: TELO DATE: 2012/12/07 APPROVED BY: TELO DATE: 2013/12/26	SCALE: 2:1 DESIGN UNITS: METRIC THIRD ANGLE PROJECTION	TITLE: IMPACT ORTHOGONAL DIRECT 4 PAIR RAM 90 & 270 ASSY UNGUIDE SALES DRAWING MOLEX MOLEX INCORPORATED	SHEET NO. 3 OF 4
		mm	INCH																		
	4 PLACES	± .005	± .0005																		
	3 PLACES	± .005	± .0005																		
2 PLACES	± 0.13	± .005																			
1 PLACE	± 0.25	± .010																			
DRAFT WHERE APPLICABLE MUST REMAIN WITHIN DIMENSIONS		MATERIAL NO. SEE CHART	DOCUMENT NO. SD-171574-0001	THIS DRAWING CONTAINS INFORMATION THAT IS PROPRIETARY TO MOLEX INCORPORATED AND SHOULD NOT BE USED WITHOUT WRITTEN PERMISSION																	



ORTHO POSITION 270°
OD-RAM PIN A1 MAPS
TO RAF PIN A1

ORTHO PIN MAPPING							
POSITION 270° (OD RAM - RAF)							
(A1-A1)	A2-B1	(A3-D1)	A4-E1	(A5-G1)	A6-H1	(A7-K1)	A8-L1
B1-A2	B2-C1	B3-D2	B4-F1	B5-G2	B6-J1	B7-K2	B8-M1
C1-B2	(C2-C2)	C3-E2	(C4-F2)	C5-H2	(C6-J2)	C7-L2	(C8-M2)
(D1-A3)	D2-B3	(D3-D3)	D4-E3	(D5-G3)	D6-H3	(D7-K3)	D8-L3
E1-A4	E2-C3	E3-D4	E4-F3	E5-G4	E6-J3	E7-K4	E8-M3
F1-B4	(F2-C4)	F3-E4	(F4-F4)	F5-H4	(F6-J4)	F7-L4	(F8-M4)
(G1-A5)	G2-B5	(G3-D5)	G4-E5	(G5-G5)	G6-H5	(G7-K5)	G8-L5
H1-A6	H2-C5	H3-D6	H4-F5	H5-G6	H6-J5	H7-K6	H8-M5
J1-B6	(J2-C6)	J3-E6	(J4-F6)	J5-H6	(J6-J6)	J7-L6	(J8-M6)
(K1-A7)	K2-B7	(K3-D7)	K4-E7	(K5-G7)	K6-H7	(K7-K7)	K8-L7
L1-A8	L2-C7	L3-D8	L4-F7	L5-G8	L6-J7	L7-K8	L8-M7
M1-B8	(M2-C8)	M3-E8	(M4-F8)	M5-H8	(M6-J8)	M7-L8	(M8-M8)

NOTE: PINOUTS SHOWN IN BALLOONS ARE GROUNDS.
GROUND PATHS ARE NOT DISCRETE CIRCUITS.

MATERIAL NUMBER	# OF COLUMNS	# OF DIFF PAIR	MATE POSITION	DIM P	PTH ϕ
171574-1834	8	32	270	4.90	0.46±0.05
171574-1835	8	32	270	5.50	0.46±0.05
171574-1837	8	32	270	4.90	0.39±0.05
171574-1838	8	32	270	5.50	0.39±0.05

SEE SHEET 1 EC NO: UCP2014-4310 DRWN: B. MILLER 2014/04/11 CHKD: APPR: TELO 2014/04/21	QUALITY SYMBOLS ▽=0 ▽=0 ▽=0	GENERAL TOLERANCES (UNLESS SPECIFIED)		DIMENSION STYLE MM ONLY		SCALE 2:1	DESIGN UNITS METRIC	THIRD ANGLE PROJECTION	
				DRAWN BY JMENDOZA		DATE 2012/10/23		TITLE IMPACT ORTHOGONAL DIRECT 4 PAIR RAM 90 & 270 ASSY UNGUIDE SALES DRAWING	
				CHECKED BY TELO		DATE 2012/12/07			
				APPROVED BY TELO		DATE 2013/12/26		molex MATERIAL NO. _____ DOCUMENT NO. SD-171574-0001 SHEET NO. 4 OF 4	
		ANGULAR $\pm 1/2^\circ$		DRAFT WHERE APPLICABLE MUST REMAIN WITHIN DIMENSIONS		THIS DRAWING CONTAINS INFORMATION THAT IS PROPRIETARY TO MOLEX INCORPORATED AND SHOULD NOT BE USED WITHOUT WRITTEN PERMISSION			