

10 9 8 7 6 5 4 3 2 1

F

F

E

E

D

D

C

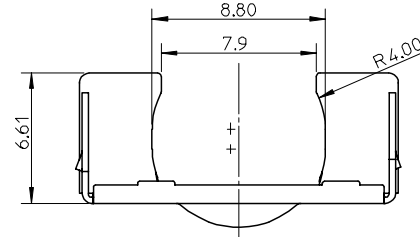
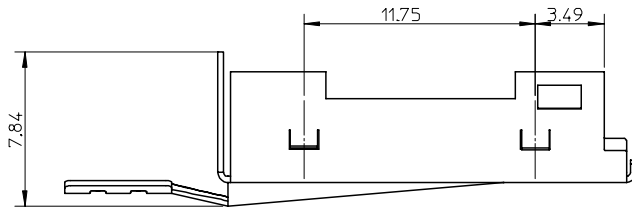
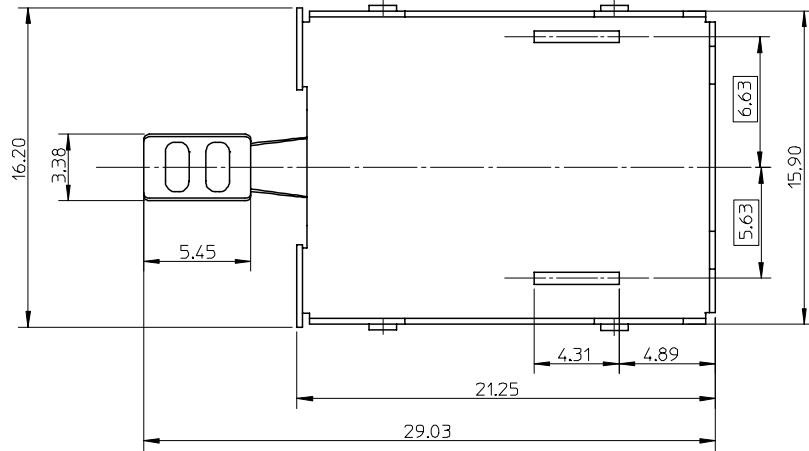
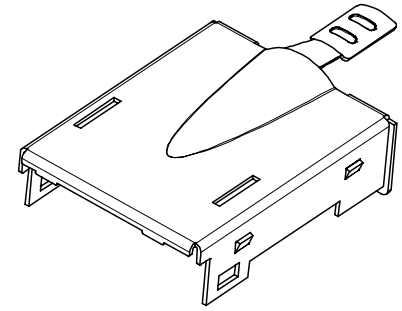
C

B

B

A

A



NOTES:

1. THIS PART IS WITH LATCHES TYPE
2. MATERIAL : 0.30MM THICKNESS COPPER ALLOY.
3. PLATING : NICKEL 2.0 MICROMETER MIN OVERALL.

NEW RELEASE	EC NO: SH2007-0705	2007/04/27
	DRWN:HHE	2007/04/30
	CHKD:	
	APPR: JNCHEN	2007/05/10
A	REV	DESCRIPTION

QUALITY SYMBOLS	$\nabla=0$
	$\nabla C=0$

GENERAL TOLERANCES (UNLESS SPECIFIED)	
	mm INCH
4 PLACES	\pm --- \pm ---
3 PLACES	\pm --- \pm ---
2 PLACES	± 0.15 \pm ---
1 PLACE	± 0.15 \pm ---
ANGULAR $\pm 2^\circ$	
DRAFT WHERE APPLICABLE MUST REMAIN WITHIN DIMENSIONS	

DIMENSION STYLE		SCALE	DESIGN UNITS	THIRD ANGLE PROJECTION
MM ONLY		4:1	METRIC	
DRAWN BY	DATE	TITLE		
QWFANG	2006/09/05	INNER-SHELL-UPPER FOR DISPLAYPORT		
CHECKED BY	DATE			
IWANG	2006/09/05	MOLEX INCORPORATED		
APPROVED BY	DATE			
JNCHEN	2006/09/05	MATERIAL NO. 47271-1008		
MATERIAL NO.				
SIZE A3		DOCUMENT NO. SD-47271-008	SHEET NO. 1 OF 2	

MOLEX INCORPORATED	
THIS DRAWING CONTAINS INFORMATION THAT IS PROPRIETARY TO MOLEX INCORPORATED AND SHOULD NOT BE USED WITHOUT WRITTEN PERMISSION	

9 8 7 6 5 4 3 2 1

10 9 8 7 6 5 4 3 2 1

F

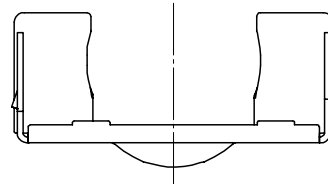
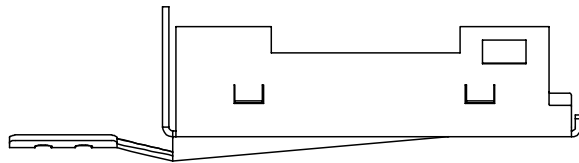
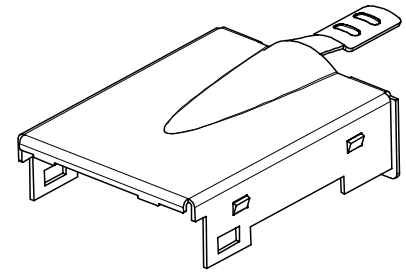
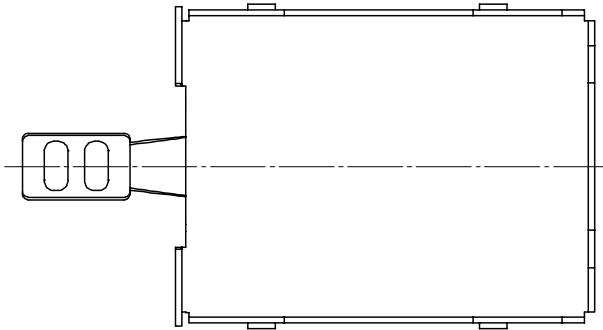
E

D

C

B

A



NOTES:
THIS PART IS WITHOUT LATCHES TYPE.
UNSPECIFIED DIMENSIONS ARE SAME AS SHEET 1.

SEE SHEET 1 EC NO: SH2007-0705 DRWN: HHE CHKD: APPR: JNCHEN 2007/04/27 2007/05/10	DESCRIPTION REV	QUALITY SYMBOLS ▽=0 ▽C=0	GENERAL TOLERANCES (UNLESS SPECIFIED)		DIMENSION STYLE MM ONLY		SCALE 4:1	DESIGN UNITS METRIC	THIRD ANGLE PROJECTION		
			4 PLACES ± --- ± --- 3 PLACES ± --- ± --- 2 PLACES ± 0.15 ± --- 1 PLACE ± 0.15 ± ---	mm INCH ± --- ± --- ± 0.15 ± --- ± 0.15 ± ---	DRAWN BY QWFANG	DATE 2006/09/05	TITLE INNER-SHELL-UPPER FOR DISPLAYPORT				
			ANGULAR ± 2 °	CHECKED BY IWANG	DATE 2006/09/05						
			DRAFT WHERE APPLICABLE MUST REMAIN WITHIN DIMENSIONS	APPROVED BY JNCHEN	DATE 2006/09/05	MATERIAL NO. 47271-3008		DOCUMENT NO. SD-47271-008		SHEET NO. 2 OF 2	
				SIZE A3		THIS DRAWING CONTAINS INFORMATION THAT IS PROPRIETARY TO MOLEX INCORPORATED AND SHOULD NOT BE USED WITHOUT WRITTEN PERMISSION					

9 8 7 6 5 4 3 2 1