

10 9 8 7 6 5 4 3 2 1

F

F

E

E

D

D

C

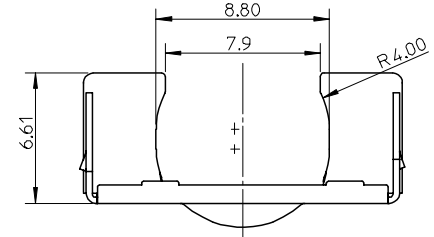
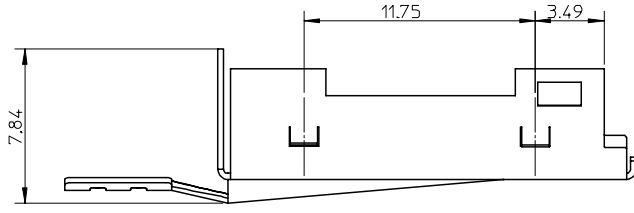
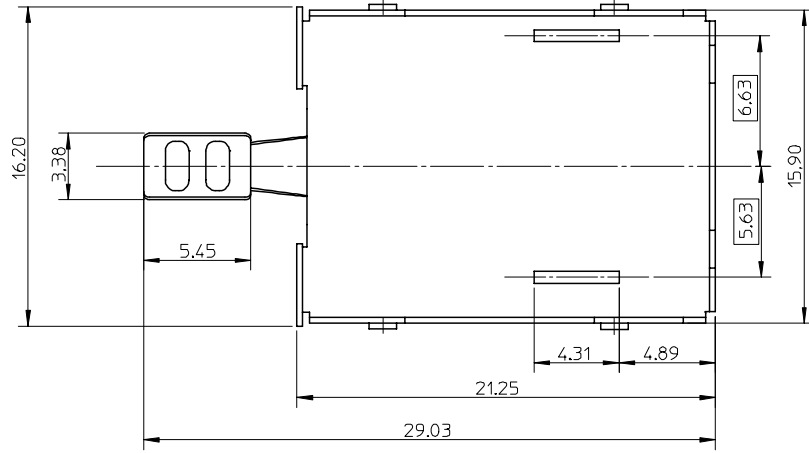
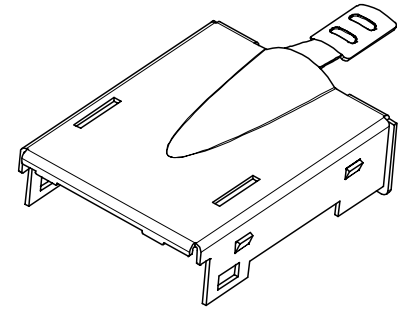
C

B

B

A

A



NOTES:

1. THIS PART IS WITH LATCHES TYPE
2. MATERIAL : 0.30MM THICKNESS COPPER ALLOY.
3. PLATING : NICKEL 2.0 MICROMETER MIN OVERALL.

NEW RELEASE EC NO: SH2007-0705 DRWN:HHE CHKD: APPR: JNCHEN	2007/04/27 2007/04/30	2007/05/10
	DESCRIPTION REV	QUALITY SYMBOLS ▽=0 ▽=0
	GENERAL TOLERANCES (UNLESS SPECIFIED)	
	DIMENSION STYLE MM ONLY	

4 PLACES	± ---	± ---
3 PLACES	± ---	± ---
2 PLACES	± 0.15	± ---
1 PLACE	± 0.15	± ---
ANGULAR ± 2 °		
DRAFT WHERE APPLICABLE MUST REMAIN WITHIN DIMENSIONS		

DRAWN BY	DATE
QWFANG	2006/09/05
CHECKED BY	DATE
IWANG	2006/09/05
APPROVED BY	DATE
JNCHEN	2006/09/05
MATERIAL NO.	47271-1008

SCALE	DESIGN UNITS	THIRD ANGLE PROJECTION
4:1	METRIC	
TITLE INNER-SHELL-UPPER FOR DISPLAYPORT		
MOLEX INCORPORATED		SHEET NO. 1 OF 2
DOCUMENT NO. SD-47271-008		THIS DRAWING CONTAINS INFORMATION THAT IS PROPRIETARY TO MOLEX INCORPORATED AND SHOULD NOT BE USED WITHOUT WRITTEN PERMISSION

9 8 7 6 5 4 3 2 1

10 9 8 7 6 5 4 3 2 1

F

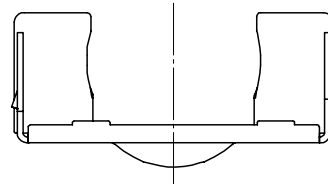
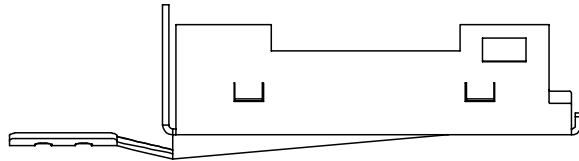
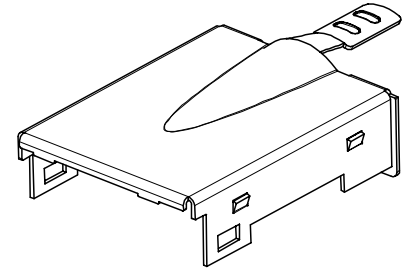
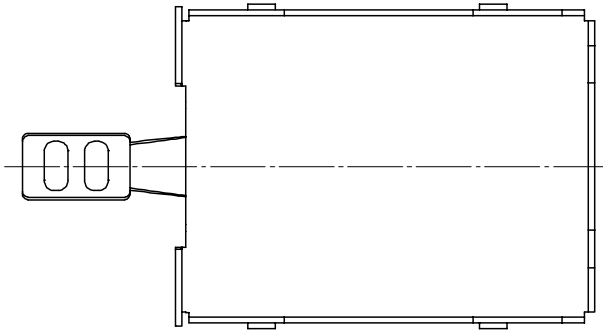
E

D

C

B

A



NOTES:  
THIS PART IS WITHOUT LATCHES TYPE.  
UNSPECIFIED DIMENSIONS ARE SAME AS SHEET 1.

SEE SHEET 1 EC NO: SH2007-0705 DRWN: HHE CHKD: APPR: JNCHEN 2007/04/27 2007/05/10	DESCRIPTION REV	QUALITY SYMBOLS ▽=0 ▽C=0	GENERAL TOLERANCES (UNLESS SPECIFIED)		DIMENSION STYLE MM ONLY		SCALE 4:1	DESIGN UNITS METRIC	THIRD ANGLE PROJECTION		
			4 PLACES ± --- ± --- 3 PLACES ± --- ± --- 2 PLACES ± 0.15 ± --- 1 PLACE ± 0.15 ± ---	mm INCH ± --- ± --- ± 0.15 ± --- ± 0.15 ± ---	DRAWN BY QWFANG	DATE 2006/09/05	TITLE INNER-SHELL-UPPER FOR DISPLAYPORT				
			ANGULAR ± 2 °	CHECKED BY IWANG	DATE 2006/09/05						
			DRAFT WHERE APPLICABLE MUST REMAIN WITHIN DIMENSIONS	APPROVED BY JNCHEN	DATE 2006/09/05	MATERIAL NO. 47271-3008		DOCUMENT NO. SD-47271-008		SHEET NO. 2 OF 2	
				SIZE A3		THIS DRAWING CONTAINS INFORMATION THAT IS PROPRIETARY TO MOLEX INCORPORATED AND SHOULD NOT BE USED WITHOUT WRITTEN PERMISSION					

9 8 7 6 5 4 3 2 1