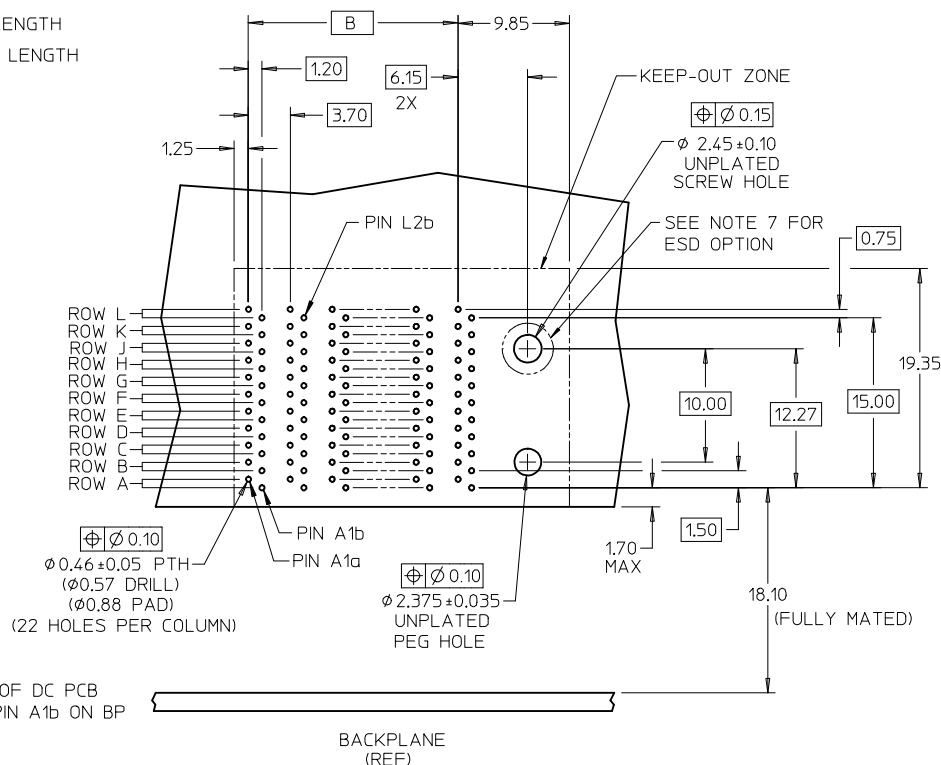
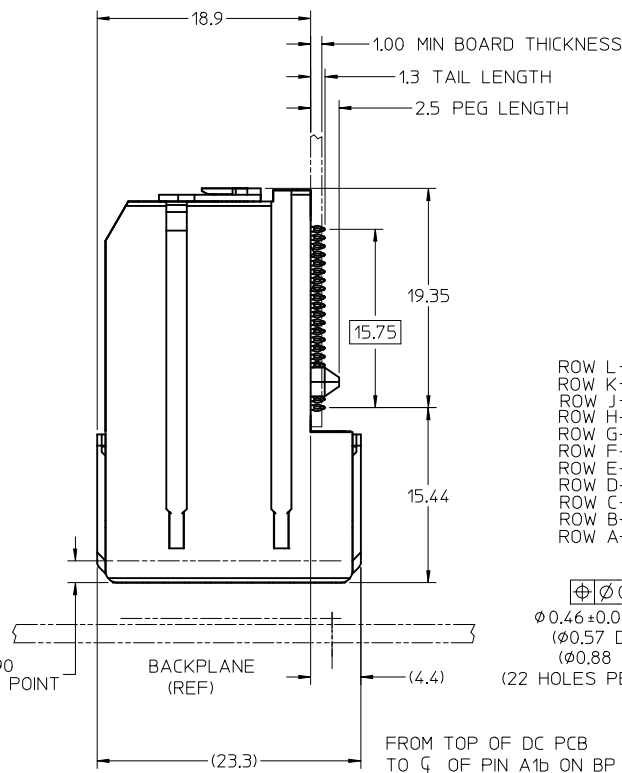


KEY SHOWN IN POSITION "A"



DAUGHTERCARD HOLE PATTERN
(CONNECTOR SIDE)

- NOTES:
1. MATERIALS: HOUSING - LIQUID CRYSTAL POLYMER (LCP) GLASS-FILLED, UL94V-0
TERMINALS - HIGH PERFORMANCE COPPER ALLOY
 2. FINISH: SELECTIVE GOLD IN CONTACT AREA.
SELECTIVE MATTE TIN ON PCB TAILS, NICKEL OVERALL.
 3. REFER TO MOLEX PRODUCT SPECIFICATION PS-75710-999 FOR PERFORMANCE SPECS.
 4. PRODUCT IS PACKAGED PER PK-70873-609.
 5. THIS PART CONFORMS TO CLASS B REQUIREMENTS OF COSMETIC SPEC PS-45499-002.
 6. GUIDED PARTS TO BE SHIPPED WITH 2-32 TYPE AB
SELF-TAPPING SCREW P/N 73726-0000.
 7. FOR GROUNDED GUIDE MODULES USE DIA 2.45+/-0.10 (PTH), DIA 2.58 (DRILL),
AND DIA 4.50 (PAD).
 8. MAPS (MOLEX ADVANCED PLATING SYSTEM).

LEAD FREE CONVERSION EC NO: UCP2013-4121 DRWNR:WHIPPLE 2013/04/01 CHKD:MMOLFE 2013/04/01 APPR:SMILLER 2013/07/15	QUALITY SYMBOLS	DESCRIPTION
	▽=0	
	▽=0	
	▽=0	
REV		

GENERAL TOLERANCES (UNLESS SPECIFIED)	
mm	INCH
4 PLACES ± ---	± ---
3 PLACES ± ---	± ---
2 PLACES ± 0.13	± ---
1 PLACE ± 0.25	± ---
0 PLACE ± ---	± ---
ANGULAR ±1/2°	
DRAFT WHERE APPLICABLE MUST REMAIN WITHIN DIMENSIONS	

DIMENSION STYLE MM ONLY	
DRAWN BY	DATE
MCARRANZA	2008/05/13
CHECKED BY	DATE
JLAURX	2008/05/13
APPROVED BY	DATE
JLAURX	2008/05/13
MATERIAL NO. SEE CHART	
SIZE	
THIS DRAWING CONTAINS INFORMATION THAT IS PROPRIETARY TO MOLEX INCORPORATED AND SHOULD NOT BE USED WITHOUT WRITTEN PERMISSION	

SCALE 3:1	DESIGN UNITS METRIC	THIRD ANGLE PROJECTION
TITLE I-TRAC NXT DAUGHTERCARD 11 ROW SIGNAL MODULE GUIDE RIGHT SALES DWG		
molex		
MATERIAL NO. SD-76680-004	DOCUMENT NO.	SHEET NO. 1 OF 2

MATERIAL NUMBER	# OF COLUMNS	DIM "A" MAX	DIM "B"
76680-***5	5	25.90	14.80
76680-***6	6	29.60	18.50
76680-***8	8	37.00	25.90
76680-***0	10	44.40	33.30

76680-****

MODULE TYPE -- TAIL PLATING TYPE

GUIDE RIGHT -- MATTE TIN (FORMERLY TIN/LEAD) = 4

GUIDE RIGHT -- MATTE TIN = 5

POLARIZATION KEY ORIENTATION

0 = NO KEY

1 = A 5 = E

2 = B 6 = F

3 = C 7 = G

4 = D 8 = H

OF COLUMNS/PLATING

05 = 5 COL 30 GOLD

06 = 6 COL 30 GOLD

08 = 8 COL 30 GOLD

10 = 10 COL 30 GOLD

55 = 5 COL W/ESD 30 GOLD

56 = 6 COL W/ESD 30 GOLD

58 = 8 COL W/ESD 30 GOLD

50 = 10 COL W/ESD 30 GOLD

25 = 5 COL 10 GOLD (MAPS)

26 = 6 COL 10 GOLD (MAPS)

28 = 8 COL 10 GOLD (MAPS)

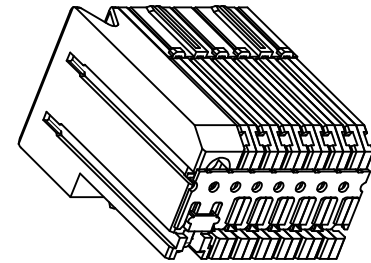
20 = 10 COL 10 GOLD (MAPS)

65 = 5 COL W/ESD 10 GOLD (MAPS)

66 = 6 COL W/ESD 10 GOLD (MAPS)

68 = 8 COL W/ESD 10 GOLD (MAPS)

60 = 10 COL W/ESD 10 GOLD (MAPS)



SEE SHEET 1 EC NO: UCP2013-4121 DRAWN BY: DRWINRHIPPLE 2013/04/01 CHECKED BY: CHKDHWOLFE 2013/04/01 APPR: SMILLER 2013/07/15	QUALITY SYMBOLS	GENERAL TOLERANCES (UNLESS SPECIFIED)	DIMENSION STYLE	SCALE	DESIGN UNITS	THIRD ANGLE PROJECTION
	▽=0	mm INCH	MM ONLY	1:1	METRIC	
	▽=0	4 PLACES ± --- ± ---	DRAWN BY DATE	TITLE		
	▽=0	3 PLACES ± --- ± ---	MCARRANZA 2008/05/13	I-TRAC NXT DAUGHTERCARD		
	▽=0	2 PLACES ± 0.13 ± ---	CHECKED BY DATE	11 ROW SIGNAL MODULE		
	1 PLACE ± 0.25 ± ---	JLAURX 2008/05/13	GUIDE RIGHT SALES DWG			
	0 PLACE ± --- ± ---	APPROVED BY DATE	molex			
		JLAURX 2008/05/13	MATERIAL NO.	DOCUMENT NO.	SHEET NO.	
			SEE CHART	SD-76680-004	2 OF 2	
			THIS DRAWING CONTAINS INFORMATION THAT IS PROPRIETARY TO MOLEX INCORPORATED AND SHOULD NOT BE USED WITHOUT WRITTEN PERMISSION			