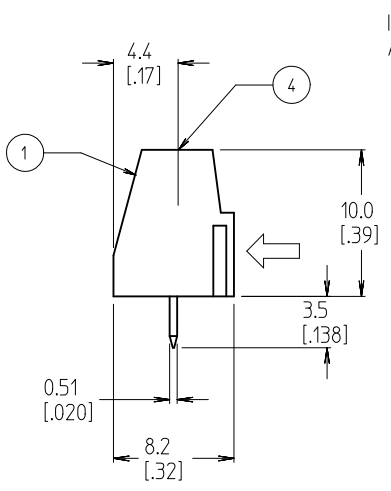
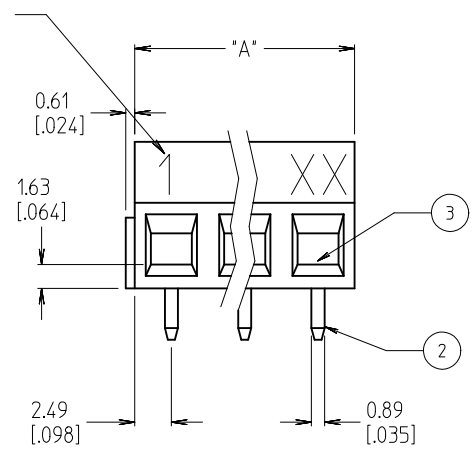


3 CIRCUIT SHOWN



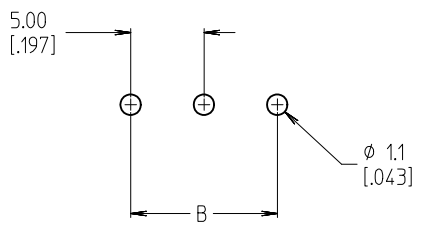
IMPRINT 1.8 [0.07]  
AS SHOWN



NOTES:

1. MATERIAL: SEE TABLE
2. FINISHES: SEE TABLE
3. ASSEMBLY IS ROHS COMPLIANT BY EXEMPTION. COMPONENTS MARKED WITH AN ASTERISK (\*) ARE ROHS COMPLIANT BY EXEMPTION. ALL OTHERS ARE ROHS COMPLIANT.
4. INCH DIMS ARE SHOWN IN BRACKETS [XXX].

(E)



		DIM. "A"	DIM. "B"
		10.0 [0.39]	5.00 [0.197]
		15.0 [0.59]	10.00 [0.394]
		20.0 [0.79]	15.00 [0.591]
		25.0 [0.98]	20.00 [0.787]
		30.0 [1.18]	25.00 [0.984]
		35.0 [1.38]	30.00 [1.181]
		40.0 [1.57]	35.00 [1.378]
		45.0 [1.77]	40.00 [1.575]
		50.0 [1.97]	45.00 [1.772]
		55.0 [2.17]	50.00 [1.969]
		60.0 [2.36]	55.00 [2.165]
		65.0 [2.56]	60.00 [2.362]
		70.0 [2.76]	65.00 [2.559]
3	398900314	75.0 [2.95]	70.00 [2.756]
398904315	398900315	80.0 [3.15]	75.00 [2.953]
398904316	398900316	85.0 [3.35]	80.00 [3.150]
398904317	398900317	90.0 [3.54]	85.00 [3.346]
398904318	398900318	95.0 [3.74]	90.00 [3.543]
398904319	398900319	100.0 [3.94]	95.00 [3.740]
398904320	398900320	105.0 [4.13]	100.00 [3.937]
398904321	398900321	110.0 [4.33]	105.00 [4.134]
398904322	398900322	115.0 [4.53]	110.00 [4.331]
398904323	398900323	120.0 [4.72]	115.00 [4.528]
398904324	398900324	125.0 [4.92]	120.00 [4.724]
398904325	398900325		

ITEM	QTY.	DESCRIPTION	MATERIAL	FINISH
4	XX	SCREW, M3	COPPER ALLOY	NICKEL PLATED
3	XX	CAGE CLAMP (*)	COPPER ALLOY	NICKEL PLATED
2	XX	TERMINAL, PC	COPPER ALLOY	TIN PLATED (E)
1	1	INSULATOR	POLYAMIDE	BLACK

REVISED & REDRAWN  
 EC NO: WNA2010-0469  
 DTI/DRM/CLYORK 2010/01/26  
 CHKD:DTITUS 2010/01/26  
 APPR:DTITUS 2010/02/02

QUALITY SYMBOLS  
 ▽=0  
 ▽=0

GENERAL TOLERANCES (UNLESS SPECIFIED)  
 mm INCH  
 4 PLACES ± --- ± ---  
 3 PLACES ± --- ± .005  
 2 PLACES ± 0.13 ± .010  
 1 PLACE ± 0.3 ± ---  
 ANGULAR ± 2°

DRAFT WHERE APPLICABLE  
 MUST REMAIN WITHIN DIMENSIONS

DIMENSION STYLE  
 MM/IN

DRAWN BY DATE  
 CLYORK 2010/01/26

CHECKED BY DATE  
 DTITUS 2010/01/26

APPROVED BY DATE  
 DTITUS 2010/02/01

MATERIAL NO.  
 SEE CHART

SCALE  
 3:1

DESIGN UNITS  
 INCH

THIRD ANGLE PROJECTION

5.00/.197 EUROSTYLE LOW, SINGLE ROW FIXED BLOCK

Molex MOLEX INCORPORATED

DOCUMENT NO.  
 SD-39890-003

SHEET NO.  
 1 OF 1

THIS DRAWING CONTAINS INFORMATION THAT IS PROPRIETARY TO MOLEX INCORPORATED AND SHOULD NOT BE USED WITHOUT WRITTEN PERMISSION