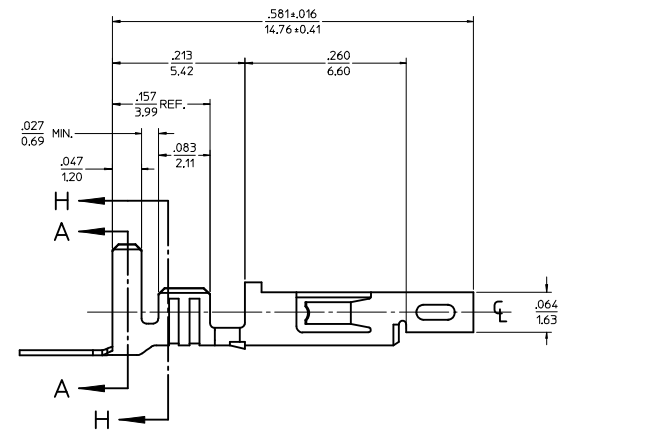
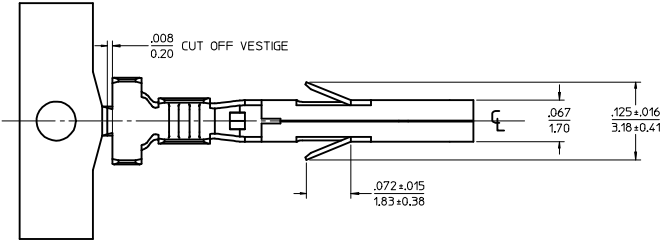
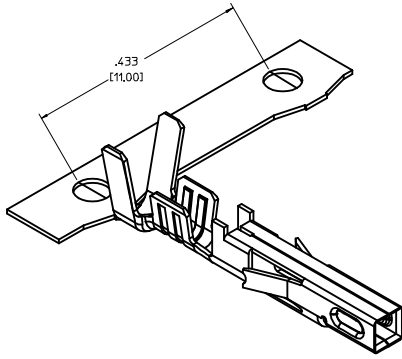


ITEM NO.	FORM	WIRE GAGE	DIM 'B'	DIM 'C'	DIM 'D'	DIM 'E'	DIM 'F'	DIM 'G'	PLATING: SEE NOTE 2
45750111	CHAIN	18-20	.142±.012 (3.60±0.30)	.177±.016 (4.50±0.40)	.035 (0.90)	.075±.012 (1.90±0.30)	.091±.016 (2.30±0.40)	.020 (0.50)	1 TIN OVER NICKEL
45750112	LOOSE								
45750311	CHAIN	16	.142±.012 (3.60±0.30)	.177±.016 (4.50±0.40)	.035 (0.90)	.091±.012 (2.30±0.30)	.106±.016 (2.70±0.40)	.024 (0.60)	2 SELECT GOLD OVER NICKEL
45750312	LOOSE								

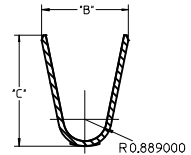
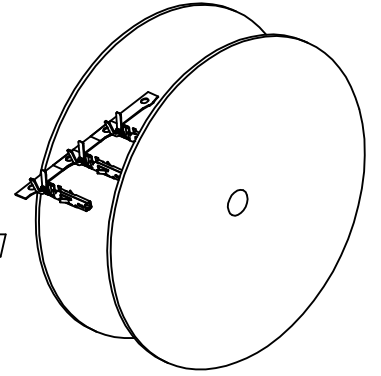
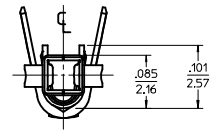
NOTES:

- MATERIAL: COPPER ALLOY .0080/(0.203) THICK
- FINISH:
 - .000100/(0.00254) MIN, BRIGHT TIN OVER .000050/(0.00127) MIN NICKEL OVERALL.
 - .000030/(0.00076) MIN, SELECT GOLD IN CONTACT AREA AND .000100/(0.00254) MIN, SELECT MATTE TIN IN CRIMP AREA OVER .000050/(0.00127) MIN, NICKEL OVERALL.
 GOLD PLATING RECOMMENDED FOR APPLICATIONS WHERE FRETTING CORROSION IS A CONCERN.
- PRODUCT SPECIFICATION: PS-45750-001
- PACKAGING SPECIFICATION : PK-45750-001 FOR CHAIN TERMINALS
PK-5556-003 FOR LOOSE TERMINALS
- TERMINAL FOR USE WITH 5557, 42474, 44516, 43760, AND 30067 SERIES HOUSINGS.
- WHEN TERMINALS ARE INSTALLED IN THE HOUSING, THE WIRES ARE TO BE DRESSED IN SUCH A MANNER TO ALLOW THE TERMINALS TO FLOAT FREELY IN THE POCKET.
- THIS TERMINAL IS DESIGNED FOR SINGLE WIRE CRIMPING.

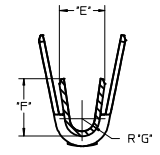


LEGEND

45750 * * 1 * *
 BASE NUMBER FORM
 1 = CHAIN
 2 = LOOSE
 WIRE GAGE PLATING (SEE NOTE 2)
 1 = 18-20 1 = TIN OVER NICKEL
 3 = 16 2 = SELECT GOLD



SECTION A-A



SECTION H-H

RoHS COMPLIANT

UPDATE .050 DIM EEC NO. UCP2014-4406 DRAWN BY: CHYD:IBELL APPROVED: SMITH 2014/04/25 2015/07/17	QUALITY SYMBOLS ∇=0 ∇=0 ∇=0	GENERAL TOLERANCES (UNLESS SPECIFIED): mm INCH		DIMENSION STYLE IN/MM		SCALE 10:1	DESIGN UNITS INCH	THIRD ANGLE PROJECTION	
		4 PLACES ±.010 ±.010 3 PLACES ±.025 ±.010 2 PLACES ±0.25 ±.014 1 PLACE ±0.36 ±.010 0 PLACE ± ±		DRAWN BY: SML CHECKED BY: MMD APPROVED BY: AP DATE: 2004/01/30 DATE: 2004/01/30 DATE: 2004/02/05		TITLE FEMALE CRIMP TERMINAL, H.C.S.PLUS, MINI-FIT JR. SERIES		MATERIAL NO. SEE CHART	DOCUMENT NO. SD-45750-001
DRAFT WHERE APPLICABLE MUST REMAIN WITHIN DIMENSIONS		ANGULAR ±1/2°		SIZE D		THIS DRAWING CONTAINS INFORMATION THAT IS PROPRIETARY TO MOLEX INCORPORATED AND SHOULD NOT BE USED WITHOUT WRITTEN PERMISSION			