

6

5

4

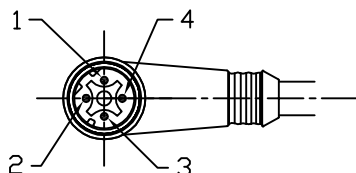
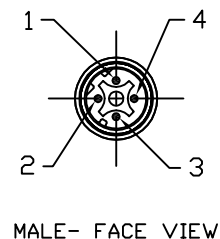
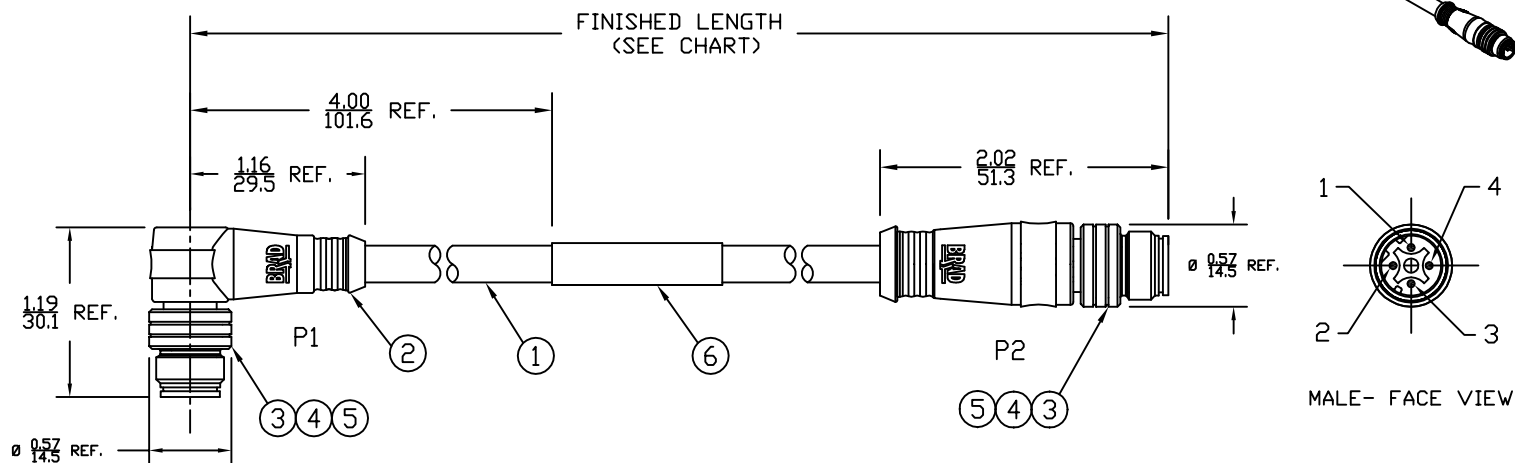
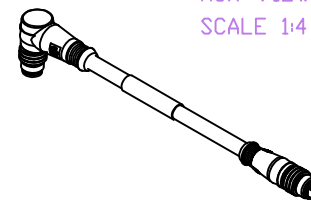
3

2

1

PART NUMBER	ENGINEERING NO.	LENGTH ± TOLERANCE
1300480145	E11A06210M010	3' 3" +2.19"/-0" [1M +55.6/-0 mm]
1300480147	E11A06210M050	16' 4" +6.5"/-0" [5M +165.0/-0 mm]

AUX VIEW
SCALE 1:4



MALE-FACE VIEW

P1		P2	
1	YELLOW	1	
2	WHITE	2	
3	ORANGE	3	
4	BLUE	4	

WIRING DIAGRAM

NOTES:

- 1) MATERIAL: SEE TABLE
- 2) FINISHES: SEE TABLE
- 3) CABLE: #22/4 SHIELDED PUR
- 4) ELECTRICAL DATA:
ACCORDING TO CAT5e ETHERNET STANDARD
MAX. VOLTAGE: 30V
MAX. CURRENT: 1.5A
- 5) ENVIRONMENTAL:
PROTECTION IP67
TEMPERATURE RANGE: -20°C TO 75°C
- 6) WRAP LABEL IS MARKED WITH P/N, DATE CODE,
VOLTAGE & AMPERAGE.
- 7) ASSEMBLY IS RoHS COMPLIANT.

ITEM	QTY.	DESCRIPTION	MATERIAL	FINISH
6	1	LABEL	PLASTIC FILM	BLACK/YELLOW
5	2	INSERT	PUR	BLACK
4	8	PIN CONTACT	COPPER ALLOY	GOLD PLATED
3	2	M12 COUPLING NUT	BRASS	NICKEL
2	2	OVERMOLD	PUR	BLACK
1	1	ETHERNET CABLE-CAT5E	PUR JACKET	TEAL

SD RELEASE EC NO: WEL2010-0005 7/13/09 DRWN: VOU CHKD: BWOODMAN APPR: JFMURPHY 2009/07/20	QUALITY SYMBOLS	GENERAL TOLERANCES (UNLESS SPECIFIED)	DIMENSION STYLE IN/MM	SCALE 3:4	DESIGN UNITS INCH	THIRD ANGLE PROJECTION
	$\nabla=0$ $\nabla C=0$					

GENERAL TOLERANCES (UNLESS SPECIFIED)	
	mm
4 PLACES	±----
3 PLACES	±0.05
2 PLACES	±0.10
1 PLACE	±0.20
ANGULAR ±1/2°	
DRAFT WHERE APPLICABLE MUST REMAIN WITHIN DIMENSIONS	

DRAWN BY VOU	DATE 2009/07/06
CHECKED BY BWOODMAN	DATE 2009/07/31
APPROVED BY	DATE
MATERIAL NO.	SEE CHART
SIZE A	THIS DRAWING CONTAINS INFORMATION THAT IS PROPRIETARY TO MOLEX INCORPORATED AND SHOULD NOT BE USED WITHOUT WRITTEN PERMISSION

TITLE MICRO-CHANGE CABLE ASSY 4P M/MP ST/90 D-CODE #22/4 SHIELDED PUR	
MOLEX INCORPORATED	
DOCUMENT NO. SD-120108-022	SHEET NO. 1 OF 1

6

5

4

3

2

1