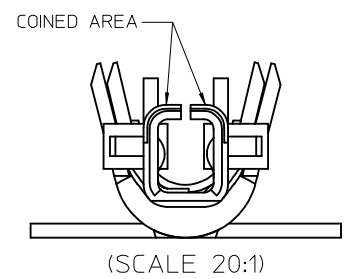
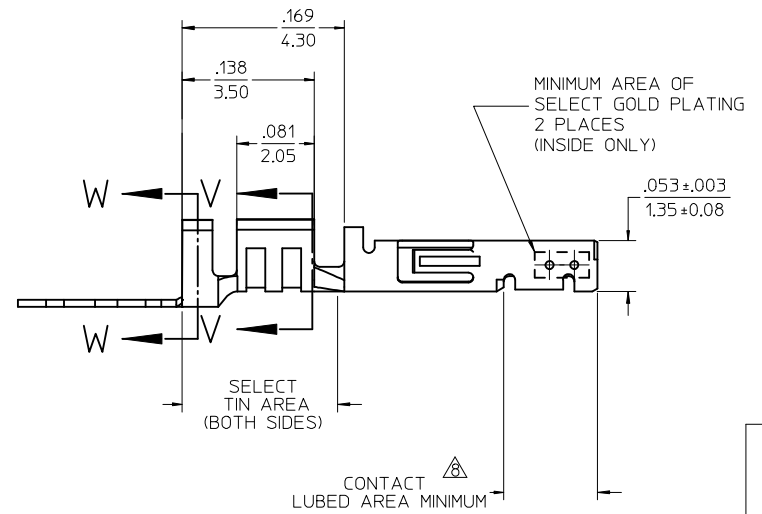
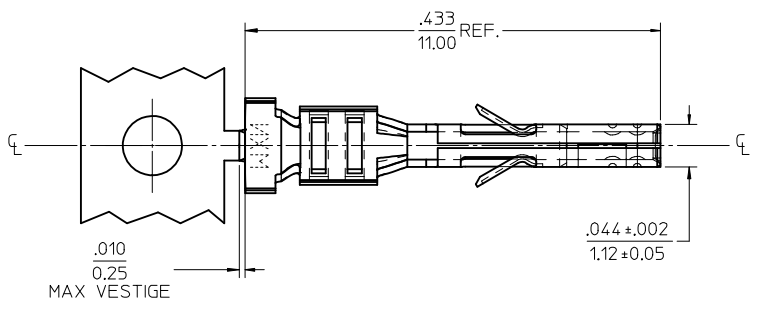
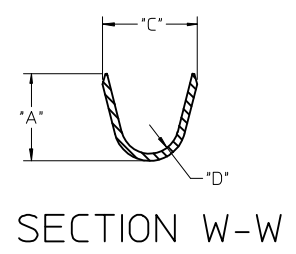
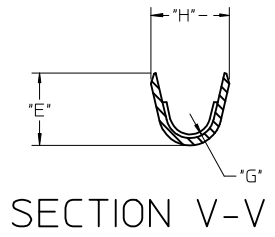


	13	12	11	10	9	8	7	6	5	4	3	2	1
J	WIRE SIZE	MAX INSULATION	"A" ±.012 ±0.30	"C" ±.012 ±0.30	"D" ±.005 ±0.13	"E" ±.012 ±0.30	"G" ±.005 ±0.13	"H" ±.012 ±0.30					
	20-24	.073/1.85	.090/2.29	.100/2.54	.030/0.76	.075/1.91	.025/0.64	.082/2.08					
	26-30	.050/1.27	.075/1.91	.083/2.10	.025/0.64	.058/1.47	.020/0.51	0.65/1.65					

MATERIAL NUMBER	PLATING	WIRE SIZE	FORM
45773-0001	A	20-24	CHAIN
45773-0002	B	20-24	CHAIN
45773-0003	C	20-24	CHAIN
45773-0004	A	26-30	CHAIN
45773-0005	B	26-30	CHAIN
45773-0006	C	26-30	CHAIN



NOTES

- 1) MATERIAL: PHOSPHOR BRONZE ALLOY
- 2) TERMINAL PLATING:
 A - HOT TIN DIP: .000040/0.00102 MIN.
 B - .000015/0.00038 MIN. SELECT GOLD
 .000100/0.00254 MIN. SELECT TIN
 ALL OVER .000050/0.00127 MIN. NICKEL OVERALL.
 C - .000030/0.00076 MIN. SELECT GOLD
 .000100/0.00254 MIN. SELECT TIN
 ALL OVER .000050/0.00127 MIN. NICKEL OVERALL.
 MATERIAL NUMBERS WITH SELECT PLATING ARE POST-PLATED.
- 3) PRODUCT SPECIFICATION: PS-43045, PS-43650, PS-44300-001.
- 4) PACKAGING SPECIFICATION: PK-45773-001
- 5) TERMINAL FOR USE IN MICRO FIT RECEPTACLE SERIES DESIGNED FOR USING THE 43030-**** FEMALE CRIMP TERMINAL.
- 6) FOR TERMINAL ORIENTATION IN RECEPTACLE SEE DRAWING SDA-43025-**** OR SDA-43645-****.
- 7) THIS TERMINAL IS DESIGNED IN METRIC.
- 8) MOLEX PROPRIETARY CONTACT LUBRICATION EB-1 IS APPLIED IN THE CONTACT AREA BY THE FACTORY.
- 9) MOLEX RECOMMENDS THE USE OF MICRO-FIT TEST PLUG (SERIES 44242) WHENEVER CONTINUITY TESTING IS PERFORMED. TEST PLUGS MUST NOT BE USED TO MAKE OR BREAK UNDER LOAD. MOLEX DOES NOT RECOMMEND USING STANDARD MATING COMPONENTS (SERIES 43020, 43045, 43640, 43650, OR 43031) FOR HARNESS TESTING PURPOSES.

ADD MXN EC NO: UCP2015-1397 DRWN: DFOJ CHKD: SSOUSEK APPR: FSMITH	DESCRIPTION 2014/10/02 2014/10/02 2015/07/01	QUALITY SYMBOLS	GENERAL TOLERANCES (UNLESS SPECIFIED)	DIMENSION STYLE IN/MM	SCALE 10:1	DESIGN UNITS METRIC	THIRD ANGLE PROJECTION
		▽=0	mm INCH	DRAWN BY DATE DPETERSON 2006/01/25	TITLE MICRO-FIT (3.0) FEMALE CRIMP TERMINAL W/ LUBRICANT	molex	
		▽=0	4 PLACES ± --- ± ---	CHECKED BY DATE SSOUSEK 2006/01/25	DOCUMENT NO. SD-45773-001		
		▽=0	3 PLACES ± --- ± .010	APPROVED BY DATE FSMITH 2006/01/25			
	2 PLACES ± 0.25 ± .014		SHEET NO. 1 OF 1				
		1 PLACE ± 0.35 ± ---	ANGULAR ±1/2°	SEE CHART			
		0 PLACE ± ±	DRAFT WHERE APPLICABLE MUST REMAIN WITHIN DIMENSIONS	SIZE C	THIS DRAWING CONTAINS INFORMATION THAT IS PROPRIETARY TO MOLEX INCORPORATED AND SHOULD NOT BE USED WITHOUT WRITTEN PERMISSION		