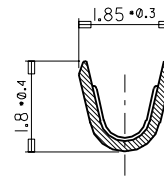
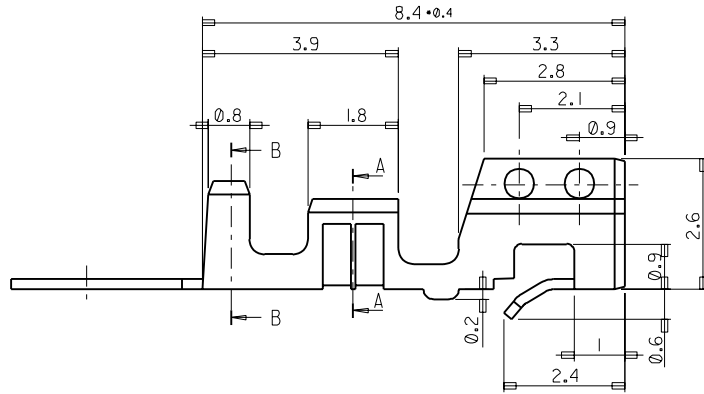
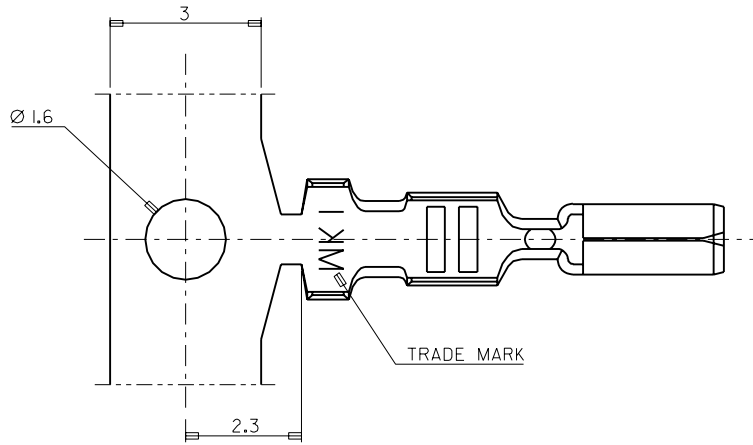
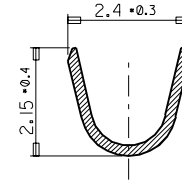


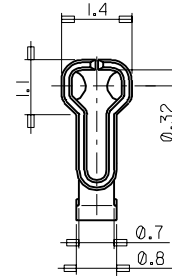
PROJECT NO. 5103-** SIMILAR ITEM 5103-** EDP NO. 08-700-05*9 ENG. NO SD 5103-#9



SECTION A-A



SECTION B-B



NOTE

I. APPLICABLE HOUSING : 5102-N, 35155-**-00

PRE-RELEASE
REFERENCE
USE ONLY

| | | | | | | | | |
|-----|-----------------|-----------|---------|--|---------------------------|-------------------------------|------------|-------|
| | | | | | PRE-TIN PHOS-BRO. | 08-700-0589 | 5103-PBT9 | |
| | | | | | PRE-TIN BRASS | 08-700-0569 | 5103-T9 | CHAIN |
| | | | | | MATERIAL | EDP NO. | ENG NO. | FORM |
| | | | | | MATERIAL | SEE TABLE(THK.:0.2) | | |
| | | | | | GENERAL TOLERANCE | MOLEX MOLEX-KOREA CO.,LTD. | | |
| | | | | | DIMENSION : ±0.2 | DRAWN BY | CHK'D BY | |
| | | | | | ANGLE : ±10° | H.S.SHIN | | |
| A | REVISED | KOR7-0074 | 97/7/02 | | DIMENSION CLASSIFICATION | APP'D BY | SCALE 10-1 | |
| Ø | NEW RELEASED | 97-018 | 97/2/25 | | ▽ : CRITICAL ▼ : MAJOR | TITLE : MINI SPOX CRIMP SHEET | | |
| LTR | REVISION RECORD | ECN | DATE | | () : REFERENCE | RECEPTACLE TERMINAL 1/1 | | |
| | | | | | ASS'Y PART | ENG. NO. SD-5103-#9 | | |
| | | | | | DESCRIPTION | REV A | | |
| | | | | | ENG. NO. | | | |
| | | | | | REVISE ONLY ON CAD SYSTEM | | | |