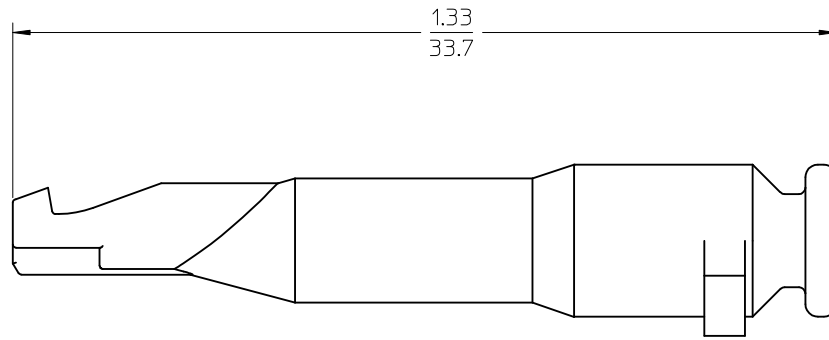
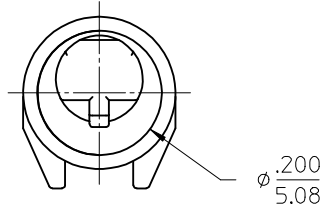
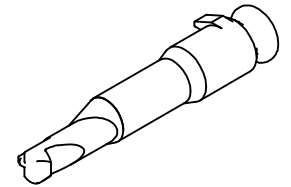


SPRUE ASSY
194310054



SINGLE PART
SCALE 5:1

NOTES:

1. GENERIC MATERIAL NAME: POLYBUTYLENE TEREPHTALATE
MATERIAL ABBREVIATION: PBT
COLOR: NATURAL
GLASS FILLED, UL94 V-0
2. PART IS DESIGNED TO BE USED ON 19432 SERIES REPEACLE ASSEMBLIES.
3. PART IS PACKAGED 144 STRIPS OF 5 IN A 96707-0023 CARTON.
4. MATERIAL IS ROHS COMPLIANT.

| | | | | | | | | | | | | |
|--|----------------------|-----------------|---------------------------------------|-----------------------|--|---------------------|------------------------------------|-----------------------------------|---|--|--|------------------------|
| UPDATE NOTE 3 EC NO: IPG2013-1943 DRW: WLEUNG 2013/06/19 CHKD: BRUPERT 2013/06/19 APPR: JF MURPHY 2013/07/10 | DESCRIPTION REV B | QUALITY SYMBOLS | GENERAL TOLERANCES (UNLESS SPECIFIED) | | DIMENSION STYLE | | SCALE | DESIGN UNITS | THIRD ANGLE PROJECTION | | | |
| | | ▼=0 ∇=0 | mm | INCH | IN/MM | | 2:1 | INCH | MX 150L CIRCUIT PLUG W-T-B, 12-10-8AWG | | | |
| | | | 4 PLACES ± --- ± --- | 3 PLACES ± --- ± .010 | 2 PLACES ± 0.26 ± .02 | 1 PLACE ± 0.5 ± --- | DRAWN BY WLEUNG DATE 2009/10/05 | CHECKED BY DTITUS DATE 2009/10/05 | | | | MATERIAL NO. 194310054 |
| | | | ANGULAR ± 1 ° | | DRAFT WHERE APPLICABLE MUST REMAIN WITHIN DIMENSIONS | | APPROVED BY DTITUS DATE 2010/05/07 | | MOLEX INCORPORATED THIS DRAWING CONTAINS INFORMATION THAT IS PROPRIETARY TO MOLEX INCORPORATED AND SHOULD NOT BE USED WITHOUT WRITTEN PERMISSION | | | |