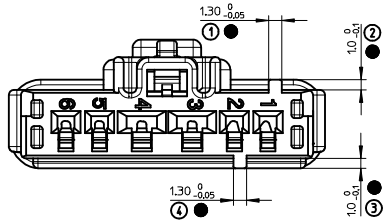
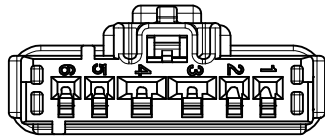




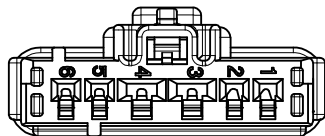
MOLEX P/N°: 0988211060  
COLOUR: WHITE



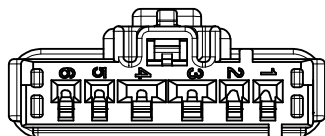
MOLEX P/N°: 0988211061  
COLOUR: BLACK



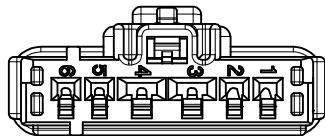
MOLEX P/N°: 0988211065  
COLOUR: GREEN



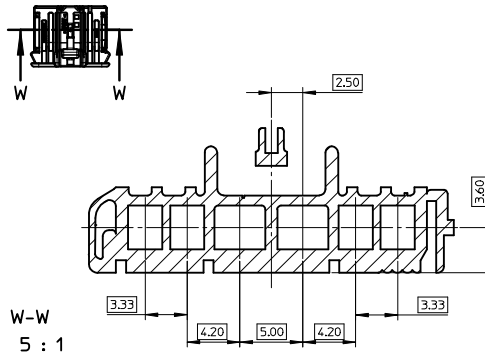
MOLEX P/N°: 0988211068  
COLOUR: GREY



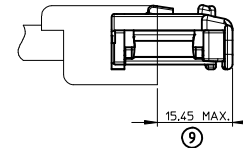
MOLEX P/N°: 0988211069  
COLOUR: BROWN



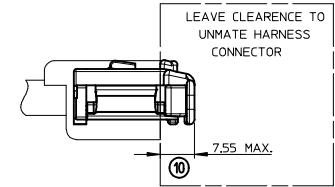
CAVITIES PITCH  
5:1



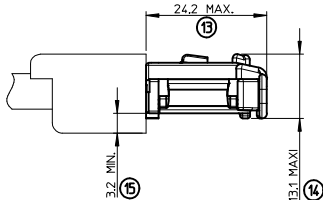
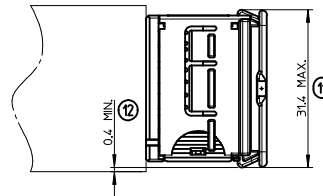
HOLDING IN FIXTURE  
DIMENSION PRIOR TO LOCKING  
2:1



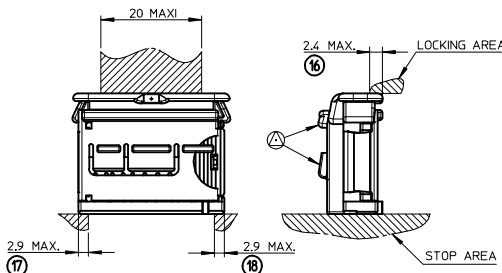
DIMENSION WHEN CONNECTOR MATED  
2:1



CLEARANCE FOR CONNECTOR MATED AND UNMATED  
2:1



HOLDING IN FIXTURE  
2:1



		MOLEX P/N	
SCC RCPT TERM 1.5 MM	RANGE 1	0988971109	
	RANGE 2	0988971119	
	RANGE 3	0988971129	
TERM RCPT 2.8 MM UCC2	RANGE 1		0988981029
	RANGE 2		0988981039
	RANGE 3		0988981049

INDICATION DIMENSIONS S.P.C DENOTES S.P.C DIMENSIONS  
 INDICATION DIMENSIONS CRITIQUEES DENOTES CRITIQUEES DIMENSIONS  
 INDICATION DIMENSIONS FONCTIONNELLES DENOTES FUNCTIONNELLES DIMENSIONS  
 QUANTITE PAR FEUILLE INDIVIDUELLE QUANTITY PER INDIVIDUAL SHEET  
 = 0     = 0     = 4

- FEMALE CONNECTOR WILL MATE WITH MALE CONNECTOR P/N 098825106x OR HEADER P/N 098770201X

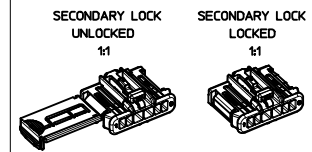
- THE USING CONDITIONS OF THE HINGE ARE SHOWN IN THE MOLEX SPECIFICATION N°: AS-98821-001.

- HOLDING FORCE ONTO FIXTURE:  
20 TO 35 NEWTON WITH PUSH TEST.  
10 TO 35 NEWTON WITHOUT PUSH TEST.

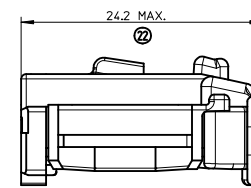
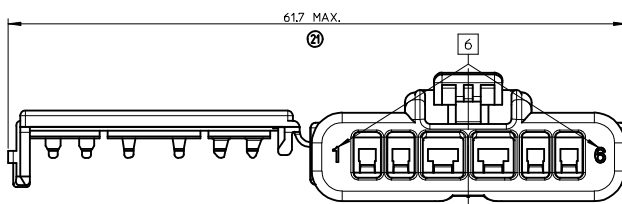
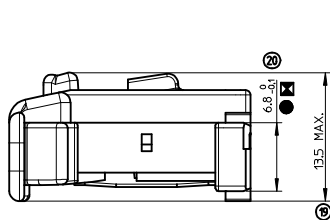
- DO NOT LOCK THE FIXTURE WITH THE AREAS IDENTIFIED BY: (16)

- DO NOT DAMAGE THE PART ON THE AREAS IDENTIFIED BY: (17)

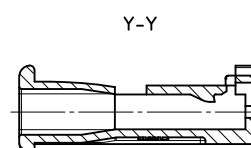
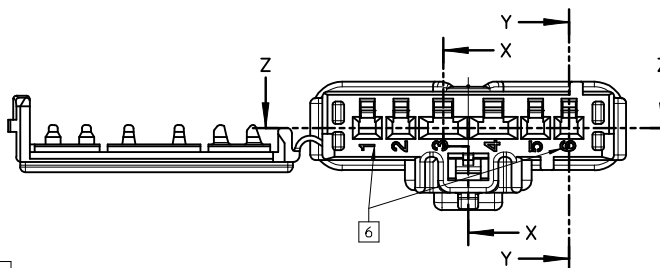
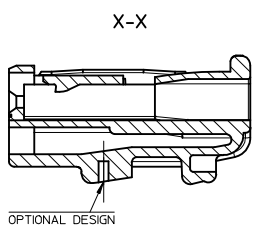
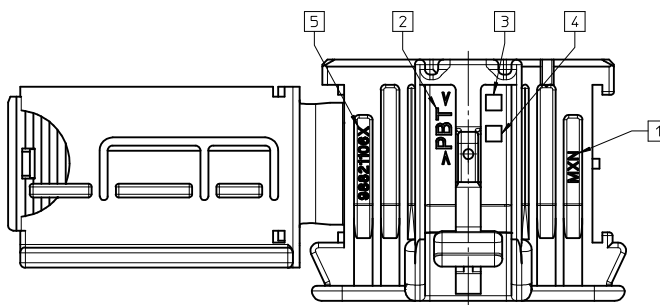
- FEMALE TERMINAL USED: SEE CHART BELOW.



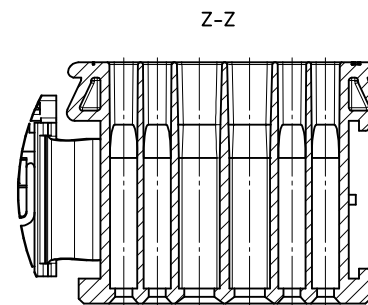
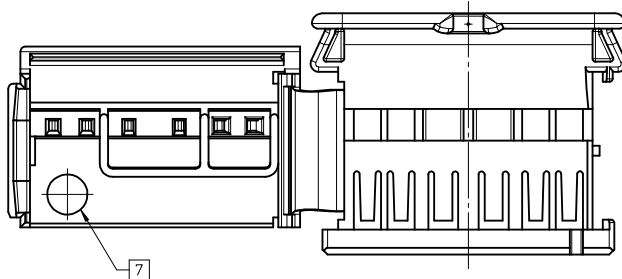
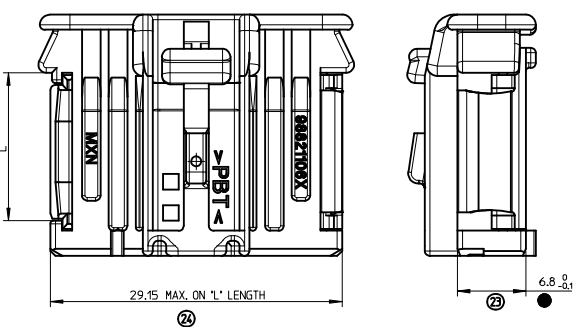
REVISED IEC NO: G2013-030 0000-0103 C DRAWINGS: BRUIERES 2013/04/26 CHYKOLBARRETO 2013/04/26 APPROPRIETES 2013/09/12	QUALITY SYMBOLS DESCRIPTION	GENERAL TOLERANCES (UNLESS SPECIFIED)		DIMENSION STYLE MM ONLY		SCALE 4:1	DESIGN UNITS METRIC	FIRST ANGLE PROJECTION	
		mm	INCH	DRAWN BY LPOUCHAUD	DATE 2007/12/05	TITLE UCC RCPT CONN HYBRID UNSEALD 6CKT			
		4 PLACES ± --- ± ---		CHECKED BY YIGEL	DATE 2007/12/12	moxex DOCUMENT NO. SD-98821-002 SHEET NO. 1 OF 2			
		3 PLACES ± --- ± ---		APPROVED BY LSTICKEIR	DATE 2007/12/17				
ANGULAR ± 1 ° DRAFT WHERE APPLICABLE MUST REMAIN WITHIN DIMENSIONS		SEE CHART SIZE 1		THIS DRAWING CONTAINS INFORMATION THAT IS PROPRIETARY TO MOLEX INCORPORATED AND SHOULD NOT BE USED WITHOUT WRITTEN PERMISSION					



SECONDARY LOCK UNLOCKED



SECONDARY LOCK LOCKED



- FEMALE CONTACTS AND CAVITIES LOCATION, HOLDING IN FIXTURE, OVERALL DIMENSIONS, KEY ACCORDING SHEET 1/2 OF SAME P/N°.

MARKINGS:

- 1 - SUPPLIER MFG. PLANT ID.
- 2 - MATERIAL
- 3 - MOLD CAVITY ID.
- 4 - SUPPLIER MOLD REV. LEVEL
- 5 - SUPPLIER P/N°
- 6 - TERM. CAVITY N°
- 7 - DATUM: MONTH/YEAR

1 : 1



[Symbol] INDICATION DIMENSIONS S.P.C DENOTES S.P.C DIMENSIONS  
 [Symbol] INDICATION DIMENSIONS S.P.C DENOTES S.P.C DIMENSIONS  
 [Symbol] INDICATION DIMENSIONS S.P.C DENOTES S.P.C DIMENSIONS  
 [Symbol] INDICATION DIMENSIONS S.P.C DENOTES S.P.C DIMENSIONS  
 QUANTITE PAR FEUILLE INDIVIDUELLE QUANTITY PER INDIVIDUAL SHEET  
 [Symbol] = 1 [Symbol] = 0 [Symbol] = 2

DESCRIPTION	P/N°	COLOUR	MATERIAL	EFFECTIVE WEIGHT
UCC RCPT CONN HYBRID UNSEALED 6CKT	0988211069	BROWN	PBT	3.480 g
	0988211068	GREY		
	0988211065	GREEN		
	0988211060	WHITE		
	0988211061	BLACK		

REVISED  
 E.C. NO: G2013-0330  
 DRAWING: BRVIERES 2013/04/26  
 CHK: BARRETO 2013/04/26  
 APPR: PLESSIS 2013/09/12

QUALITY SYMBOLS	GENERAL TOLERANCES (UNLESS SPECIFIED)	
	mm	INCH
4 PLACES	± 0.10	± 0.004
3 PLACES	± 0.15	± 0.006
2 PLACES	± 0.20	± 0.008
1 PLACE	± 0.30	± 0.012
0 PLACE	± 0.40	± 0.016

ANGULAR ± 1°  
 DRAFT WHERE APPLICABLE MUST REMAIN WITHIN DIMENSIONS

DIMENSION STYLE	
MM ONLY	
DRAWN BY	DATE
LPOUCHAUD	2007/12/05
CHECKED BY	DATE
YIGEL	2007/12/12
APPROVED BY	DATE
LSTICKEIR	2007/12/17
MATERIAL NO.	
SEE CHART	

SCALE	DESIGN UNITS	FIRST ANGLE PROJECTION
4:1	METRIC	[Symbol]
TITLE		
UCC RCPT CONN HYBRID UNSEALED 6CKT		
DOCUMENT NO.		
SD-98821-002		
SHEET NO.		2 OF 2

**molex**  
 THIS DRAWING CONTAINS INFORMATION THAT IS PROPRIETARY TO MOLEX INCORPORATED AND SHOULD NOT BE USED WITHOUT WRITTEN PERMISSION