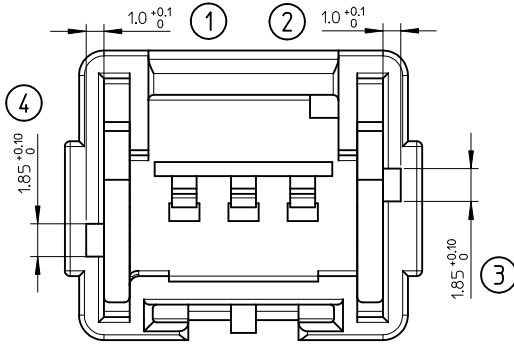
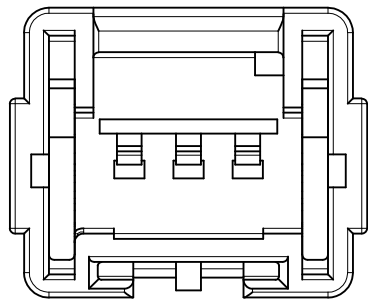


GREEN CODING
P/N 0988221035



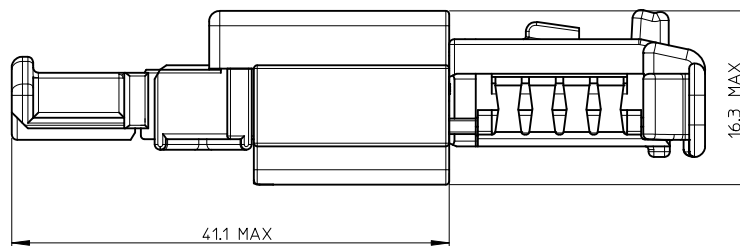
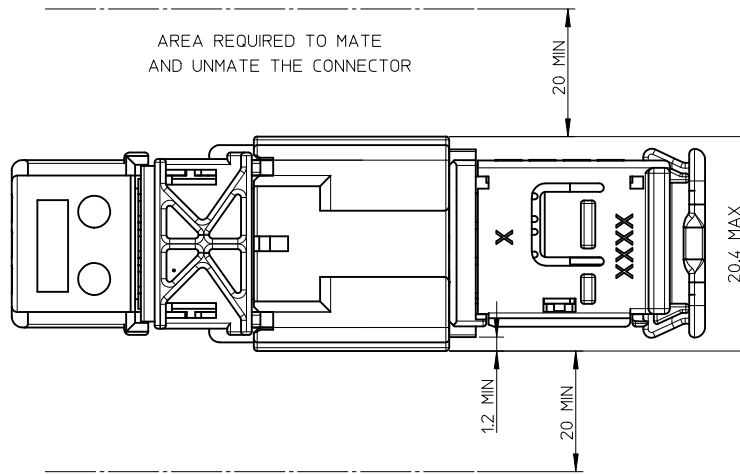
BLACK CODING
P/N 0988221031



WHITE CODING
P/N 0988221030

CODING 5:1

HANDLING AREA

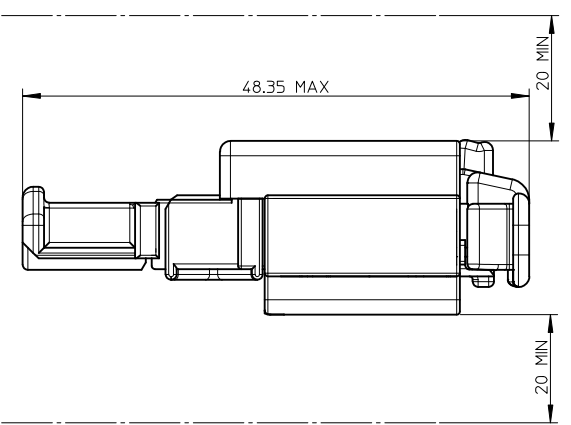


NOTE : 1 - The using conditions are shown in the MOLEX specification n°AS-98821-001.

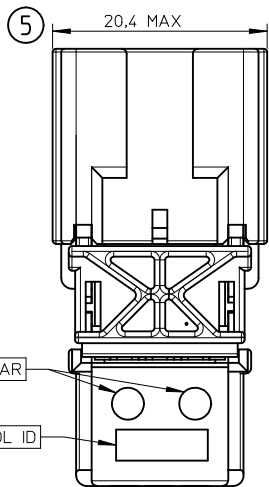
2 - Male terminal used : SICMA 3 1.5mm

3 - Male connector will mate with female connector P/N 098817103x

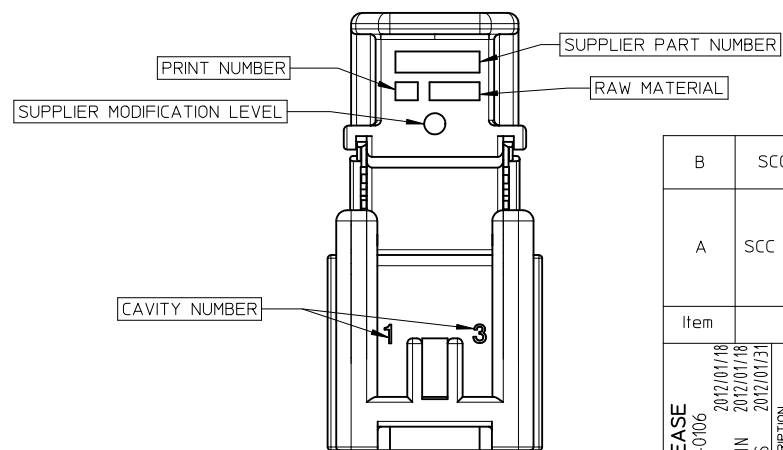
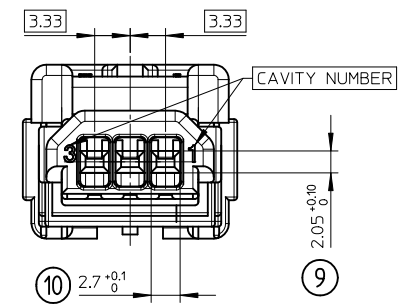
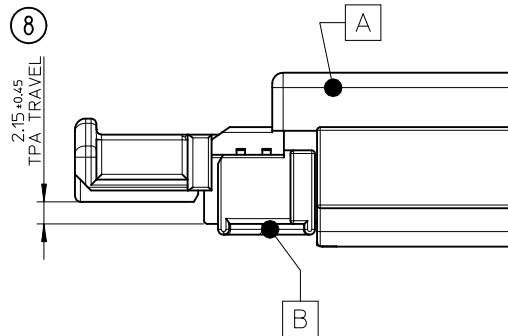
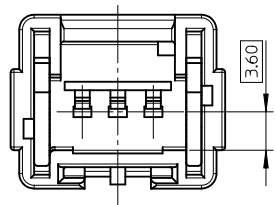
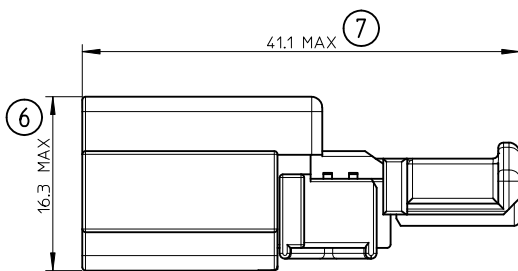
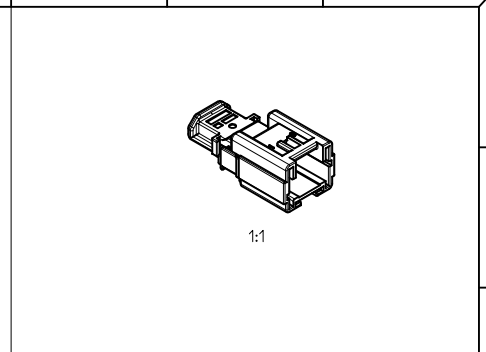
AREA REQUIRED WHEN THE CONNECTOR IS MATED



FIRST RELEASE EC NO: G2012-0106 DRAWN BY: VJOUAS 2012/01/18 CHKD: AHERBELIN 2012/01/18 APPR: OPLESSIS 2012/01/31	QUALITY SYMBOLS ▽=0 ▽=0 ▽=0	GENERAL TOLERANCES (UNLESS SPECIFIED)		DIMENSION STYLE MM ONLY	SCALE 3:1	DESIGN UNITS METRIC	FIRST ANGLE PROJECTION			
		4 PLACES ± --- ± ---	3 PLACES ± --- ± ---	2 PLACES ± --- ± ---	1 PLACE ± 0.1	DRAWN BY: VJOUAS DATE: 2012/01/18	TITLE NSCC PIN CONN 1.5 3CKT	MATERIAL NO. SEE SHEET 2	DOCUMENT NO. SD-98822-003	SHEET NO. 1 OF 2
		ANGULAR ± 1°		DRAFT WHERE APPLICABLE MUST REMAIN WITHIN DIMENSIONS		CHECKED BY: AHERBELIN DATE: 2012/01/18		MOLEX INCORPORATED		THIS DRAWING CONTAINS INFORMATION THAT IS PROPRIETARY TO MOLEX INCORPORATED AND SHOULD NOT BE USED WITHOUT WRITTEN PERMISSION



0988221035	GREEN
0988221031	BLACK
0988221030	WHITE
PART NUMBER ASSEMBLY PART	COLOR



BLACK CODING (P/N 0988221031) IS SHOWN.

Item	Description	Part-number	Color	Raw Material	Weight effective (g)
B	SCC Pin Conn 1.5x0.8 TPA 3Ckt	0988220134	Yellow	POLYAMIDE >PA66-GF20<	4.94
A	SCC Pin Conn Unsealed 1.5x0.8 3Ckt	0988220035	Green	POLYESTER >PBT<	
		0988220031	Black		
		0988220030	White		

FIRST RELEASE EC NO: G2012-0106 DRAWN: VJOUAS 2012/01/18 CHKD: AHERBEL IN 2012/01/18 APPR: OPLESSIS 2012/01/31	DESCRIPTION VJOUAS AHERBEL IN OPLESSIS	QUALITY SYMBOLS	GENERAL TOLERANCES (UNLESS SPECIFIED)	DIMENSION STYLE	SCALE	DESIGN UNITS	FIRST ANGLE PROJECTION															
		$\nabla=0$ $\nabla=0$ $\nabla=0$	<table border="1"> <tr> <th></th> <th>mm</th> <th>INCH</th> </tr> <tr> <td>4 PLACES</td> <td>± ---</td> <td>± ---</td> </tr> <tr> <td>3 PLACES</td> <td>± ---</td> <td>± ---</td> </tr> <tr> <td>2 PLACES</td> <td>± ---</td> <td>± ---</td> </tr> <tr> <td>1 PLACE</td> <td>± 0.1</td> <td>± ---</td> </tr> </table>		mm	INCH	4 PLACES	± ---	± ---	3 PLACES	± ---	± ---	2 PLACES	± ---	± ---	1 PLACE	± 0.1	± ---	MM ONLY DRAWN BY: VJOUAS DATE: 2012/01/18 CHECKED BY: AHERBEL IN DATE: 2012/01/18 APPROVED BY: OPLESSIS DATE: 2012/01/31	3:1	METRIC	
			mm	INCH																		
		4 PLACES	± ---	± ---																		
3 PLACES	± ---	± ---																				
2 PLACES	± ---	± ---																				
1 PLACE	± 0.1	± ---																				
DRAFT WHERE APPLICABLE MUST REMAIN WITHIN DIMENSIONS		SEE CHART	TITLE: NSCC PIN CONN 1.5 3CKT MATERIAL NO. SD-98822-003 DOCUMENT NO.	MOLEX INCORPORATED		SHEET NO. 2 OF 2																
SIZE A 2 THIS DRAWING CONTAINS INFORMATION THAT IS PROPRIETARY TO MOLEX INCORPORATED AND SHOULD NOT BE USED WITHOUT WRITTEN PERMISSION																						