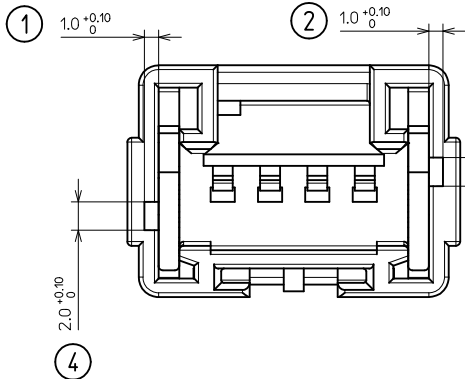
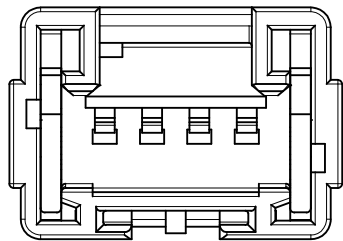


WHITE CODING
P/N 0988221040



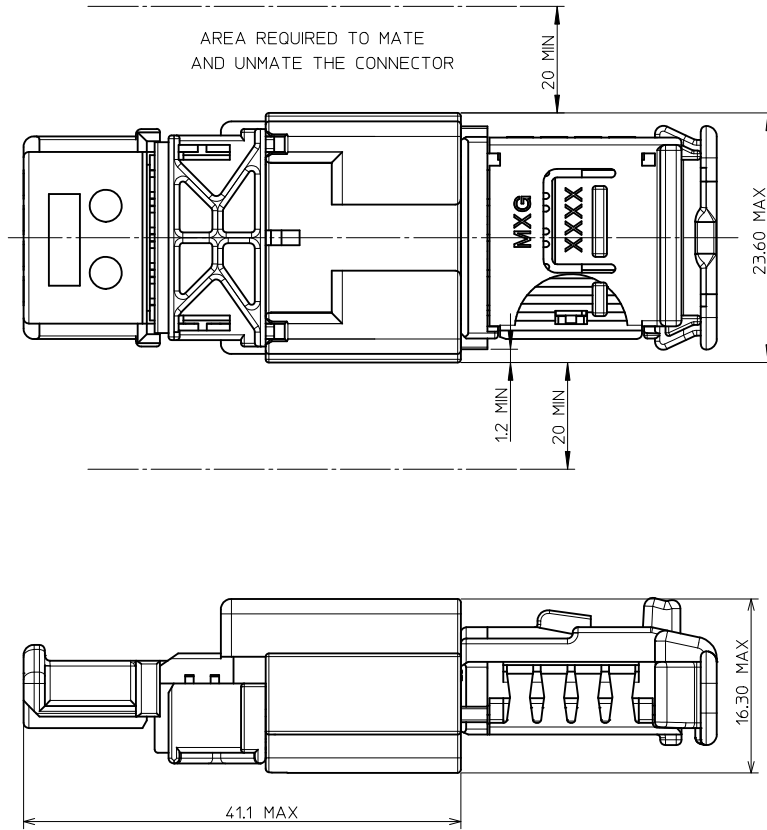
BLACK CODING
P/N 0988221041



GREEN CODING
P/N 0988221045

CODING 4:1

HANDLING AREA



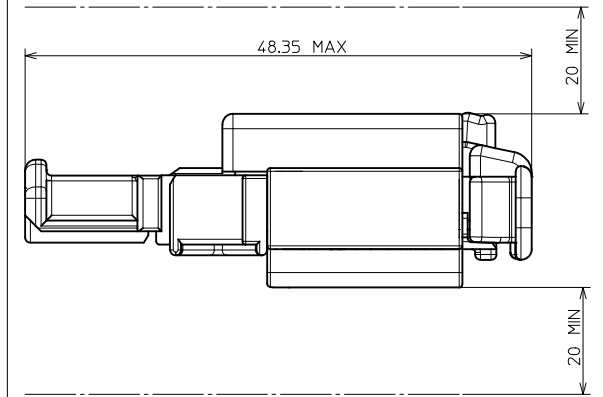
AREA REQUIRED TO MATE
AND UNMATE THE CONNECTOR

NOTE : 1 - The using conditions are shown in the MOLEX specification n°AS-98821-001.

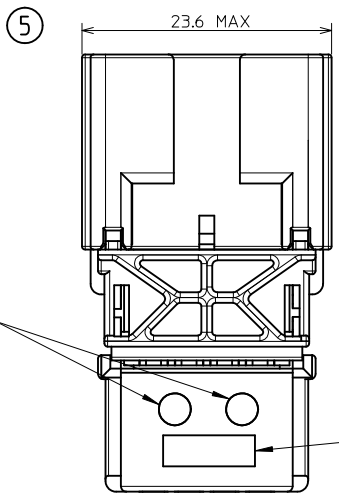
2 - Male terminal used : SICMA 3 1.5mm

3 - Male connector will mate with female connector P/N 098817104x

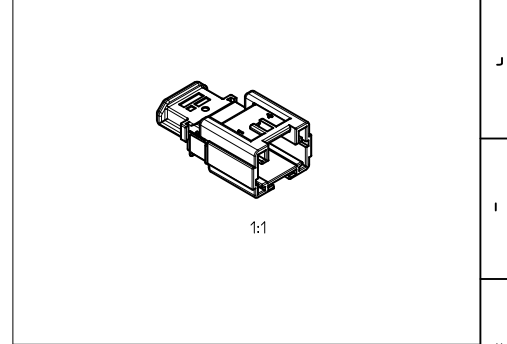
AREA REQUIRED WHEN THE CONNECTOR IS MATED



FIRST RELEASE EC NO: G2012-0092 DRAWN: LPOUCHAUD 2009/03/02 CHKD: VLOJAS 2012/01/09 APPR: OPLESSIS 2012/01/31	QUALITY SYMBOLS 	GENERAL TOLERANCES (UNLESS SPECIFIED)		DIMENSION STYLE MM ONLY	SCALE 3:1	DESIGN UNITS METRIC	FIRST ANGLE PROJECTION	
		4 PLACES ± --- ± ---	mm INCH	DRAWN BY LPOUCHAUD	DATE 2009/03/02	TITLE NSCC PIN CONN 1.5 4KT		
		3 PLACES ± --- ± ---		CHECKED BY YIGEL	DATE 2009/03/02	MOLEX INCORPORATED		
		2 PLACES ± --- ± ---		APPROVED BY OPLESSIS	DATE 2012/01/31	MATERIAL NO. SEE SHEET 2	DOCUMENT NO. SD-98822-005	SHEET NO. 1 OF 2
1 PLACE ± 0.1 ± ---		ANGULAR ± 1 °		THIS DRAWING CONTAINS INFORMATION THAT IS PROPRIETARY TO MOLEX INCORPORATED AND SHOULD NOT BE USED WITHOUT WRITTEN PERMISSION				
DRAFT WHERE APPLICABLE MUST REMAIN WITHIN DIMENSIONS								

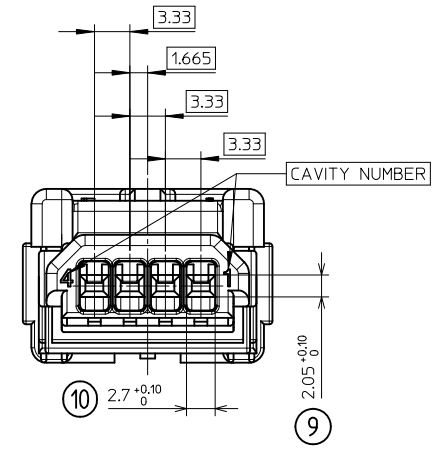
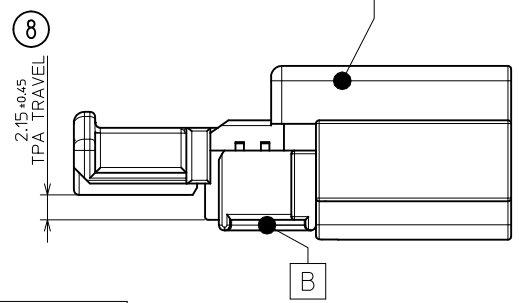
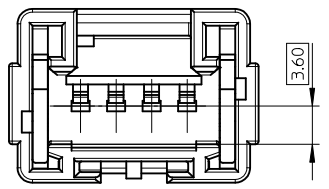
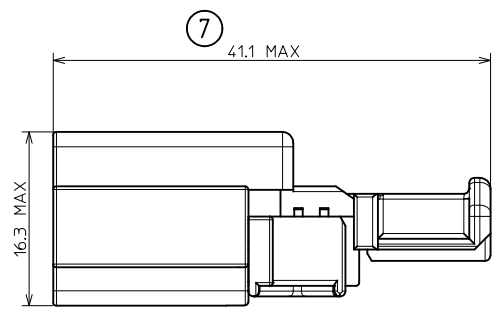


0988221045	GREEN
0988221041	BLACK
0988221040	WHITE
PART NUMBER ASSEMBLY PART	COLOR



DATUM MONTH/YEAR

SUPPLIER ENGINEERING CONTROL ID



SUPPLIER PART NUMBER

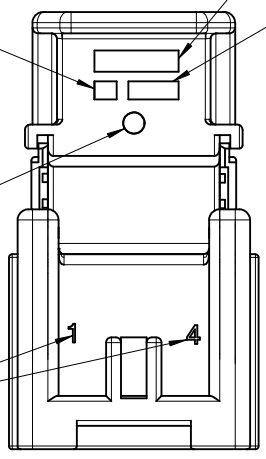
PRINT NUMBER

RAW MATERIAL

BLACK CODING (P/N 0988221041) IS SHOWN.

SUPPLIER MODIFICATION LEVEL

CAVITY NUMBER



B	SCC Pin Conn 1.5x0.8 TPA 4Ckt	0988220144	Yellow	POLYAMIDE >PA66-GF20<	5.370	
A	SCC Pin Conn Unsealed 1.5x0.8 4Ckt	0988220045	Green	POLYESTER >PBT<		
		0988220041	Black			
		0988220040	White			
Item	Description	Part-number	Color	Raw Material	Weight effective (g)	
FIRST RELEASE EC NO: G2012-0092 DRAWN: LPOUCHAUD 2009/03/02 CHKD: VJOUAS 2012/01/31 APPR: OPLESSIS 2012/01/31	QUALITY SYMBOLS ▽=0 ▽=0 ▽=0	GENERAL TOLERANCES (UNLESS SPECIFIED) mm INCH 4 PLACES ± --- ± --- 3 PLACES ± --- ± --- 2 PLACES ± --- ± --- 1 PLACE ± 0.1 ± --- ANGULAR ± 1°	DIMENSION STYLE MM ONLY	SCALE 3:1	DESIGN UNITS METRIC	FIRST ANGLE PROJECTION
	DRAFT WHERE APPLICABLE MUST REMAIN WITHIN DIMENSIONS	DRAWN BY LPOUCHAUD	DATE 2009/03/02	TITLE NSSC PIN CONN 1.5 4CKT		
		CHECKED BY YIGEL	DATE 2009/03/02	MOLEX INCORPORATED		
		APPROVED BY OPLESSIS	DATE 2012/01/31	SD-98822-005		
		MATERIAL NO.	DOCUMENT NO.	SHEET NO. 2 OF 2		
		THIS DRAWING CONTAINS INFORMATION THAT IS PROPRIETARY TO MOLEX INCORPORATED AND SHOULD NOT BE USED WITHOUT WRITTEN PERMISSION				