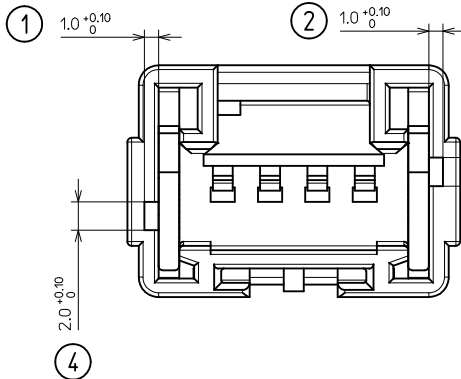
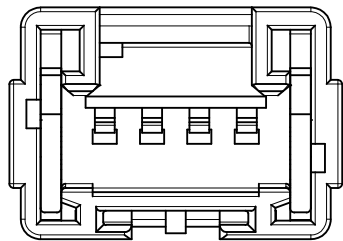


WHITE CODING  
P/N 0988221040



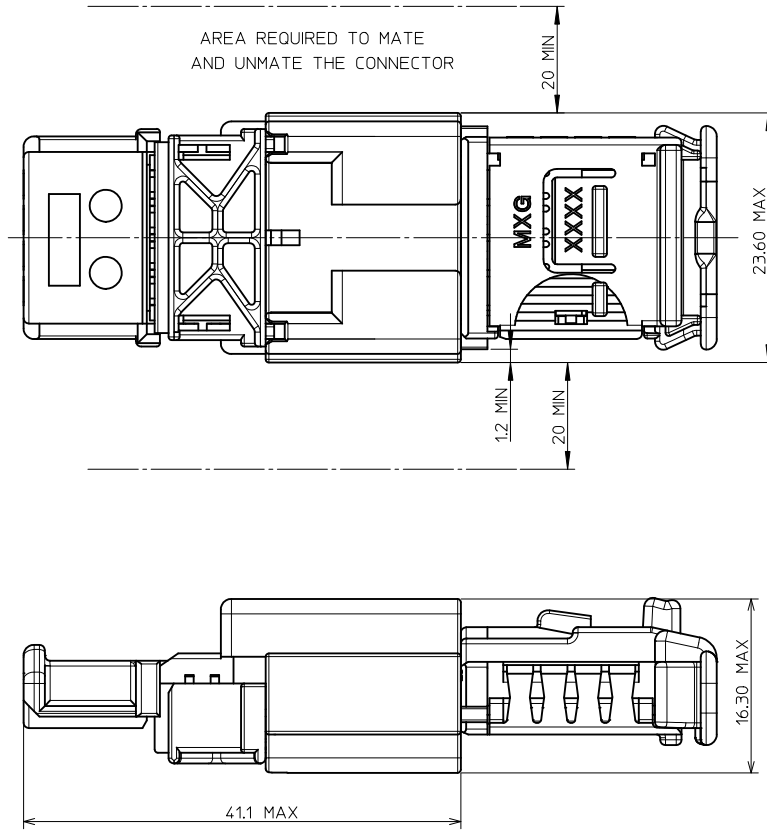
BLACK CODING  
P/N 0988221041



GREEN CODING  
P/N 0988221045

CODING 4:1

HANDLING AREA

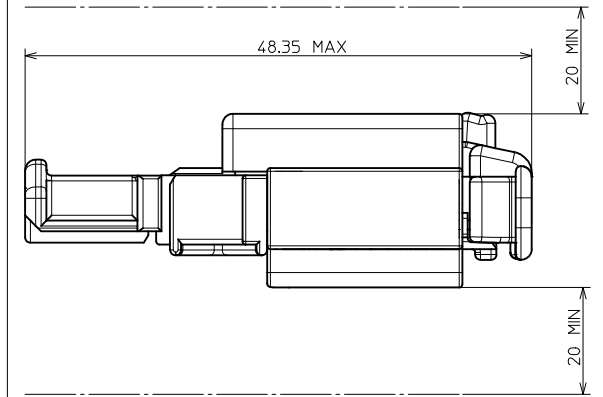


NOTE : 1 - The using conditions are shown in the MOLEX specification n°AS-98821-001.

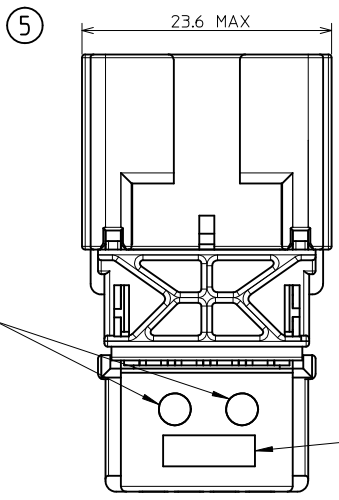
2 - Male terminal used : SICMA 3 1.5mm

3 - Male connector will mate with female connector P/N 098817104x

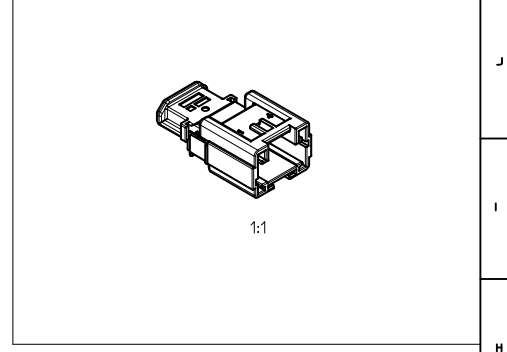
AREA REQUIRED WHEN THE CONNECTOR IS MATED



<b>FIRST RELEASE</b> EC NO: G2012-0092 DRAWN: LPOUCHAUD 2009/03/02 CHKD: VLOJAS 2012/01/09 APPR: OPLESSIS 2012/01/31	QUALITY SYMBOLS 	GENERAL TOLERANCES (UNLESS SPECIFIED)		DIMENSION STYLE <b>MM ONLY</b>	SCALE <b>3:1</b>	DESIGN UNITS <b>METRIC</b>	FIRST ANGLE PROJECTION	
		4 PLACES ± --- ± ---	mm INCH	DRAWN BY LPOUCHAUD	DATE 2009/03/02	TITLE <b>NSCC PIN CONN 1.5 4KT</b>		
		3 PLACES ± --- ± ---		CHECKED BY YIGEL	DATE 2009/03/02	MOLEX INCORPORATED		
		2 PLACES ± --- ± ---		APPROVED BY OPLESSIS	DATE 2012/01/31	MATERIAL NO. <b>SEE SHEET 2</b>	DOCUMENT NO. <b>SD-98822-005</b>	SHEET NO. <b>1 OF 2</b>
1 PLACE ± 0.1 ± ---		ANGULAR ± 1 °		THIS DRAWING CONTAINS INFORMATION THAT IS PROPRIETARY TO MOLEX INCORPORATED AND SHOULD NOT BE USED WITHOUT WRITTEN PERMISSION				
DRAFT WHERE APPLICABLE MUST REMAIN WITHIN DIMENSIONS								

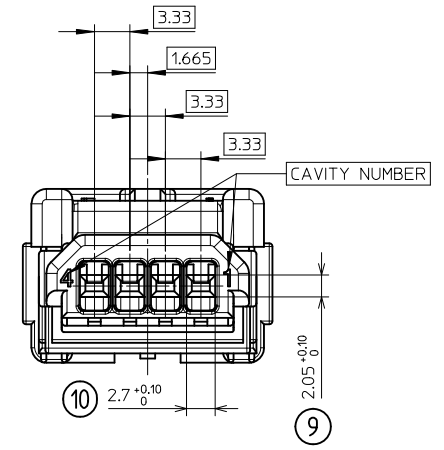
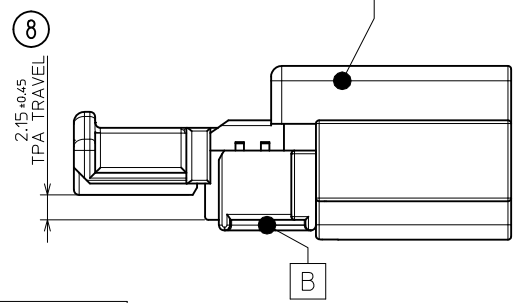
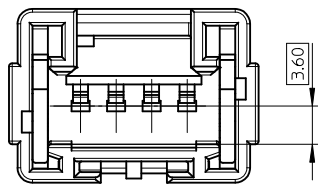
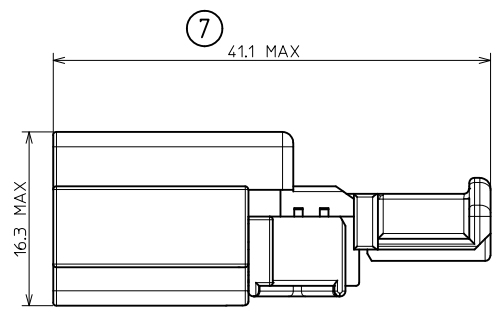


0988221045	GREEN
0988221041	BLACK
0988221040	WHITE
PART NUMBER ASSEMBLY PART	COLOR



DATUM MONTH/YEAR

SUPPLIER ENGINEERING CONTROL ID

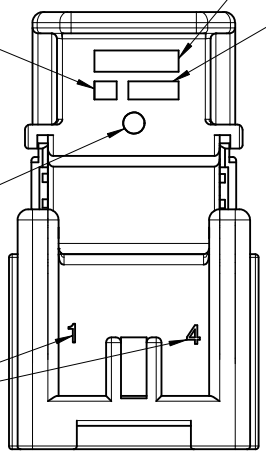


SUPPLIER PART NUMBER  
PRINT NUMBER  
RAW MATERIAL

BLACK CODING (P/N 0988221041) IS SHOWN.

SUPPLIER MODIFICATION LEVEL

CAVITY NUMBER



B	SCC Pin Conn 1.5x0.8 TPA 4Ckt	0988220144	Yellow	POLYAMIDE >PA66-GF20<	5.370															
A	SCC Pin Conn Unsealed 1.5x0.8 4Ckt	0988220045	Green	POLYESTER >PBT<																
		0988220041	Black																	
		0988220040	White																	
Item	Description	Part-number	Color	Raw Material	Weight effective (g)															
<b>FIRST RELEASE</b> EC NO: G2012-0092 DRAWN: LPOUCHAUD 2009/03/02 CHKD: VJOUAS 2012/01/31 APPR: OPLESSIS 2012/01/31		<b>QUALITY SYMBOLS</b> $\nabla=0$ $\nabla=0$ $\nabla=0$		<b>GENERAL TOLERANCES (UNLESS SPECIFIED)</b> <table border="1"> <tr> <th></th> <th>mm</th> <th>INCH</th> </tr> <tr> <td>4 PLACES</td> <td>± 0.15</td> <td>± 0.006</td> </tr> <tr> <td>3 PLACES</td> <td>± 0.20</td> <td>± 0.008</td> </tr> <tr> <td>2 PLACES</td> <td>± 0.30</td> <td>± 0.012</td> </tr> <tr> <td>1 PLACE</td> <td>± 0.40</td> <td>± 0.016</td> </tr> </table>			mm	INCH	4 PLACES	± 0.15	± 0.006	3 PLACES	± 0.20	± 0.008	2 PLACES	± 0.30	± 0.012	1 PLACE	± 0.40	± 0.016
	mm	INCH																		
4 PLACES	± 0.15	± 0.006																		
3 PLACES	± 0.20	± 0.008																		
2 PLACES	± 0.30	± 0.012																		
1 PLACE	± 0.40	± 0.016																		
<b>DRAFT WHERE APPLICABLE MUST REMAIN WITHIN DIMENSIONS</b>		<b>DIMENSION STYLE</b> MM ONLY		SCALE 3:1	DESIGN UNITS METRIC															
DRAWN BY: LPOUCHAUD CHECKED BY: YIGEL APPROVED BY: OPLESSIS		DATE: 2009/03/02 DATE: 2009/03/02 DATE: 2012/01/31		TITLE NSCC PIN CONN 1.5 4CKT																
MATERIAL NO. A2		SEE CHART		MOLEX INCORPORATED SD-98822-005																
FIRST RELEASE		THIS DRAWING CONTAINS INFORMATION THAT IS PROPRIETARY TO MOLEX INCORPORATED AND SHOULD NOT BE USED WITHOUT WRITTEN PERMISSION		SHEET NO. 2 OF 2																