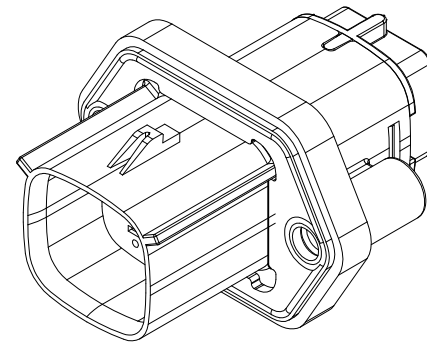
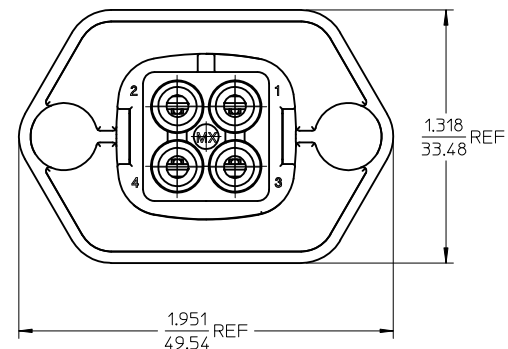
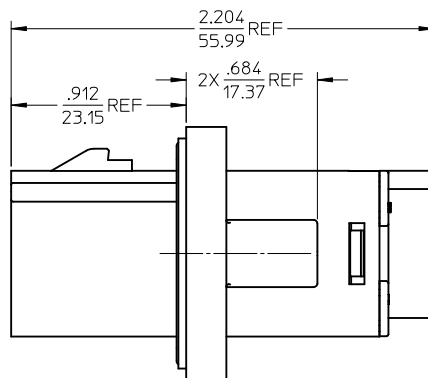
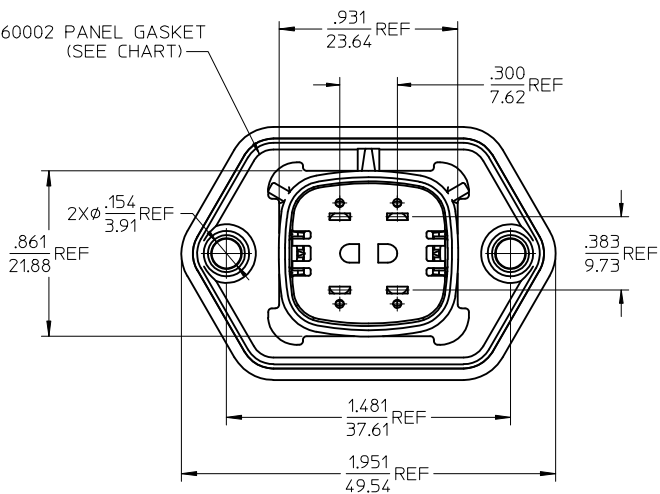


RECOMMENDED PANEL MOUNT
OPENING, MAXIMUM PANEL
THICKNESS .080/2.03



194360002 PANEL GASKET
(SEE CHART)



NOTES:

- MATERIALS:
HOUSING: POLYESTER (PBT), GLASS FILLED, UL94 V-0,
COLOR: BLACK
TERMINALS: COPPER ALLOY
GASKET: EPDM RUBBER
- PRODUCT SPECIFICATION: PS-19432-001
- PACKAGING SPECIFICATION: PK-19436-001
GASKETS, IF REQUIRED FOR THE ASSEMBLIES, ARE BULK PACKAGED IN A SEPARATE BAG.
- USE WITH MALE CRIMP TERMINAL SERIES 19431.
- MATES WITH 19432 SERIES RECEPTACLE ASSEMBLIES.
- RECOMMENDED MOUNTING HARDWARE: (2) #10 X .62/15.8 LONG PLASTIC THREAD CUTTING SCREWS, RECOMMENDED TORQUE 15-17 IN.-LBS. SUGGESTED SOURCE: ITW SHAKEPROOF INDUSTRIAL BOSSCREW OR EQUIVALENT.
- ASSEMBLY IS ROHS COMPLIANT.

19436-0414	8	NO
19436-0413	12-10	
19436-0412	8	YES
19436-0411	12-10	
MATERIAL NUMBER	WIRE AWG	PANEL GASKET

UPDATE GASKET MATL & GASKET PKG EC NO: IPG2012-0303 DRW:WLEUNG 2012/02/20 CHKD: DTITUS APPR:DTITUS 2012/02/28	QUALITY SYMBOLS ▽=0 ▽=0	GENERAL TOLERANCES (UNLESS SPECIFIED)		DIMENSION STYLE		SCALE	DESIGN UNITS	THIRD ANGLE PROJECTION
				IN/MM		2:1	INCH	
		DRAWN BY DATE		DATE		TITLE		
		DRAFT WHERE APPLICABLE MUST REMAIN WITHIN DIMENSIONS		APPROVED BY DATE		MOLEX INCORPORATED		
		ANGULAR ± 1°		MATERIAL NO.		DOCUMENT NO.		SHEET NO.
				SEE CHART		SD-19436-002		1 OF 1
THIS DRAWING CONTAINS INFORMATION THAT IS PROPRIETARY TO MOLEX INCORPORATED AND SHOULD NOT BE USED WITHOUT WRITTEN PERMISSION								