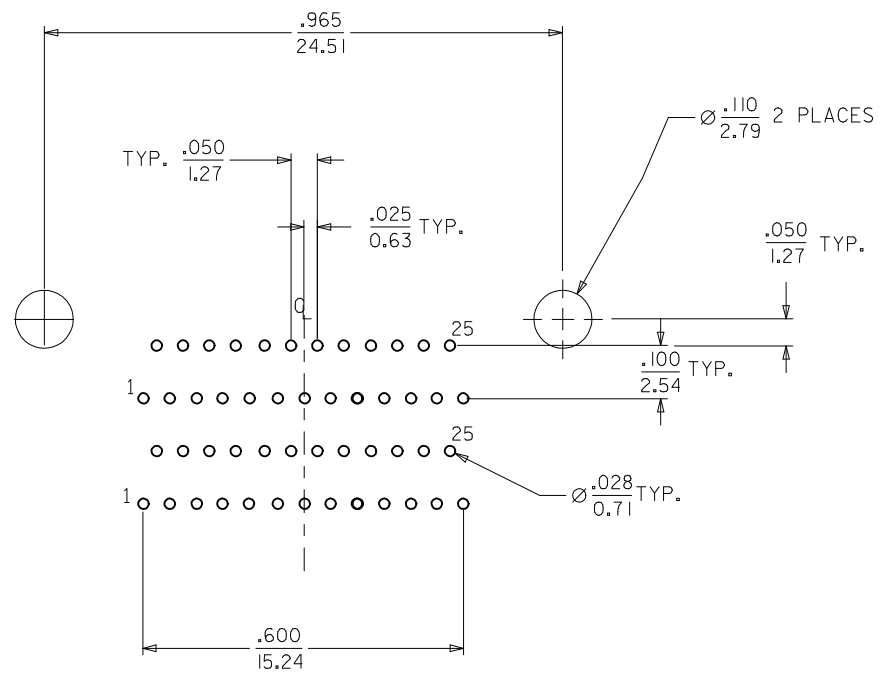


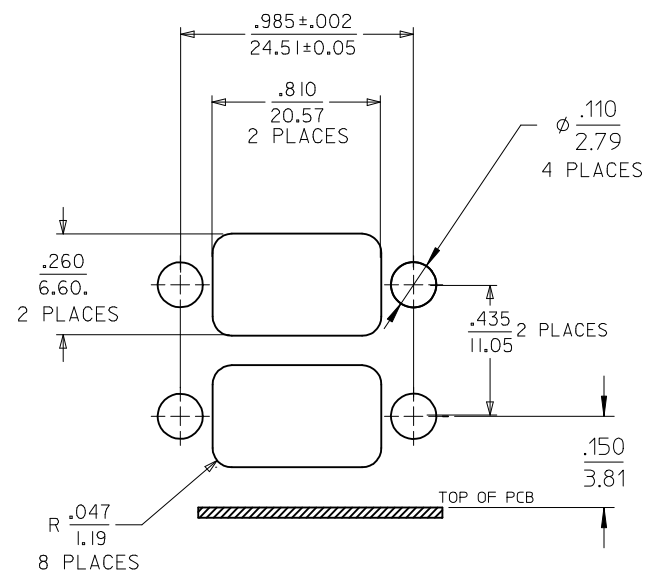
SALES DRAWING

1. MARKING: NONE.
2. SEE SHEET 2 FOR PCB LAYOUT AND PANEL CUT-OUT DIMENSIONS.
NOTES: UNLESS OTHERWISE SPECIFIED.

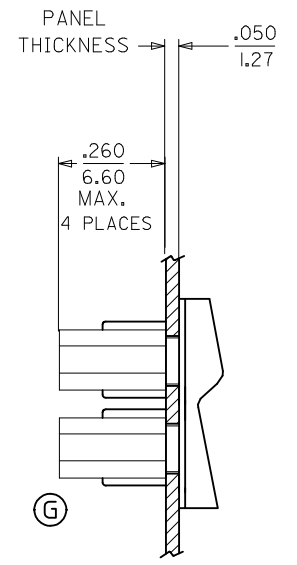
UPDATE DIM EC NO: WNA2010-0136 DR: WINKRUPERT 2009/08/26 CHK: DRUPERT 2009/08/26 APPR: JFMURPHY 2009/09/22	QUALITY SYMBOLS	GENERAL TOLERANCES (UNLESS SPECIFIED)		DIMENSION STYLE IN/MM		SCALE 2:1	DESIGN UNITS INCH	THIRD ANGLE PROJECTION	
	$\nabla=0$ $\nabla=0$	4 PLACES ± --- ± --- 3 PLACES ± --- ± .005 2 PLACES ± 0.13 ± .01 1 PLACE ± 0.25 ± ---	mm INCH	DRAWN BY JLOMASTR DATE 04/09/22	TITLE DUAL CONNECTOR PLUG COMM. MICRO D PLUG R/A SIZE 25				
		ANGULAR ± 1/2°		CHECKED BY RDEROSS DATE 04/09/28	MOLEX INCORPORATED				
				APPROVED BY JFMURPHY DATE 2009/08/26	MATERIAL NO. 836199011		DOCUMENT NO. SD-83619-007		
		DRAFT WHERE APPLICABLE MUST REMAIN WITHIN DIMENSIONS		THIS DRAWING CONTAINS INFORMATION THAT IS PROPRIETARY TO MOLEX INCORPORATED AND SHOULD NOT BE USED WITHOUT WRITTEN PERMISSION					



**RECOMMENDED
P.C.B. LAY-OUT
SOLDER SIDE (E)**



**RECOMMENDED
PANEL CUT-OUT**



REDRAWN EC NO: WNA2010-0136 DRWN: BRUPERT 2009/08/26 CHKD: BRUPERT 2009/08/26 APPR: JFMURPHY 2009/09/22	DESCRIPTION REV	QUALITY SYMBOLS ▽=0 ◻=0	GENERAL TOLERANCES (UNLESS SPECIFIED)		DIMENSION STYLE IN/MM		SCALE 2:1	DESIGN UNITS INCH	THIRD ANGLE PROJECTION	
		4 PLACES ± --- ± --- 3 PLACES ± --- ± .005 2 PLACES ± 0.13 ± .01 1 PLACE ± 0.25 ± --- ANGULAR ± 1/2°	mm INCH	DRAWN BY JLOMASTR	DATE 04/09/22	TITLE DUAL CONNECTOR PLUG COMM. MICRO D PLUG R/A SIZE 25				
		DRAFT WHERE APPLICABLE MUST REMAIN WITHIN DIMENSIONS	APPROVED BY JFMURPHY	DATE 2009/08/26	MOLEX INCORPORATED					
		MATERIAL NO. 836199011	DOCUMENT NO. SD-83619-007	SHEET NO. 2 OF 2						