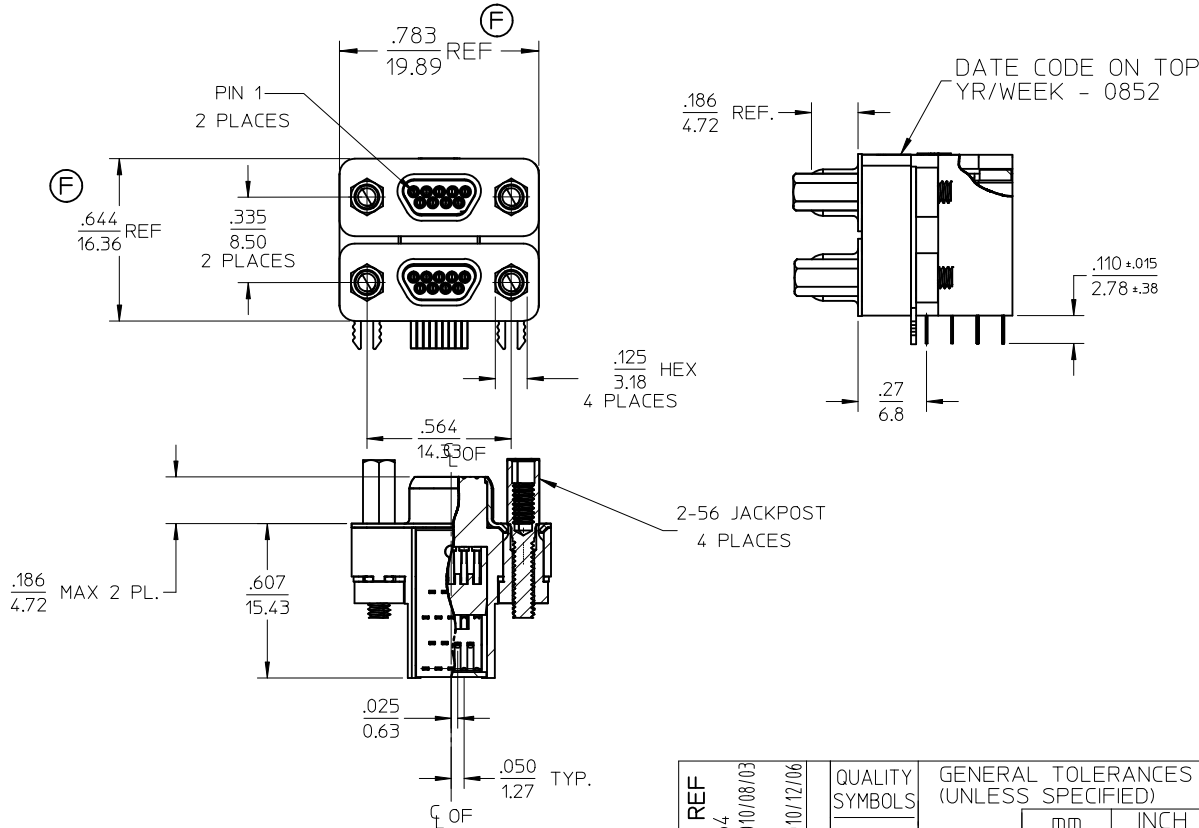
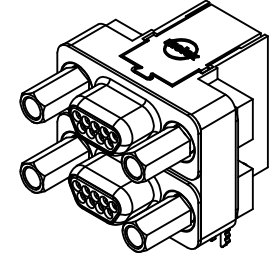
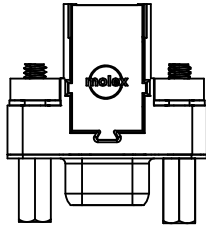


MATERIAL NO.	ENGINEERING NO.
836199003	83619-9003

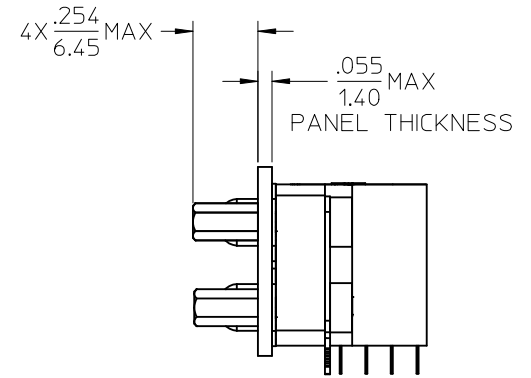
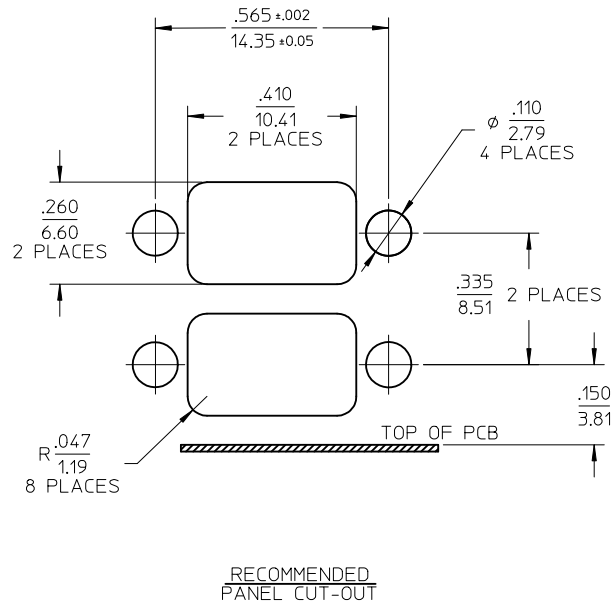
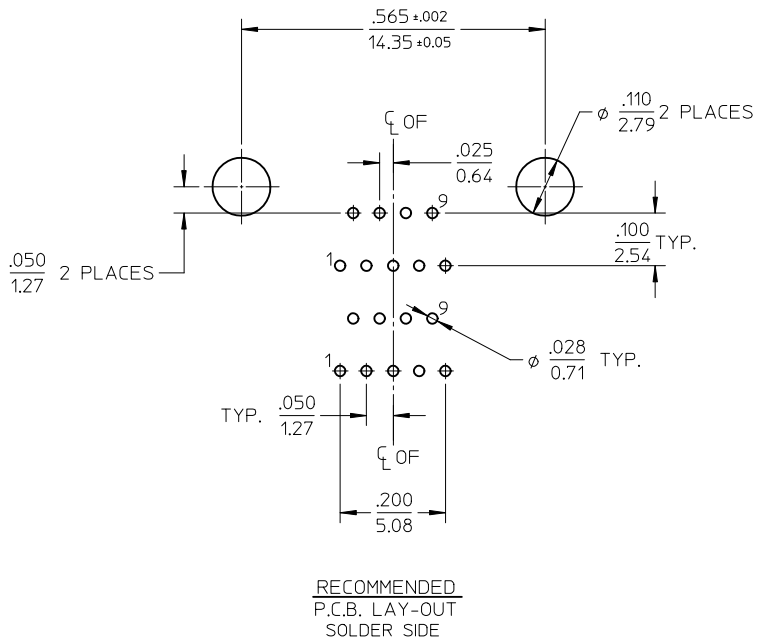


SALES DRAWING

- 4. RoHS COMPLIANT
- 3. FOR PRODUCT SPEC SEE PS-83421-001
- 2. SEE SHEET 2 OF 2 FOR P.C.B. LAYOUT AND PANEL CUT-OUT DIMENSIONS.
- 1. MARKING: NONE.
- NOTES UNLESS OTHERWISE SPECIFIED

UPDATE DIM TO REF EC NO: WNA2011-0064 DRWN: BRUPERT 2010/08/03 CHYD: APPR: JFMURPHY 2010/12/06 REV	QUALITY SYMBOLS	GENERAL TOLERANCES (UNLESS SPECIFIED)	DIMENSION STYLE	SCALE	DESIGN UNITS	THIRD ANGLE PROJECTION	
	$\nabla=0$ $\sphericalangle=0$	mm INCH 4 PLACES ± --- ± --- 3 PLACES ± --- ± .005 2 PLACES ± 0.13 ± .01 1 PLACE ± 0.25 ± --- ANGULAR ± 1/2°	IN/MM	2:1	INCH		
			DRAWN BY: JLOMASTR DATE: 04/09/20 CHECKED BY: DATE: RDEROSS 04/09/27 APPROVED BY: DATE: JFMURPHY 2010/12/06	TITLE	DUAL CONN PLG RT ANG, COMM-D, SIZE 9		
			MATERIAL NO. SEE CHART SIZE: A3 THIS DRAWING CONTAINS INFORMATION THAT IS PROPRIETARY TO MOLEX INCORPORATED AND SHOULD NOT BE USED WITHOUT WRITTEN PERMISSION	MOLEX INCORPORATED DOCUMENT NO. SD-83619-008 SHEET NO. 1 OF 2			

10	9	8	7	6	5	4	3	2	1
MATERIAL NO.	ENGINEERING NO.								
836199003	83619-9003								



REDRAWN EC NO: WNA2011-0064 DRAWN: BRUPERT 2010/08/03 CHKD: APPR: JFMURPHY 2010/12/06 REV DESCRIPTION	QUALITY SYMBOLS	GENERAL TOLERANCES (UNLESS SPECIFIED) <table border="1"> <tr> <td></td> <td>mm</td> <td>INCH</td> </tr> <tr> <td>4 PLACES</td> <td>± .005</td> <td>± .0005</td> </tr> <tr> <td>3 PLACES</td> <td>± .005</td> <td>± .0005</td> </tr> <tr> <td>2 PLACES</td> <td>± 0.13</td> <td>± .01</td> </tr> <tr> <td>1 PLACE</td> <td>± 0.25</td> <td>± .01</td> </tr> </table> ANGULAR ± 1/2°		mm	INCH	4 PLACES	± .005	± .0005	3 PLACES	± .005	± .0005	2 PLACES	± 0.13	± .01	1 PLACE	± 0.25	± .01	DIMENSION STYLE IN/MM	SCALE 2:1	DESIGN UNITS INCH	THIRD ANGLE PROJECTION		
			mm	INCH																			
	4 PLACES		± .005	± .0005																			
	3 PLACES		± .005	± .0005																			
2 PLACES	± 0.13	± .01																					
1 PLACE	± 0.25	± .01																					
	<table border="1"> <tr> <td>DRAWN BY</td> <td>DATE</td> <td>TITLE</td> </tr> <tr> <td>JLOMASTR</td> <td>04/09/20</td> <td>DUAL CONN PLG RT ANG, COMM-D, SIZE 9</td> </tr> <tr> <td>CHECKED BY</td> <td>DATE</td> <td></td> </tr> <tr> <td>RDEROSS</td> <td>04/09/27</td> <td></td> </tr> <tr> <td>APPROVED BY</td> <td>DATE</td> <td></td> </tr> <tr> <td>JFMURPHY</td> <td>2010/12/06</td> <td></td> </tr> </table>	DRAWN BY	DATE	TITLE	JLOMASTR	04/09/20	DUAL CONN PLG RT ANG, COMM-D, SIZE 9	CHECKED BY	DATE		RDEROSS	04/09/27		APPROVED BY	DATE		JFMURPHY	2010/12/06					
DRAWN BY	DATE	TITLE																					
JLOMASTR	04/09/20	DUAL CONN PLG RT ANG, COMM-D, SIZE 9																					
CHECKED BY	DATE																						
RDEROSS	04/09/27																						
APPROVED BY	DATE																						
JFMURPHY	2010/12/06																						
	DRAFT WHERE APPLICABLE MUST REMAIN WITHIN DIMENSIONS	MATERIAL NO. SEE CHART	MOLEX INCORPORATED DOCUMENT NO. SD-83619-008	SHEET NO. 2 OF 2																			
		SIZE A3	THIS DRAWING CONTAINS INFORMATION THAT IS PROPRIETARY TO MOLEX INCORPORATED AND SHOULD NOT BE USED WITHOUT WRITTEN PERMISSION																				