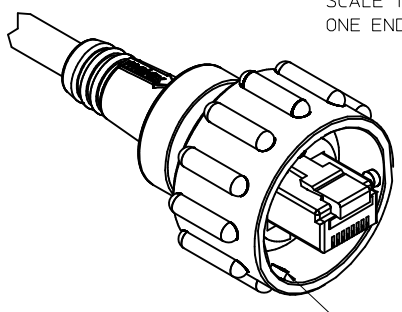
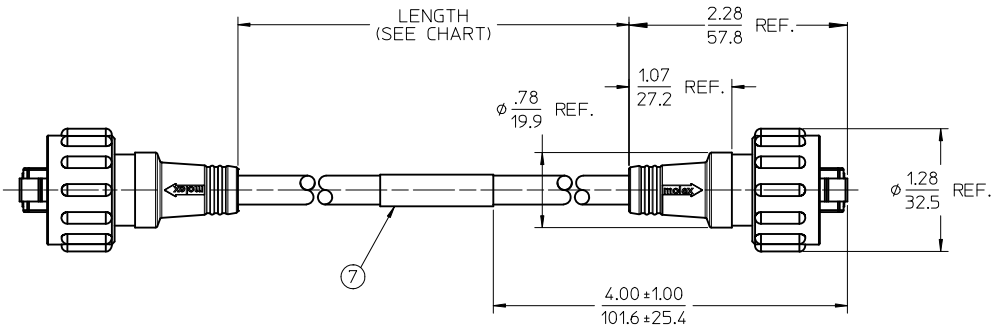


MATERIAL NO.	LENGTH	REF. OVERALL LENGTH
847021001	1'0" +1/4"-0 [.3M +6.4mm-0]	1' 4.5" [.4M]
847021003	3'0" +3/4"-0 [.9M +19mm-0]	3' 4.5" [1M]
847021006	6'0" +1 1/2"-0 [1.8M +38mm-0]	6' 4.5" [1.9M]
847021007	7'0" +1 3/4"-0 [2.1M +44mm-0]	7' 4.5" [2.2M]
847021009	9' 4.5" [2.8M]	9' 4.5" [2.8M]
847021010	10' 0" +2 1/2"-0 [3.0M +64mm-0]	10' 4.5" [3.2M]
847021012	12' 0" +3"-0 [3.7M +76mm-0]	12' 4.5" [3.8M]
847021015	15' 0" +3 3/4"-0 [4.6M +95mm-0]	15' 4.5" [4.7M]
847021016	16' 5" +4.0"-0 [5.0M +102mm-0]	16' 10" [5.1M]
847021020	20' 0" +5"-0 [6.1M +127mm-0]	20' 4.5" [6.2M]
847021021	21' 0" +5 1/4"-0 [6.4M +133mm-0]	21' 4.5" [6.5M]
847021030	30' 0" +12.5"-0 [9.1M +318mm-0]	30' 4.5" [9.3M]
847021050	50' 0" +24.5"-0 [15M +622mm-0]	50' 4.5" [15.1M]
847021100	100' 0" +24.5"-0 [30.5M +622mm-0]	100' 4.5" [30.6M]



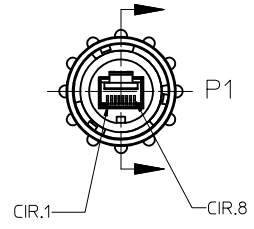
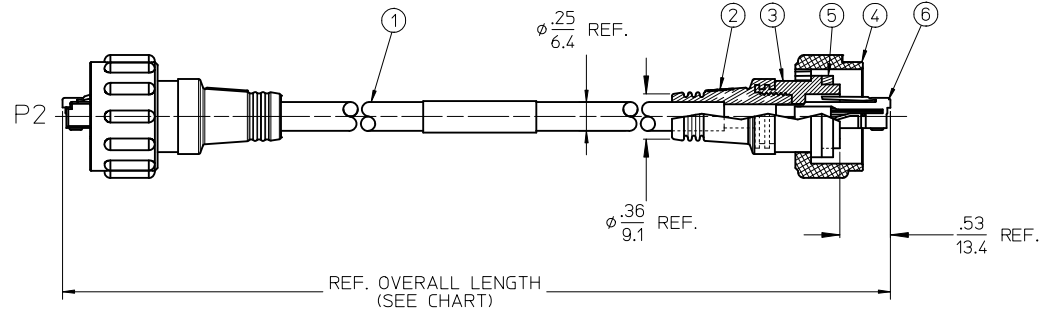
AUX. VIEW
SCALE 1.5:1
ONE END SHOWN

BAYONET LOCKING TABS



NOTES:

1. MATERIAL: SEE TABLE
2. FINISHES: SEE TABLE
3. PRODUCT SPECIFICATION: PPS.84.006
4. MATES WITH BAYONET STYLE RJ-45 JACK ASSEMBLIES
5. CABLE IS UL RATED TYPE MPR/CMR
6. COUPLING RING AND HOLDER MEET UL 746C/UV
7. ASSEMBLY IS RoHS COMPLIANT



P2		P1
1	WHITE-ORANGE	1
2	ORANGE	2
3	WHITE-GREEN	3
4	BLUE	4
5	WHITE-BLUE	5
6	GREEN	6
7	WHITE-BROWN	7
8	BROWN	8
9	DRAIN	9

RJ-45 PLUG RJ-45 PLUG

ITEM	QTY	DESCRIPTION	MATERIAL	FINISH
7	1	WRAP LABEL	PLASTIC FILM	BLACK/YELLOW
6	2	RJ-45 PLUG, SHIELDED	PER VENDOR SPEC.	GOLD PL. CONTACTS
5	2	GASKET SEAL	NITRILE	BLACK
4	2	RJ-45 COUPLING RING	POLYESTER	BLACK
3	2	RJ-45 HOLDER	POLYESTER	BLACK
2	2	OVERMOLD BODY	PVC	BLACK
1	SEE CHART	CABLE, UTP, 4P, 24 AWG, CAT 6	PVC JACKET	GRAY

CABLE WAS BLACK
EC NO: MNA2012-0171
DRAWN BY: DRWINRSTONE 2011/09/23
CHKD BY: CHKD.V. DU 2011/09/26
APPR: JFMURPHY 2012/01/24

QUALITY SYMBOLS	GENERAL TOLERANCES (UNLESS SPECIFIED)	
	mm	INCH
▽=0	4 PLACES ± ---	± ---
▽=0	3 PLACES ± ---	± ---
	2 PLACES ± ---	± .01
	1 PLACE ± 0.25	± ---
	ANGULAR ± 1/2°	

DRAFT WHERE APPLICABLE MUST REMAIN WITHIN DIMENSIONS

DIMENSION STYLE IN/MM
DRAWN BY: SGILBERT DATE: 2003/08/18
CHECKED BY: PWALTZ DATE: 2003/08/18
APPROVED BY: JFMURPHY DATE: 2009/12/15
MATERIAL NO. SEE CHART
SIZE C

SCALE 1:1 DESIGN UNITS INCH THIRD ANGLE PROJECTION
TITLE: CORD ASSEMBLY, RJ-45 MALE BAYONET DBL ENDED, INDUSTRIAL ETHERNET
MOLEX MOLEX INCORPORATED
DOCUMENT NO. SD-84702-001 SHEET NO. 1 OF 1
THIS DRAWING CONTAINS INFORMATION THAT IS PROPRIETARY TO MOLEX INCORPORATED AND SHOULD NOT BE USED WITHOUT WRITTEN PERMISSION