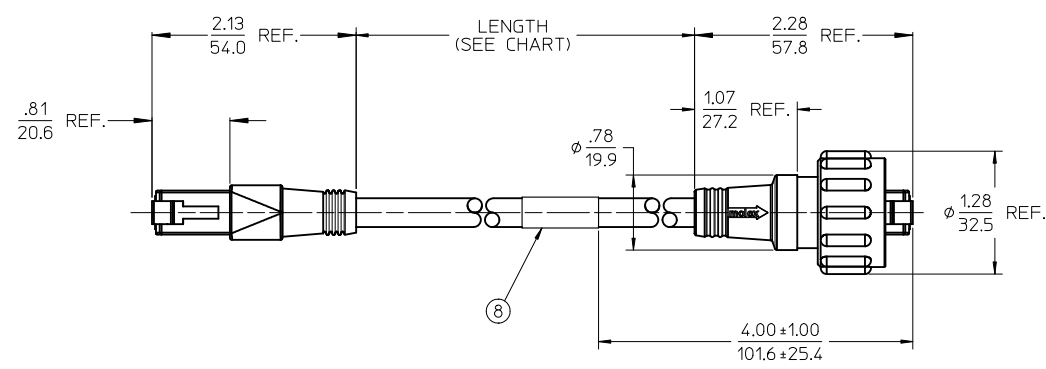
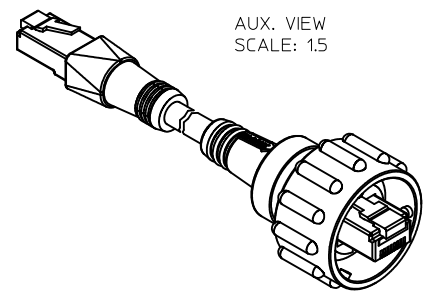
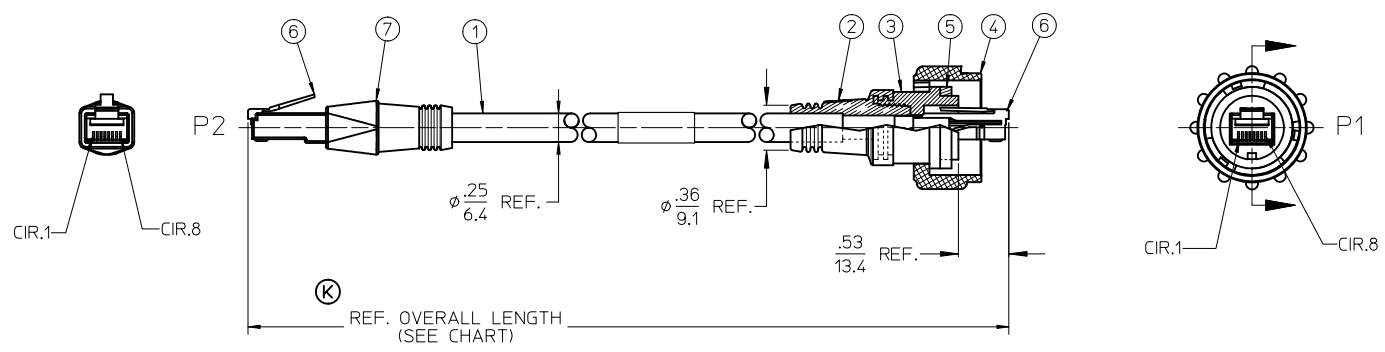


MATERIAL NO.	FINISHED LENGTH	REF. OVERALL LENGTH
847022001	1'0" +1/4"-0 [.3M +6.4mm-0]	1'4" [.4M]
847022003	3'0" +3/4"-0 [.9M +19mm-0]	3'4" [1.0M]
847022006	6'0" +1 1/2"-0 [1.8M +38mm-0]	6'4" [1.9M]
847022007	7'0" +1 3/4"-0 [2.1M +44mm-0]	7'4" [2.2M]
847022009	9' 0" +2 1/2"-0 [2.74M +64mm -0]	9' 4" [2.9M]
847022010	10' 0" +2 1/2"-0 [3.0M +64mm-0]	10' 4" [3.2M]
847022012	12' 0" +3"-0 [3.7M +76mm-0]	12' 4" [3.8M]
847022015	15' 0" +3 3/4"-0 [4.6M +95mm-0]	15' 4" [4.7M]
847022020	20' 0" +5"-0 [6.1M +127mm-0]	20' 4" [6.2M]
847022021	21' 0" +5 1/4"-0 [6.4M +133mm-0]	21' 4" [6.5M]
847022030	30' 0" +7 1/2"-0 [9.1M +191MM-0]	30' 4" [9.3M]
847022050	50' 0" +12 1/2"-0 [15.2M +318MM-0]	50' 4" [15.4M]



- NOTES:
1. MATERIAL: SEE TABLE
 2. FINISHES: SEE TABLE
 3. PRODUCT SPECIFICATION: PPS.84.006
 4. MATES WITH STANDARD & BAYONET STYLE RJ-45 JACK ASSEMBLIES
 5. CABLE IS UL RATED TYPE MPR/CMR
 6. COUPLING RING AND HOLDER MEET UL 746C/UV
 7. ASSEMBLY IS RoHS COMPLIANT.



WIRING DIAGRAM

P2		P1
1	WHITE-ORANGE	1
2	ORANGE	2
3	WHITE-GREEN	3
4	BLUE	4
5	WHITE-BLUE	5
6	GREEN	6
7	WHITE-BROWN	7
8	BROWN	8

RJ-45 PLUG RJ-45 PLUG

8	1	WRAP LABEL	PLASTIC FILM	BLACK/YELLOW
7	1	RJ-45 PLUG OVERMOLD	PVC	BLACK
6	2	RJ-45 PLUG, SHIELDED	PER VENDOR SPEC.	GOLD PL. CONTACTS
5	1	GASKET SEAL	NITRILE	BLACK
4	1	RJ-45 COUPLING RING	POLYESTER	BLACK
3	1	RJ-45 HOLDER	POLYESTER	BLACK
2	1	OVERMOLD BODY	PVC	BLACK
1	SEE CHART	CABLE, UTP, 4P, 24 AWG, CAT 6	PVC JACKET	GRAY
ITEM	QTY	DESCRIPTION	MATERIAL	FINISH

CABLE WAS BLACK. ADD OVERALL LENGTH EC NO: WNA2012-0171	2011/09/23	DRWRNSTONE
2011/09/26	CHKD.V. DU	2011/09/26
2012/01/24	APPR:JFMURPHY	2012/01/24
DESCRIPTION	REV	

QUALITY SYMBOLS	GENERAL TOLERANCES (UNLESS SPECIFIED)	
	mm	INCH
▽=0	4 PLACES ± ---	± ---
▽=0	3 PLACES ± ---	± ---
	2 PLACES ± ---	± .01
	1 PLACE ± 0.25	± ---
	ANGULAR ±1/2°	

DRAFT WHERE APPLICABLE MUST REMAIN WITHIN DIMENSIONS

DIMENSION STYLE		SCALE	DESIGN UNITS	THIRD ANGLE PROJECTION
IN/MM		1:1	INCH	
DRAWN BY	DATE	TITLE		
S.GILBERT	2003/08/18	CORD ASSEMBLY, RJ-45 MALE BAYONET TO MALE NO DRAIN WIRE		
CHECKED BY	DATE	MOLEX INCORPORATED		
P.WALTZ	2003/08/18	SD-84702-002		
APPROVED BY	DATE	SHEET NO.		
JFMURPHY	2009/12/15	1 OF 1		
MATERIAL NO.	DOCUMENT NO.	THIS DRAWING CONTAINS INFORMATION THAT IS PROPRIETARY TO MOLEX INCORPORATED AND SHOULD NOT BE USED WITHOUT WRITTEN PERMISSION		
SEE CHART				