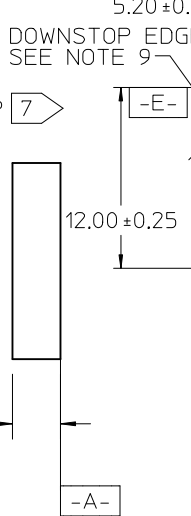
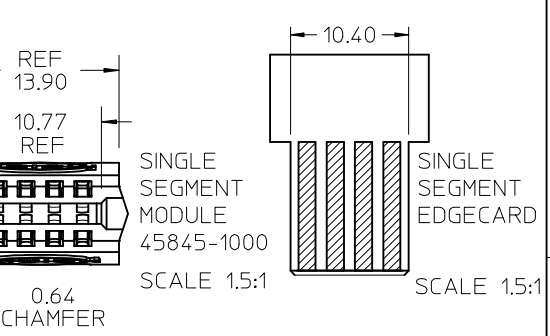
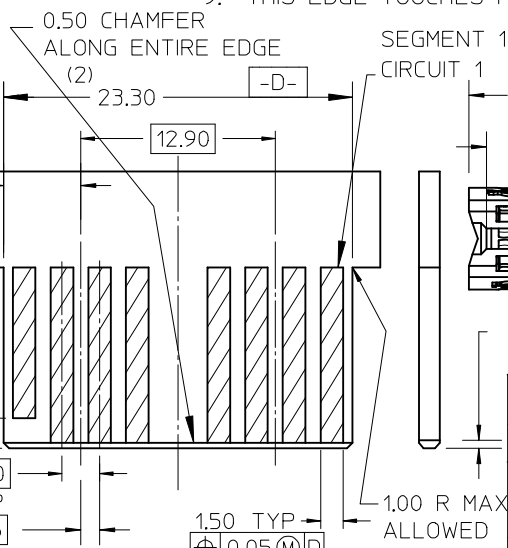


PCB LAYOUT: COMPONENT SIDE
*** = TO BE DETERMINED BY CUSTOMER

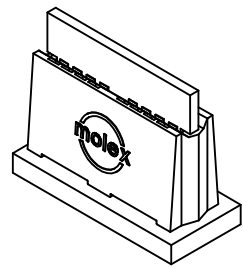


RECOMMENDED EDGE CARD LAYOUT
EDGE CARD THICKNESS: 1.57/0.62
PLATING: GOLD 30 μ INCHES MIN
OVER 150 μ INCHES NICKEL



- NOTES:
- MATERIAL: HOUSING 30% GF LCP, UL94V-0, BLACK
MATERIAL: TERMINAL C5210 ALLOY
 - FINISH: SELECT GOLD 30 μ IN MIN IN CONTACT AREA
100 μ IN MIN IN PC TAIL AREA
BOTH OVER NICKEL 50 μ IN OVERALL
 - PRODUCT SPECIFICATION: PS-45719-001.
 - PACKAGING SPECIFICATION: ES-45714-001.
 - DIMENSIONS GIVEN ACROSS CENTERLINES ARE SYMMETRICAL ABOUT THOSE CENTERLINES WITHIN HALF THE TOTAL TOLERANCE.
 - PCB THICKNESS: 2.36 MIN
EDGE CARD THICKNESS: 1.57±0.08
 - PCB HOLE SPECIFICATION: SEE PS-45719-001.
 - THIS PART IS RoHS COMPLIANT. SEE ES-45482-999 FOR LABEL REQUIREMENTS.
 - THIS EDGE TOUCHES HOUSING WHEN EDGE CARD IS FULLY SEATED

TOOLING STATUS	MATERIAL NUMBER	SEG MENTS	FINISH (SHT 2)	VOID LOCATIONS
TOOLED	45845-1000	1	1	NONE
TOOLED	45845-0001	2	1	NONE
TOOLED	45845-0002	3	1	NONE
TOOLED	45845-0003	4	1	NONE
TOOLED	45845-1001	2	1	SEG 1 CKT 4, 8
TOOLED	45845-1003	3	1	SEGS 1, 2 CKTS 3,7,12,16
TOOLED	45845-3001	2	1	SEG 1 CKTS 3,4,7,8

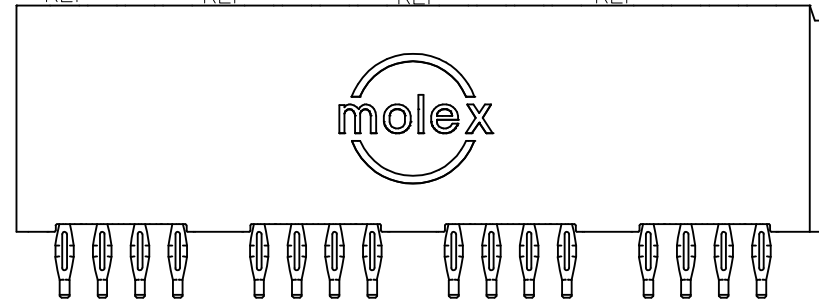
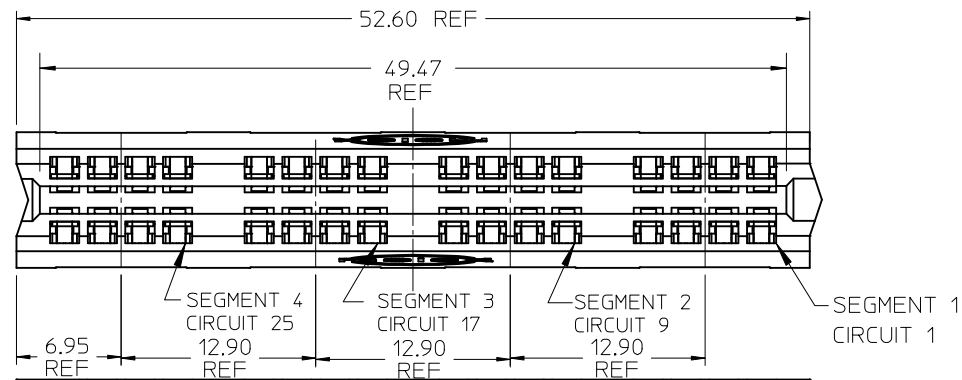


REVISE CHART VOID LOCS	2015/03/24	DESCRIPTION
EC NO: UCP2015-3755	2015/03/12	
DRWN: JSCHAFFER		
CHKD:		
APPR: APATEL		
M6		REV

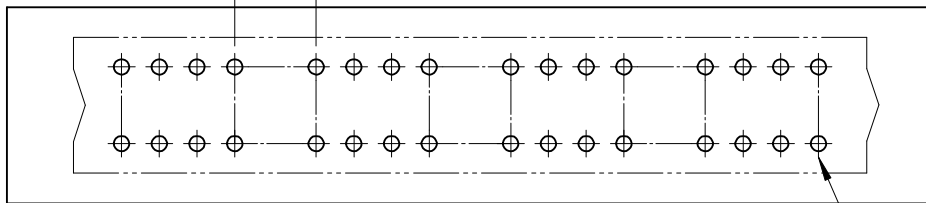
GENERAL TOLERANCES (UNLESS SPECIFIED)	
	mm INCH
4 PLACES	± --- ± ---
3 PLACES	± --- ± ---
2 PLACES	± 0.25 ± ---
1 PLACE	± --- ± ---
ANGULAR ± 1/2°	
DRAFT WHERE APPLICABLE MUST REMAIN WITHIN DIMENSIONS	

DIMENSION STYLE	
MM ONLY	
DRAWN BY	DATE
MARGULIS	2004/08/05
CHECKED BY	DATE
MARGULIS	2004/08/05
APPROVED BY	DATE
MARGULIS	2004/08/05
MATERIAL NUMBER	SEE CHART
SIZE	A

SCALE	2:1	DESIGN UNITS	METRIC	THIRD ANGLE PROJECTION
TITLE				
POWER EDGE ASSEMBLY SIGNAL VERTICAL CPI				
molex MOLEX INCORPORATED				
DOCUMENT NO.				SHEET NO.
SD-45845-001				1 OF 3
THIS DRAWING CONTAINS INFORMATION THAT IS PROPRIETARY TO MOLEX INCORPORATED AND SHOULD NOT BE USED WITHOUT WRITTEN PERMISSION				



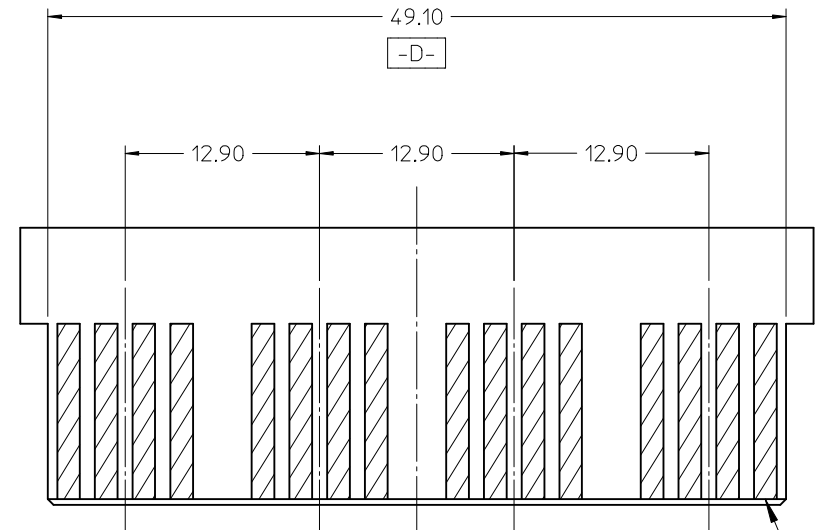
5.40
TYP 3



PCB LAYOUT: COMPONENT SIDE

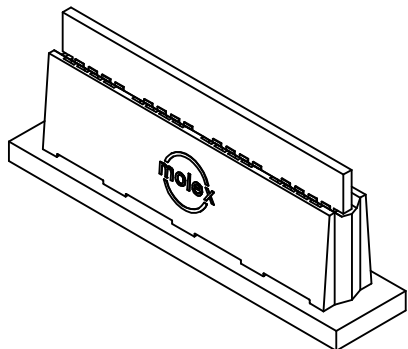
SEGMENT 1
CIRCUIT 1

NOTE
FOR ALL OTHER DIMENSIONS AND NOTES SEE SHEET 1.



SEGMENT 1
CIRCUIT 1

RECOMMENDED EDGE CARD LAYOUT
SEE SHT 1 FOR ADDITIONAL DETAIL
TOLERANCE: ±0.05



EC NO: UCP2015-3755	DRWN: JSCHAFFER	2015/03/12	CHKD: APATTEL	2015/03/24	DESCRIPTION
M6	REV				

GENERAL TOLERANCES (UNLESS SPECIFIED)	
	mm INCH
4 PLACES	± --- ± ---
3 PLACES	± --- ± ---
2 PLACES	± 0.25 ± ---
1 PLACE	± --- ± ---
ANGULAR ±1/2°	
DRAFT WHERE APPLICABLE MUST REMAIN WITHIN DIMENSIONS	

DIMENSION STYLE MM ONLY	
DRAWN BY	DATE
MARGULIS	2004/08/05
CHECKED BY	DATE
MARGULIS	2004/08/05
APPROVED BY	DATE
MARGULIS	2004/08/05
MATERIAL NUMBER SEE CHART	
SIZE A	THIS DRAWING CONTAINS INFORMATION THAT IS PROPRIETARY TO MOLEX INCORPORATED AND SHOULD NOT BE USED WITHOUT WRITTEN PERMISSION

SCALE 2:1	DESIGN UNITS METRIC	THIRD ANGLE PROJECTION
TITLE POWER EDGE ASSEMBLY SIGNAL VERTICAL CPI		
MOLEX INCORPORATED		
DOCUMENT NO. SD-45845-001	SHEET NO. 3 OF 3	