

DO NOT SCALE DRAWING DIMENSION IN METRIC

PROJECT NO.

SIMILAR ITEM

DWG. NO. SD 35274-0411

	P/NO.	PART NAME	MATERIAL
①	35274-0491	POWERMATE SP FEMALE HSG 4P	PBT BLACK COLOR
②	35275-0480	POWERMATE SP FEMALE TPA 4P	PBT NATURAL COLOR

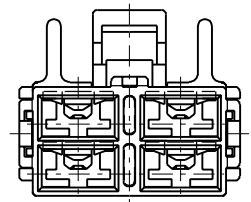
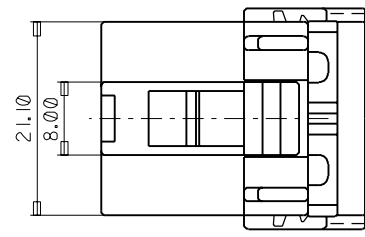
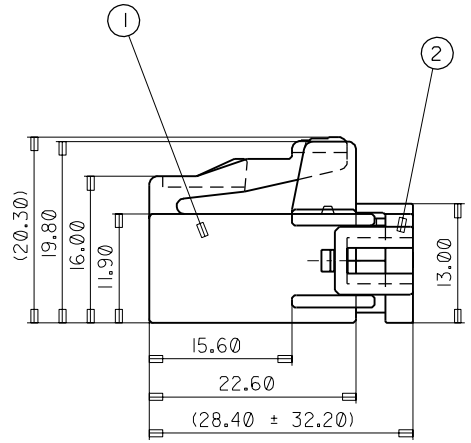
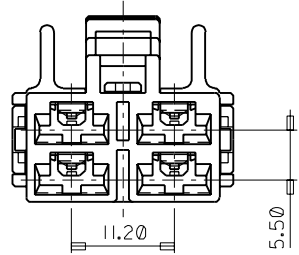
• APPLICABLE TERMINAL : 35427-97**98**99**
35430-1700, 1800, 1900

NEW RELEASE EC NO. KOR1998-0085 DRWN: J.K OH 98.6.2 CHK: J.K OH 98.6.2 APPR:	DESCRIPTION	QUALITY SYMBOLS
	REV	MAJOR CRITICAL C

GENERAL TOLERANCES: (UNLESS SPECIFIED)	
	mm INCH
4 PLACES	±0. ±.
3 PLACES	±0. ±.
2 PLACES	±0.3 ±.
1 PLACE	±0. ±.
ANGULAR: ±3 °	
DRAFT WHERE APPLICABLE MUST REMAIN WITHIN DIMENSIONS	

SCALE 2 : 1	DESIGN UNITS <input checked="" type="checkbox"/> mm <input type="checkbox"/> INCH
DRAWN BY & DATE 970922 J.K.OH	
CHECKED BY & DATE	
APPROVED BY & DATE	
CAD FILENAME	

DIMENSIONS: <input type="checkbox"/> mm <input type="checkbox"/> INCH <input checked="" type="checkbox"/> mm ONLY		SHT	REV
THIRD ANGLE PROJECTION		REVISE ON CAD ONLY	
TITLE: POWERMATE SP FEMALE ASS'Y 4P			
MOLEX INCORPORATED KOREA			
MATERIAL NO. 352-74-0411	DRAWING NO. SD 35274-0411	SHEET NO. 1/1	
THIS DRAWING CONTAINS INFORMATION THAT IS PROPRIETARY TO MOLEX INCORPORATED AND SHOULD NOT BE USED WITHOUT WRITTEN PERMISSION.			SIZE B



8 7 6 5 4 3 2

MX-A3